

FlexFilter 13 and 18 EX

The FlexFilter 13 and 18 EX are high vacuum filters used in applications with a working vacuum of max. 40.000 Pa (5,80 psi). The filter can be used in applications where there is a high content of explosive dust particles.



The FlexFilter 13 and 18 EX are high vacuum filters used in applications with a working vacuum of max. 40.000 Pa. The filter is made in galvanized steel sheet which makes it a very competitive alternative to other high vacuum filters. The FlexFilter 13 and 18 EX can be used in applications where there is a high content of explosive dust particles. The filter can be supplied with either antistatic cartridges (UniClean) or antistatic cassettes depending on the air flow, the dust type and the dust concentration. The FlexFilter 13 and 18 EX can be delivered in two different heights - type L and A. The Ex-vents 410x410 are supported on the back side to allow vacuum max 0,4 bar. The cartridges/cassettes are cleaned automatically by a high-efficiency, low energy consuming compressed air system activated by an integral electronic controller. The filter is easy to maintain due to the following features:

- Quick release waste bin
- Inspection and change of the filter elements can take place within a few minutes
- Inspection and change of the filter elements can take place within a few minutes




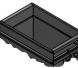
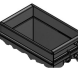
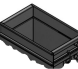

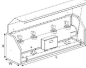
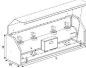
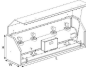
Product name	FlexFilter 13 and 18 EX
Compressed air requirement	6 bar
Installation	Indoor, Outdoor
Material	Housing in galvanised steel sheet (4 mm)
Suitable for combustible dust	True
Filter cleaning method	Pulse jet
Application	Dust
Working pressure (kPa)	Max. 40.000 Pa.(5.80 psi)
Dustbin volume (l)	50 or 100, or whitout
Operating Temperature	-20 to 75 Deg. C.



FlexFilter 13 and 18 EX

Number of filter elements	Model
8	13-C-L EX
8	13-C-A EX
16	18-C-L EX
16	18-C-A EX
2	13-K-L-4 EX
2	13-K-L-6 EX
4	18-K-L-4 EX
4	18-K-L-6 EX

FlexFilter 13 and 18 EX

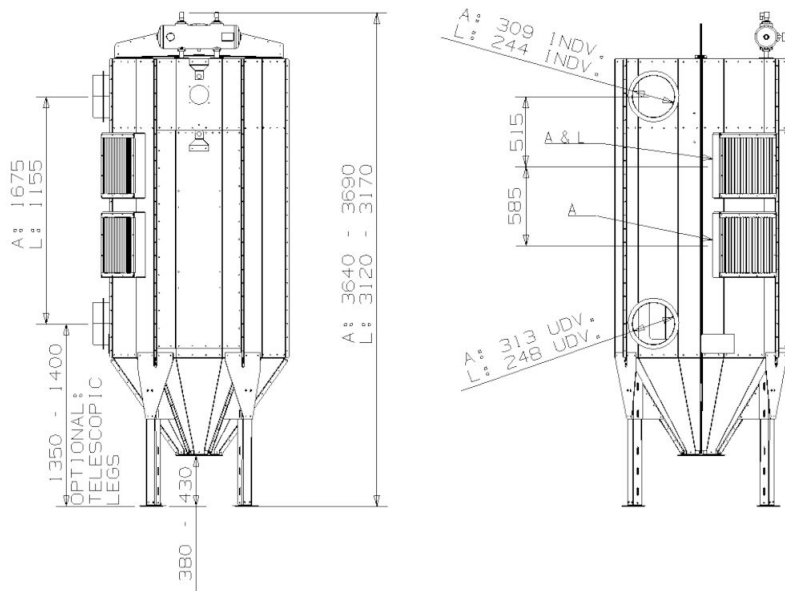
Accessory		Part No
	Discharge bin 50 l without wheels	5501273
	Discharge bin 50 l with wheels	5501274
	Discharge bin 100 l with wheels	5501275
	Adaptor for bin with bag	5505033
	Adaptor for 50 l bin with bag incl. fitting	5505034
	Adaptor for 100 l bin with bag incl. fitting	5505035
	Hose set for bin balancing	5505041
	Isolation box for FM pressure tank, 2 modules	5501317
	Isolation box for FM pressure tank, 4 modules	5501318
	Isolation box for FM pressure tank, 6 modules	5501319
	Isolation box for FM pressure tank, 6 modules	5501320

FlexFilter 13 and 18 EX

Filter type (Bin or rotary valve)	EX vent St1 Pcs	EX vent St2 Pcs	St3 max bar*m/s	Pred bar	Door position	Standard Ex-vent position
FlexFilter-13-C/K-L EX	1	2	Max 600	0,50	A	B
FlexFilter-13-C-A EX	2	2	Max 600	0,50	A	B
FlexFilter-18-C/K-L EX	2	2	Max 600	0,50	A+G	B
FlexFilter-18-C-A EX	2	3	Max 600	0,50	A+G	B

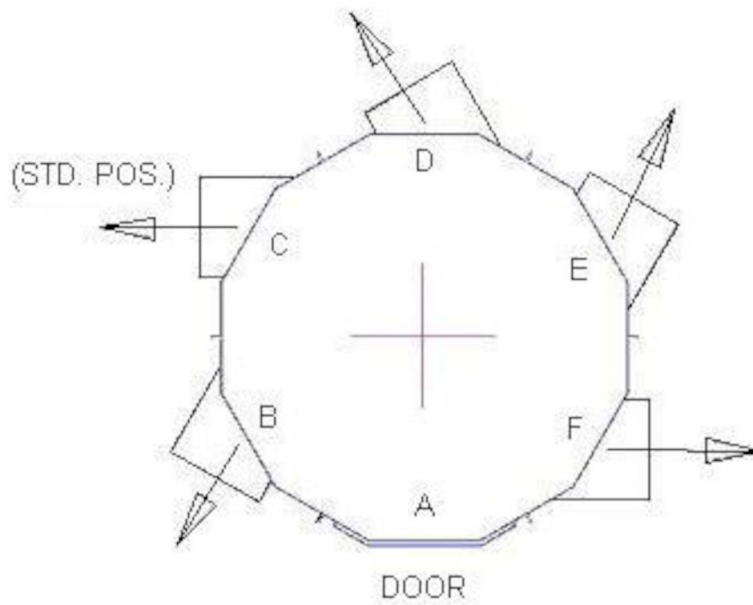
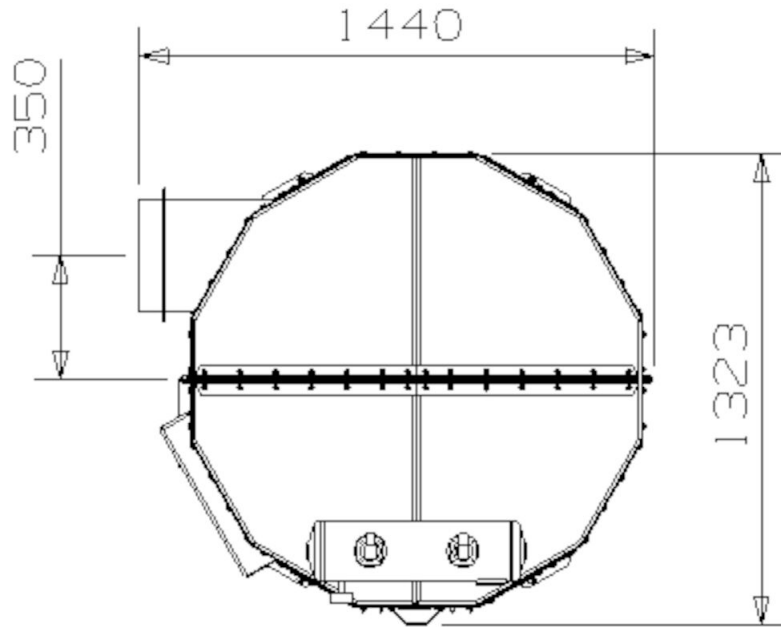
Ex. calculations: according to EN 14491; At one ex-panel: Mounted middle; at 2 or more: One ex-panel mounted at top and at middle position at 1300-1800 types.

St1: Kst 200 bar m/s, Pmax = 9 bar; St2: Kst 300 bar m/s, Pmax = 9 bar; St3: Pmax = 10,5 bar.



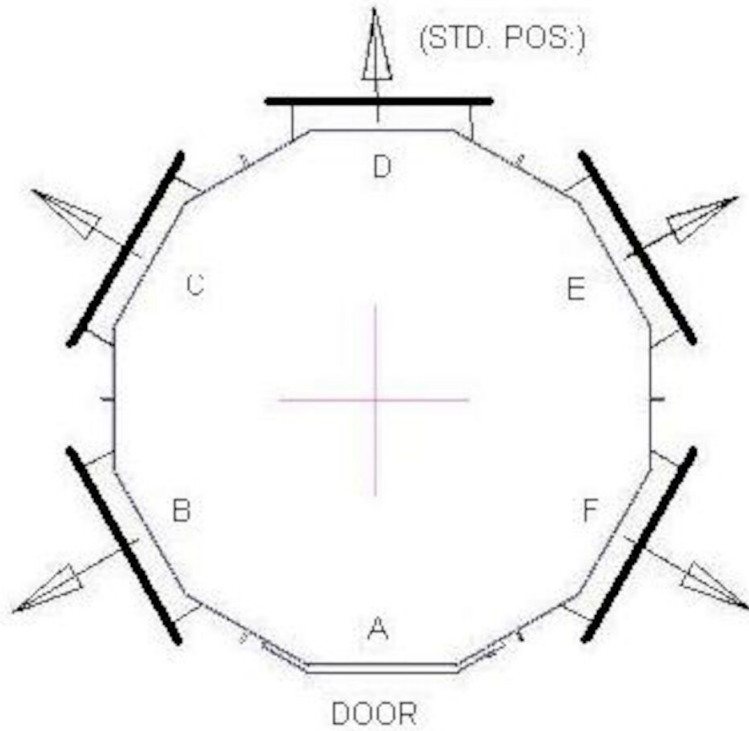
FlexFilter 13 EX L/A

FlexFilter 13 and 18 EX

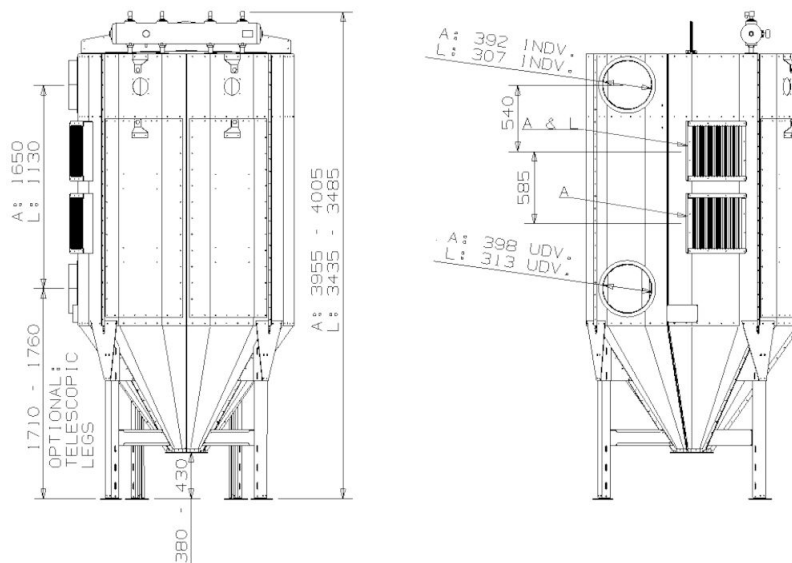


Outlet position, FlexFilter 13 EX L/A

FlexFilter 13 and 18 EX

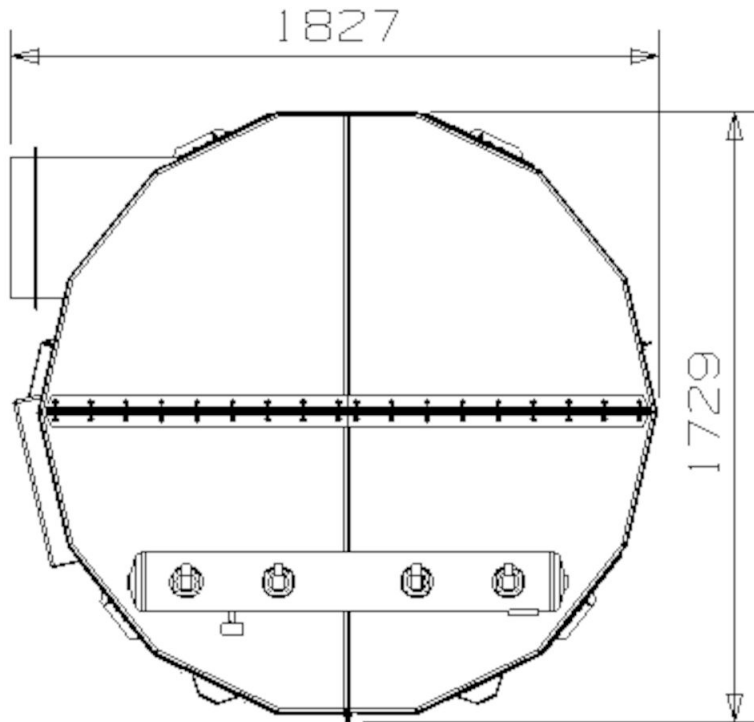


Position of ex-panels, FlexFilter 13 EX L/A

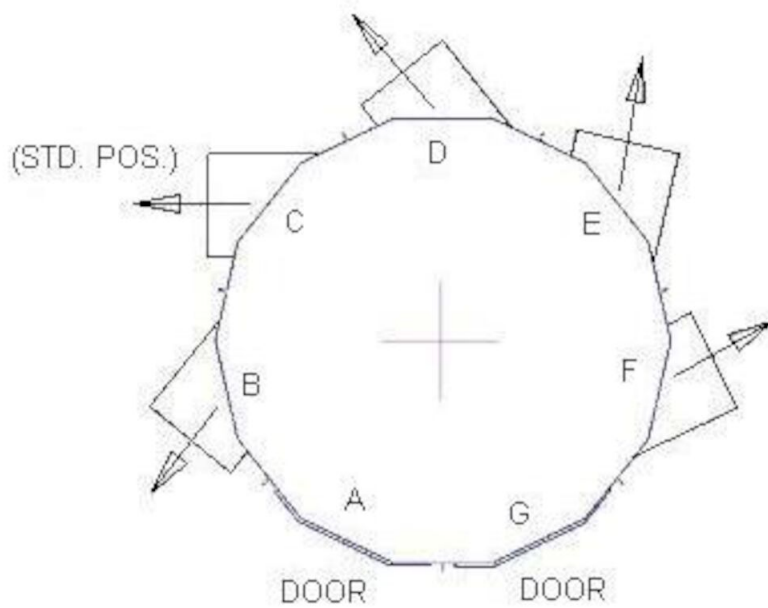


FlexFilter 18 EX L/A

FlexFilter 13 and 18 EX

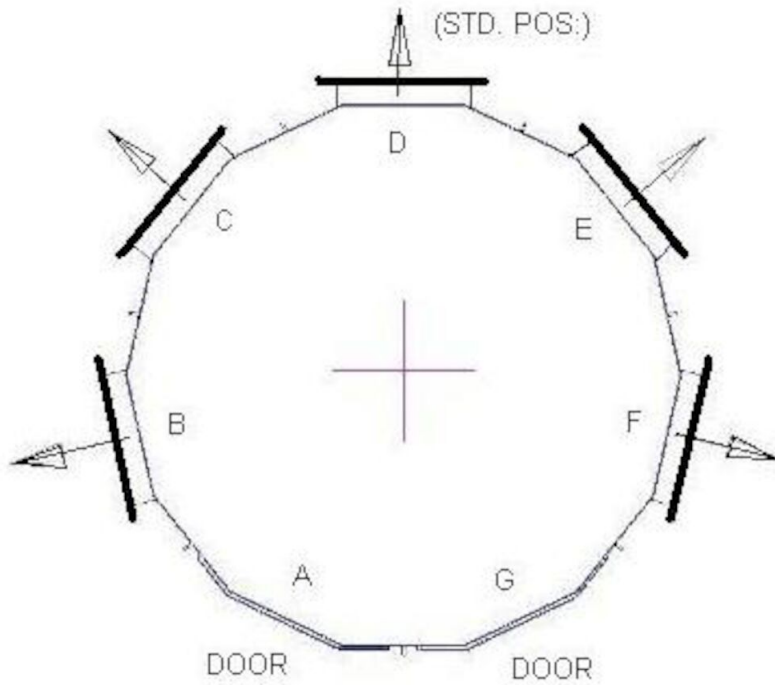


FlexFilter 18 EX L/A, from above



Outlet position, FlexFilter 18 EX L/A

FlexFilter 13 and 18 EX



Position of ex-panels, FlexFilter 18 EX L/A