

FMK - Filtro Cassete

Filtro tipo cassete modular, indicado para uso contínuo em processos industriais.



O FMK25 é coletor de pó cassete por jato reverso. Concebido para uso contínuo em aplicações industriais. O cassete oferece ampla área filtrante e durabilidade maior que o cartucho. Diversos materiais de filtros cassete para maioria das aplicações estão disponíveis, dependendo do tipo de particulado, carga de pó e requisitos de eficiência.

Volume de ar: 1.700 a 10.000 m³/hr.

Construção robusta em aço galvanizado.

Toda manutenção feita na parte frontal do filtro.

- Manuseio de materiais a granel - transporte, peneiramento, mistura, ventilação de depósito / silo
- Fabricação e distribuição de materiais de construção
- Processos com carga leve ou média de poeira
-

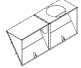


Nome do Produto	FMK - Filtro Cassete
Instalação	Exterior, Interior
Material	Housing in galvanised sheet steel (2mm)
Adequado para poeiras combustíveis	True
Método de limpeza do filtro	Pulso de ar
Application	Fumos, Poeira
Volume do balde (l)	50 or 100 l or whitout
Operating Temperature	-20 to 70 Deg. C.
Tipo de filtro	Cartucho
Material Filtrante	Polyester
Voltagem de controle (V)	230V / 110V



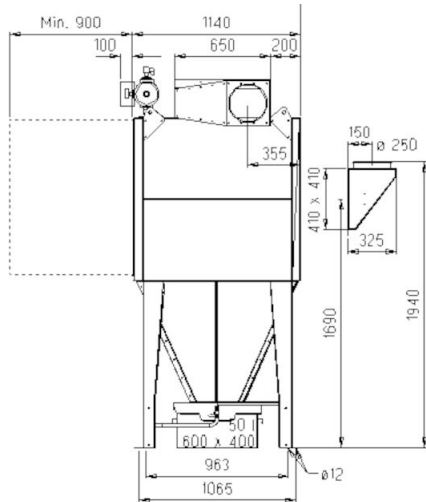
FMK - Filtro Cassete

Descrição	Número de elementos filtrantes	Peso (kg)	[model]
FMK25 - 2E with bin for discharge	4	232 (incl. 50l bin excl. fan)	FMK25-2Eb(4)
FMK25 - 2E with bin for discharge	6	235 (incl. 50l bin excl. fan)	FMK25-2Eb(6)
FMK25 - 4E with bin for discharge	4	423 (incl. 50l bin excl. fan)	FMK25-4Eb(4)
FMK25 - 4E with bin for discharge	6	430 (incl. 50l bin excl. fan)	FMK25-4Eb(6)
FMK25 - 6E with bin for discharge	6	655 (incl. 50l bin excl. fan)	FMK25-6Eb(4)
FMK25 - 6E with bin for discharge	6	665 (incl. 50l bin excl. fan)	FMK25-6Eb(6)
FMK25 - 8E with bin for discharge	4	845 (incl. 50l bin excl. fan)	FMK25-8Eb(4)
FMK25 - 8E with bin for discharge	6	860 (incl. 50l bin excl. fan)	FMK25-8Eb(6)
FMK25 - 2E hopper with flange for discharge	4	212 (excl. fan)	FMK25-2Ef(4)
FMK25 - 2E hopper with flange for discharge	6	215 (excl. fan)	FMK25-2Ef(6)
FMK25 - 4E hopper with flange for discharge	4	403 (excl. fan)	FMK25-4Ef(4)
FMK25 - 4E hopper with flange for discharge	6	410 (excl. fan)	FMK25-4Ef(6)
FMK25 - 6E hopper with flange for discharge	4	615 (excl. fan)	FMK25-6Ef(4)
FMK25 - 6E hopper with flange for discharge	6	625 (excl. fan)	FMK25-6Ef(6)
FMK25 - 8E hopper with flange for discharge	4	805 (excl. fan)	FMK25-8Ef(4)
FMK25 - 8E hopper with flange for discharge	6	820 (excl. fan)	FMK25-8Ef(6)

FMK - Filtro Cassete

	[accessory]	[partno]
	Single backpack for 4 modules	5509660
	Single backpack for 4 modules round inlet from the top	5501138
	Single backpack for 8 modules round inlet from the top pos L	5501169
	Double backpack for 4 modules	5509661
	Isolation box for FM pressure tank, 2 modules	5501317
	Isolation box for FM pressure tank, 4 modules	5501318
	Isolation box for FM pressure tank, 6 modules	5501319
	Isolation box for FM pressure tank, 6 modules	5501320
	Noise enclosure for FM800 fan	5501783

FMK - Filtro Cassete

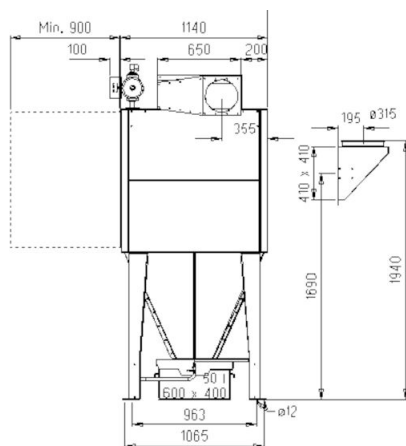
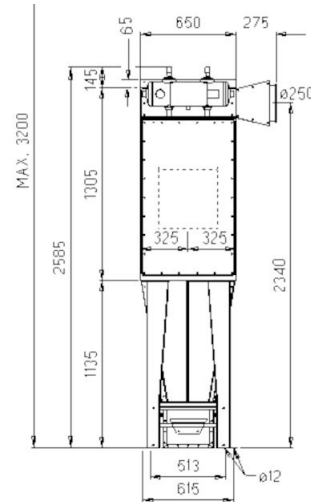


FMK(Z)25-2E Bin

All dimensions in mm.

If 50 liter bin with rollers, add 90 mm.

* 65 mm to be included at top mounted fan

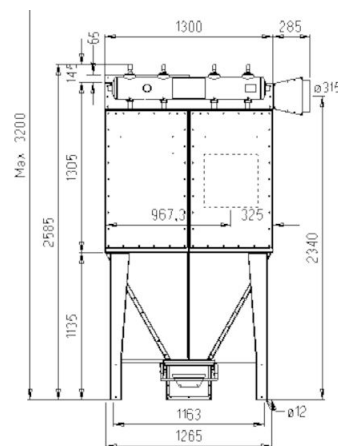


FMK(Z)25-4E Bin

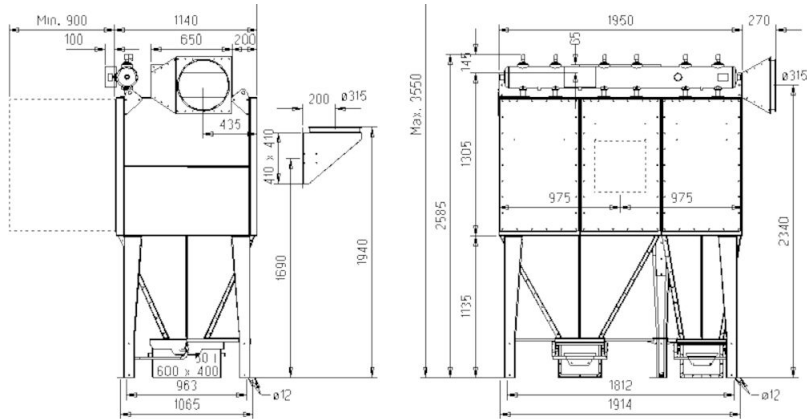
All dimensions in mm.

If 50 liter bin with rollers, add 90 mm.

* 65 mm to be included at top mounted fan



FMK - Filtro Cassete

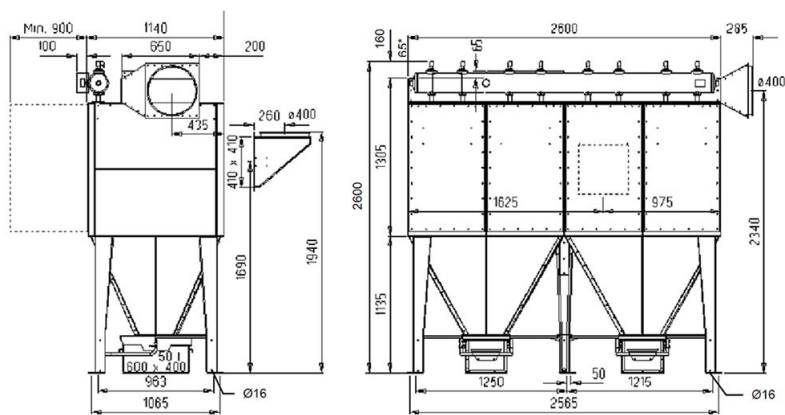


FMK(Z)25-6E Bin

All dimensions in mm.

If 50 liter bin with rollers, add 90 mm.

* 65 mm to be included at top mounted fan



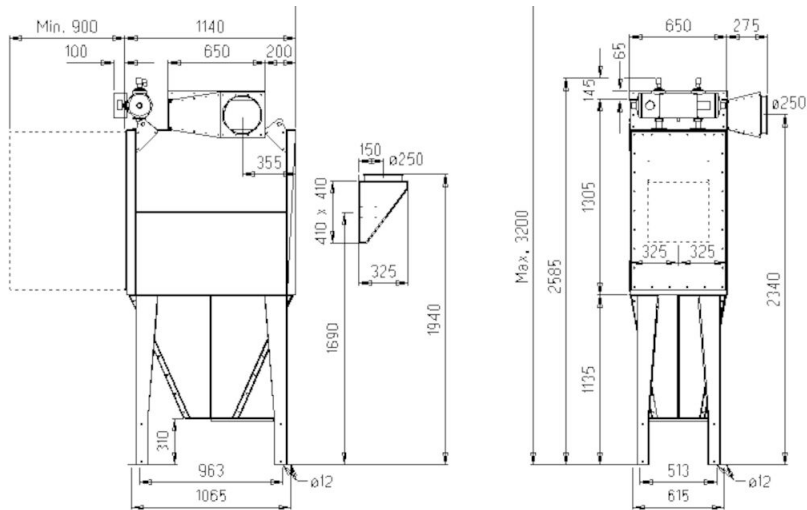
MK(Z)25-8E Bin

All dimensions in mm.

If 50 liter bin with rollers, add 90 mm.

* 65 mm to be included at top mounted fan

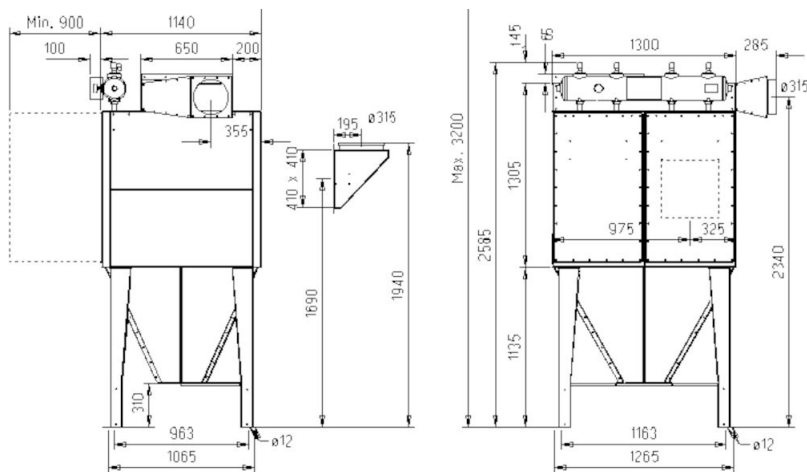
FMK - Filtro Cassete



FMK(Z)25-2E Flange

All dimensions in mm.

* 65 mm to be included at top mounted fan.

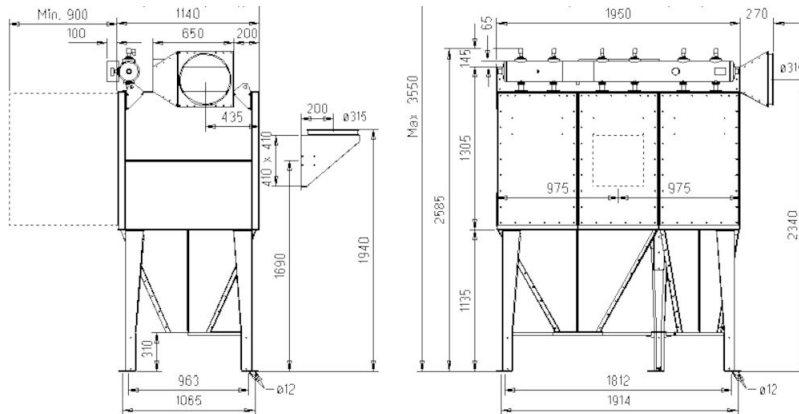


MK(Z)25-4E Flange

All dimensions in mm.

* 65 mm to be included at top mounted fan.

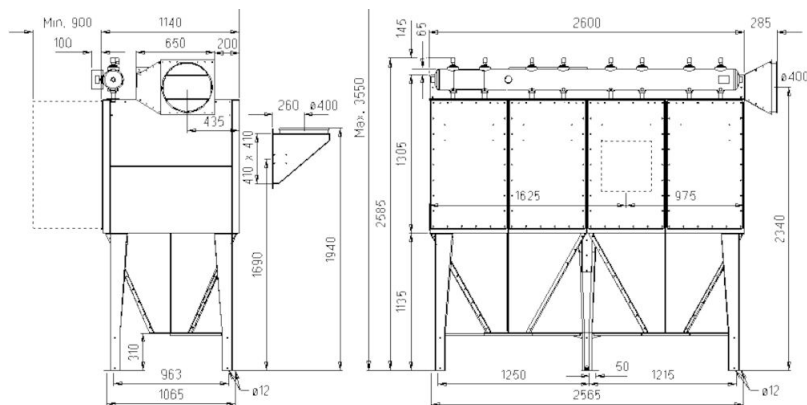
FMK - Filtro Cassete



FMK(Z)25-6E Flange

All dimensions in mm.

* 65 mm to be included at top mounted fan.



MK(Z)25-8E Flange

All dimensions in mm.

* 65 mm to be included at top mounted fan.