

FMK cassette filter

Modular cassette dust collector, built for continuous use in industrial process filtration and dust collection applications



The FMK25 range is a reverse jet cassette dust collector. It was built for continuous use in industrial process filtration and dust collection applications. The FMK dust collector uses our long established fabric pocket cassette that is easily maintained through the front hinged doors. The cassette offers ample filter area and lasts longer than a cartridge. Filter cassette materials for most applications are available, dependent on dust type, dust load and efficiency requirements.

Air Volume Range: 1.700 to 10.000 m³/hr (1,000 to 6,000 CFM)

Tough galvanised steel construction.
Weatherproof for exposed locations.
Integral pre-separation chamber.
All maintenance from unit front.
Efficient cross flow / down flow inlet air pattern.
Wide range of integral or remote fans.

Inlet and outlet dimensions 160, 250, 315, 400, 500 or 560 mm.

Measurement of differential pressure and control of the cleaning system: DFC-8M, energy supply 230 V - 50 Hz, 110V - 60 Hz.

Bulk materials handling - conveying, screening, sieving, mixing, bin/silo venting
Building materials manufacture and distribution
Processes with light or medium dust loading

品名	FMK cassette filter
安装	室外, 室内
材料	Housing in galvanised sheet steel (2mm)
适用于易爆粉尘	True
清灰方式	脉冲清灰
应用	烟气, 粉尘
灰斗容量	50 or 100 l or whitout
工作温度	-20 to 70 Deg. C.
除尘器类型	滤桶式过滤器
滤芯	Polyester
控制电压 (V)	230V / 110V



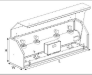



FMK cassette filter

产品名称	滤芯数量	重量 (公斤)	产品编号
FMK25 – 2E with bin for discharge	4	232 (incl. 50l bin excl. fan)	FMK25–2Eb(4)
FMK25 – 2E with bin for discharge	6	235 (incl. 50l bin excl. fan)	FMK25–2Eb(6)
FMK25 – 4E with bin for discharge	4	423 (incl. 50l bin excl. fan)	FMK25–4Eb(4)
FMK25 – 4E with bin for discharge	6	430 (incl. 50l bin excl. fan)	FMK25–4Eb(6)
FMK25 – 6E with bin for discharge	6	655 (incl. 50l bin excl. fan)	FMK25–6Eb(4)
FMK25 – 6E with bin for discharge	6	665 (incl. 50l bin excl. fan)	FMK25–6Eb(6)
FMK25 – 8E with bin for discharge	4	845 (incl. 50l bin excl. fan)	FMK25–8Eb(4)
FMK25 – 8E with bin for discharge	6	860 (incl. 50l bin excl. fan)	FMK25–8Eb(6)
FMK25 – 2E hopper with flange for discharge	4	212 (excl. fan)	FMK25–2Ef(4)
FMK25 – 2E hopper with flange for discharge	6	215 (excl. fan)	FMK25–2Ef(6)
FMK25 – 4E hopper with flange for discharge	4	403 (excl. fan)	FMK25–4Ef(4)
FMK25 – 4E hopper with flange for discharge	6	410 (excl. fan)	FMK25–4Ef(6)
FMK25 – 6E hopper with flange for discharge	4	615 (excl. fan)	FMK25–6Ef(4)
FMK25 – 6E hopper with flange for discharge	6	625 (excl. fan)	FMK25–6Ef(6)
FMK25 – 6E hopper with flange for discharge	4	805 (excl. fan)	FMK25–8Ef(4)
FMK25 – 6E hopper with flange for discharge	6	820 (excl. fan)	FMK25–8Ef(6)

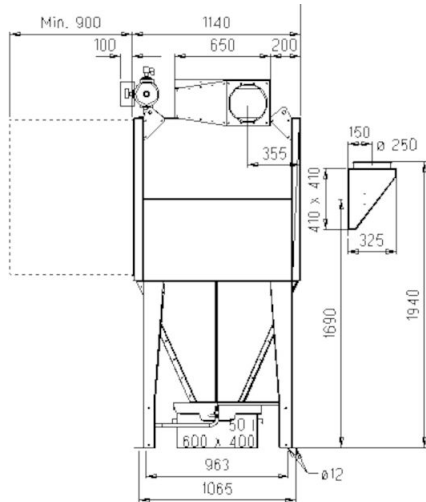
FMK cassette filter

	附件	产品编号
	Damper type NFUS3	5501395
	Discharge bin 50 l with wheels	5501274
	Discharge bin 50 l without wheels	5501273
	Discharge bin 100 l with wheels	5501275
	Adaptor for bin with bag	5505033
	Adaptor for 50 l bin with bag incl. fitting	5505034
	Adaptor for 100 l bin with bag incl. fitting	5505035
	Single backpack for 4 modules	5509660
	Single backpack for 4 modules round inlet from the top	5501138
	Single backpack for 8 modules round inlet from the top pos L	5501169
	Double backpack for 4 modules	5509661
	DUAL silencer for FM600 series fan with air grille	5501813
	DUAL silencer for FM6800 series fan with air grille	5501830
	DUAL silencer for FM1000 series fan with air grille	5501854
	DUAL silencer for FM600 series fan with air grille and rain cover	5501814
	DUAL silencer for FM6800 series fan with air grille and rain cover	5501832
	DUAL silencer for FM1000 series fan with air grille and rain cover	5501855
	DUAL silencer for FM600 series fan with flanged outlet for duct connection	5501815
	DUAL silencer for FM6800 series fan with flanged outlet for duct connection	5501833
	DUAL silencer for FM1000 series fan with flanged outlet for duct connection	5501856
	Isolation box for FM pressure tank, 2 modules	5501317
	Isolation box for FM pressure tank, 4 modules	5501318

FMK cassette filter

附件		产品编号
	Isolation box for FM pressure tank, 6 modules	5501319
	Isolation box for FM pressure tank, 6 modules	5501320
	Level sensor with beacon, 230V	5504475
	Cable gland M40 for levelsensor	5512245
	Noise enclosure for FM800 fan	5501783

FMK cassette filter

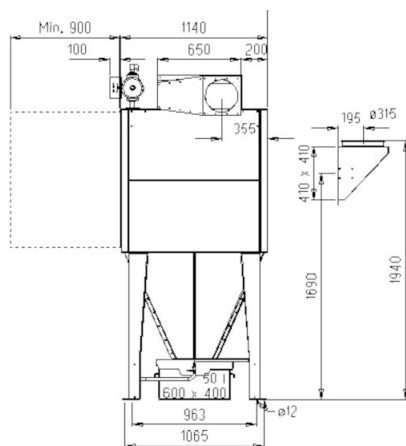
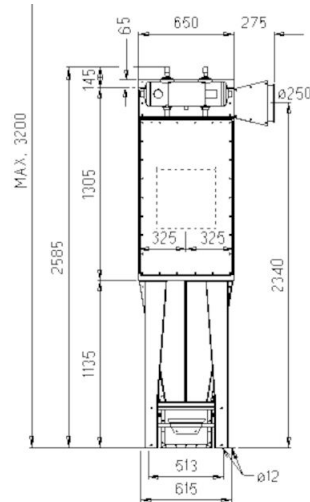


FMK(Z)25-2E Bin

All dimensions in mm.

If 50 liter bin with rollers, add 90 mm.

* 65 mm to be included at top mounted fan

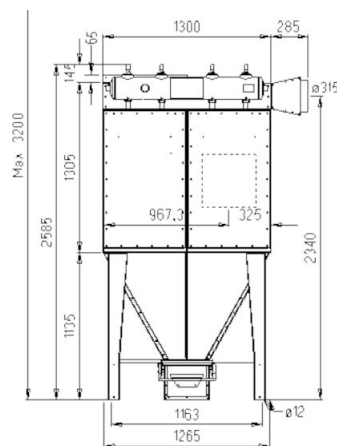


FMK(Z)25-4E Bin

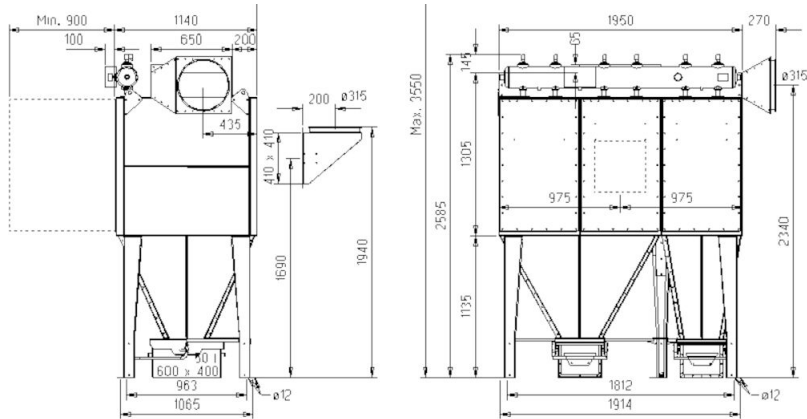
All dimensions in mm.

If 50 liter bin with rollers, add 90 mm.

* 65 mm to be included at top mounted fan



FMK cassette filter

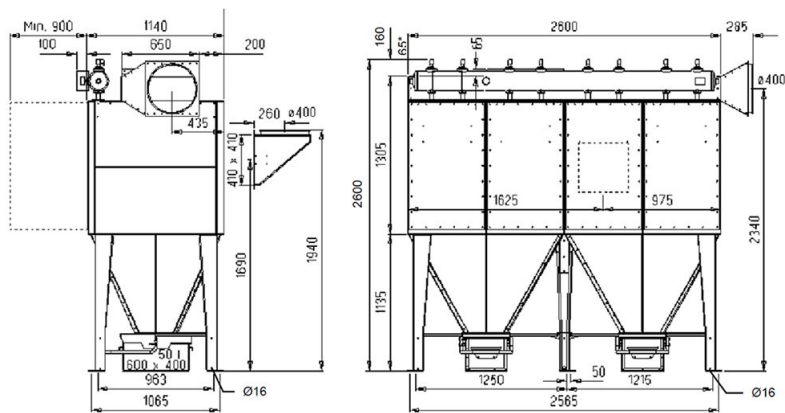


FMK(Z)25-6E Bin

All dimensions in mm.

If 50 liter bin with rollers, add 90 mm.

* 65 mm to be included at top mounted fan



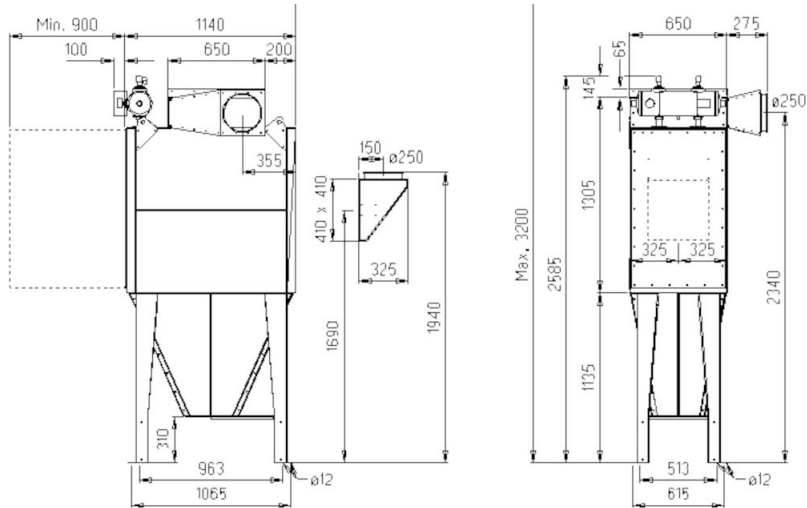
MK(Z)25-8E Bin

All dimensions in mm.

If 50 liter bin with rollers, add 90 mm.

* 65 mm to be included at top mounted fan

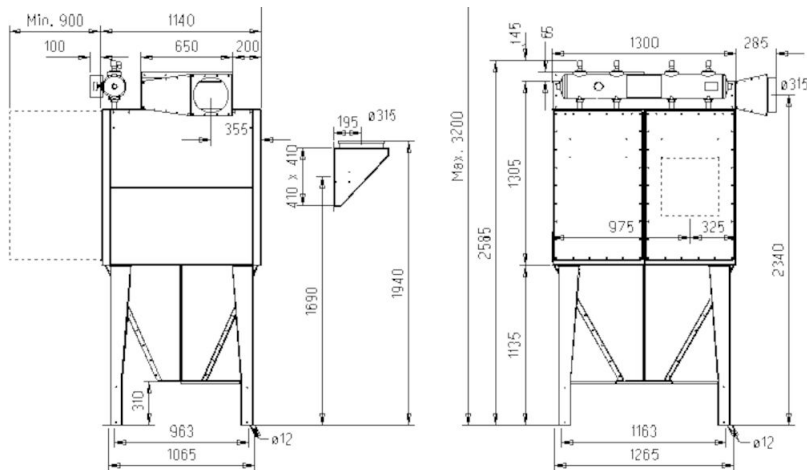
FMK cassette filter



FMK(Z)25-2E Flange

All dimensions in mm.

* 65 mm to be included at top mounted fan.

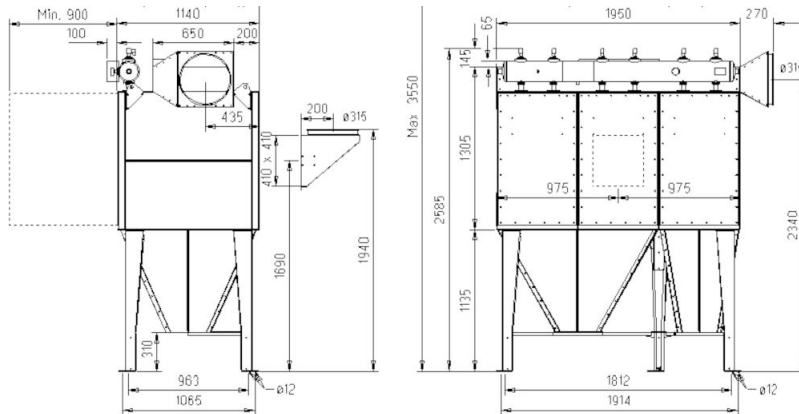


MK(Z)25-4E Flange

All dimensions in mm.

* 65 mm to be included at top mounted fan.

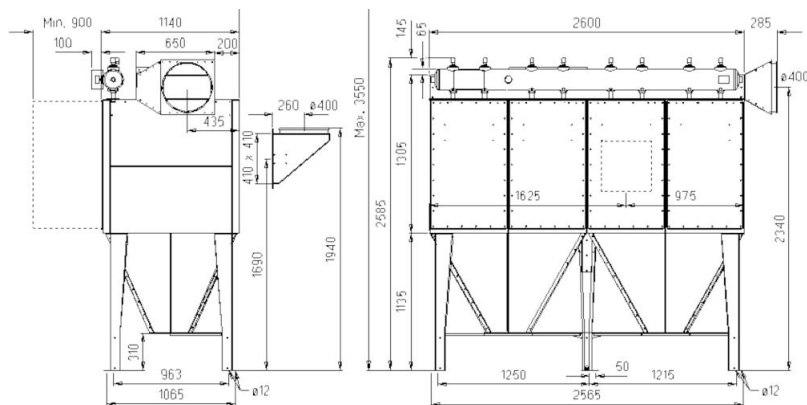
FMK cassette filter



FMK(Z)25-6E Flange

All dimensions in mm.

* 65 mm to be included at top mounted fan.



MK(Z)25-8E Flange

All dimensions in mm.

* 65 mm to be included at top mounted fan.