

MJC cartridge dust collector

Reverse jet tubular bag dust collectors for many applications that generate light to heavy volumes of any dust



Suitable for many different applications that generate light to heavy volumes of any dust

The MJC range of reverse jet tubular bag dust collectors was developed for continuous operation in industrial process filtration and dust collection applications; incorporating patented Nederman UniClean cartridge technology for maximum cleaning efficiency and extended life.

Air Volume Range: 1.700 to 68.000 m³/hr (1,000 to 40,000 CFM)

Cleaning controller type NF8HD250 in IP65 enclosure, supply voltage 230/220/110V.

Key features:

Standard filter range from 48 to 739m² (517 to 7,955 ft²); larger units possible

Typical airflow volumes up to 60.000m³/h (35,340 CFM), or more, subject to application

Robust weatherproof welded steel construction

Space saving integral fans from 0.75 to 18.5kW (1 to 25hp)

Independently tested with ATEX compliant features for St1, St2 and St3 dusts

Integral pre-separation chamber, cross flow / down flow inlet air pattern

Wide range of discharge and waste handling options

Typical dust control and process applications:

-
- Suitable for many different applications that generate light to heavy volumes of any dust

The MJC range of reverse jet tubular bag dust collectors was developed for continuous operation in industrial process filtration and dust collection applications; incorporating patented Nederman UniClean cartridge technology for maximum cleaning efficiency and extended life.

Air Volume Range: 1.700 to 68.000 m³/hr (1,000 to 40,000 CFM)

Cleaning controller type NF8HD250 in IP65 enclosure, supply voltage 230/220/110V.

Key features:

Standard filter range from 48 to 739m² (517 to 7,955 ft²); larger units possible

Typical airflow volumes up to 60.000m³/h (35,340 CFM), or more, subject to application

Robust weatherproof welded steel construction

Space saving integral fans from 0.75 to 18.5kW (1 to 25hp)

Independently tested with ATEX compliant features for St1, St2 and St3 dusts

MJC cartridge dust collector

Integral pre-separation chamber, cross flow / down flow inlet air pattern

Wide range of discharge and waste handling options

Typical dust control and process applications:

- Shot, sand and bead blasting
- Shot, sand and bead blasting
- Welding and cutting – laser, plasma, arc
- Chemical, plastics and pharmaceutical powders

Product name	MJC cartridge dust collector
Standard	2014/34/EC, 2004/108/EC, 2006/95/EC, EN 13463-1, EN 60204-1
Compressed air consumption	-8,0 to 5,5
Installation	[Indoor], [Outdoor]
Material	Housing: 2,0mm welded painted steel Clean air chamber: 2,0mm thick steel Dirty air chamber 2,0mm or 3,0mm Hopper typically 2,5mm thick.
Suitable for combustible dust	True
Filter cleaning method	[PulseJet]
Application	[dust], [grit], [fumes]
Working pressure (kPa)	Standard: -8,0 to 2,0 Optional: -15,0 to 5,0
Dustbin volume (l)	75
Filter Area (m²)	48 to 739
Capacity (max airflow m³/h)	190000
Operating Temperature	-10 to 80 Deg. C.
Filter type	[cartridge]
Filter material	Polyester



Grit Fumes Dust

MJC cartridge dust collector

Description	Number of filter elements	[model]
MJC 64/40/44	16	MJC64/40/45*
MJC 80/40/54	20	MJC80/40/55*
MJC 96/40/38	24	MJC96/40/39**
MJC 128/40/48	32	MJC128/40/49**
MJC 160/40/58	40	MJC160/40/59**
MJC 192/40/68	48	MJC192/40/69**
MJC 224/40/78	56	MJC224/40/79**
MJC 256/40/88	64	MJC256/40/89**
MJC 288/40/98	72	MJC288/40/99**

*Unit has built-in pre-separation chamber at rear

**Unit has built-in pre-separation chamber at side, left or right

MJC cartridge dust collector

Fan size	Fan + silencer	Dimension F
[kW]	[kg]	[mm]
up to 3,0	67	1396
4,0 to 7,5-S	108	1685
7,5-L to 18,5	188	1850

Fan size data

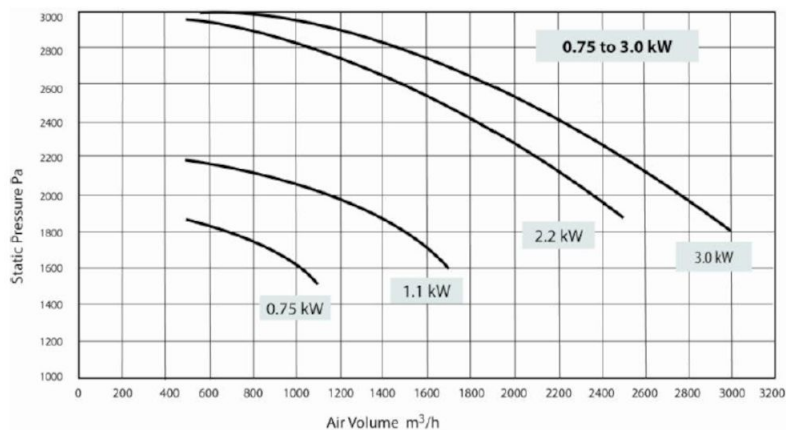
MJC Unit Type 40 cartridges	A1 Clean air chamber (CAC) width	A2 Add for side pre- separation chamber	A Dirty air Chamber (DAC) hopper width	B Depth of clean and dirty air chamber and hopper	C CAC plus DAC plus hopper height	D Dirty air chamber height	E Hopper height 75 litre bin	Typical weights using normal construction kg		No. of bins
								Filter Unit	Hopper	
NOTE: Three units below have built-in pre-separation chamber at rear										
48/40/43	1150	N/A	1150	1220	3395	1050	1467	385	354	1
64/40/44	1500	N/A	1500	1570	3755	1050	1867	622	490	1
80/40/54	1850	N/A	1850	1570	3935	1050	2007	723	558	1
NOTE: Seven units below have built-in pre-separation chamber at side, left or right										
96/40/38	1150	350	1500	2095	4195	1050	2267	770	716	1
128/40/48	1500	700	2200	2095	4365	1050	2437	834	852	1
160/40/58	1850	700	2550	2095	4195	1050	2267	985	957	2
192/40/68	1850	700	2550	2095	4195	1050	2267	1017	957	2
224/40/78	2200	700	2900	2095	4195	1050	2267	1155	1025	2
256/40/88	2550	700	3250	2095	4195	1050	2267	1347	1093	2
288/40/98	2900	700	3600	2095	4195	1050	2267	1512	1161	2

MJC Type 40 (4.0 m² cartridge) options

MJC cartridge dust collector

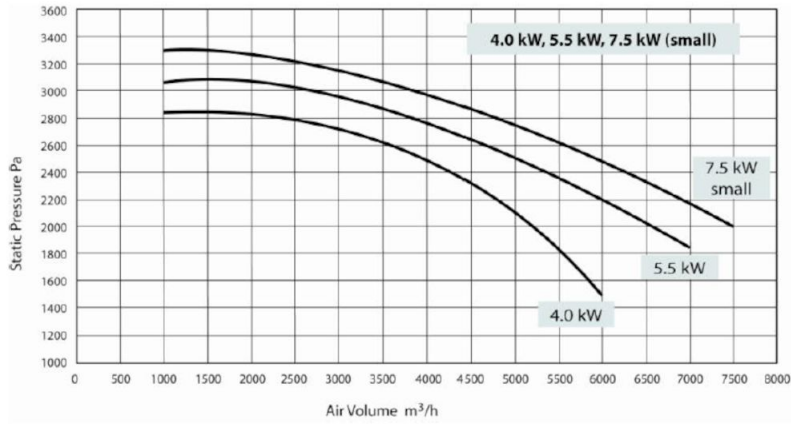
MJC Unit Type 66 cartridges	A1 Clean air chamber (CAC) width	A2 Add for side pre- separation chamber	A Dirty air Chamber (DAC) hopper width	B Depth of clean and dirty air chamber and hopper	C CAC plus DAC plus hopper height	D Dirty air chamber height	E Hopper height 75 litre bin	Typical weights using normal construction kg		No. of bins
								Filter Unit	Hopper	
NOTE: Three units below have built-in pre-separation chamber at rear										
60/66/33	1150	0	1150	1220	3765	1420	1467	441	354	1
79/66/43	1150	0	1150	1220	3765	1420	1467	458	354	1
105/66/44	1500	0	1500	1570	4125	1420	1827	721	490	1
132/66/54	1850	0	1850	1570	4305	1420	2007	837	558	1
NOTE: Seven units below have built-in pre-separation chamber at side, left or right										
158/66/38	1150	350	1150	2095	4565	1420	2267	852	716	1
211/66/48	1500	700	2200	2095	4735	1420	2437	936	852	1
264/66/58	1850	700	2550	2095	4565	1420	2267	1102	957	2
316/66/68	1850	700	2550	2095	4565	1420	2267	1142	957	2
369/66/78	2200	700	2900	2095	4565	1420	2267	1299	1025	2
422/66/88	2550	700	3250	2095	4565	1420	2267	1500	1093	2
475/66/98	2900	700	3600	2095	4565	1420	2267	1679	1161	2
NOTE: Five units below have built-in pre-separation chamber in the centre										
528/66/10-8	3550	950	4300	2095	4735	1420	2437	2001	1297	2
580/66/11-8	3700	950	4650	2095	4565	1420	2267	2167	1423	3
634/66/12-8	3700	950	4650	2095	4565	1420	2267	2212	1423	3
686/66/13-8	4050	950	5000	2095	4565	1420	2267	2372	1491	3
739/66/14-8	4400	1300	5700	2095	4735	1420	2437	2532	1560	3

MJC Type 66 (6,6 m² cartridge) options

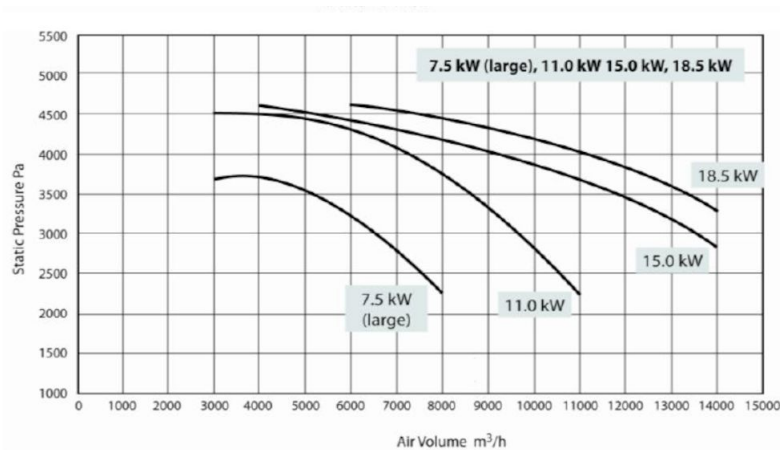


Performance of standard integral fan 0,75 - 3,0 kW, with open outlet, at running speed 2900/min.

MJC cartridge dust collector



Performance of standard integral fan 4,0 - 7,5 kW, with open outlet, at running speed 2900/min.

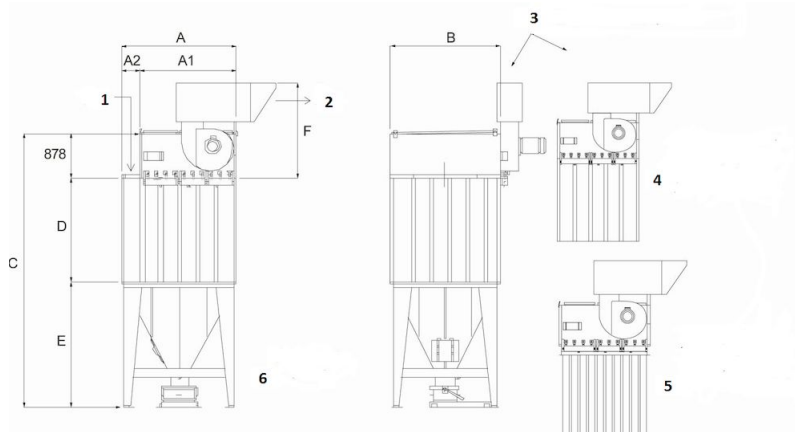


Performance of standard integral fan 7,5 - 18,5 kW, with open outlet, at running speed 2900/min.

MJC cartridge dust collector



Fans



Front and side view of standard MJC complete with typical fan and silencer, mounted on a bin hopper. Rotary valve, flap valve and other discharge options available.

Explanation figures:

- 1) Air inlet
- 2) Air outlet
- 3) Fan and silencer optional
- 4) Open base venting whit mounting flange at base of dirty air chamber
- 5) Insertable venting unit whit mounting flange at base of clean air chamber
- 6) Hopper outlet flange