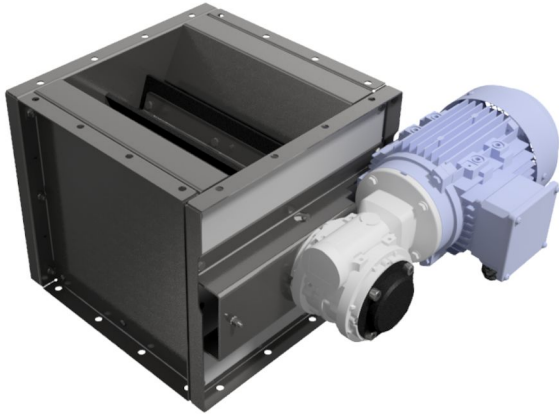


## NRSZ 3, rotary valves

Continuously empty combustible dust from your dust collector



NRSZ3 rotary valve with ATEX certificate St1 and St2

The rotary valve type NRSZ3 is used for continuous emptying of material from the dust collector.

The rotary valve can be used for emptying of several non-adhesive material types. Max. particle size for the NRSZ3 is 3 x 3 x 10 mm (.1 x .1 x .4 in.)

- **NRSZ3 rotary valve with ATEX certificate St1 and St2**

The rotary valve type NRSZ3 is used for continuous emptying of material from the dust collector.

The rotary valve can be used for emptying of several non-adhesive material types. Max. particle size for the NRSZ3 is 3 x 3 x 10 mm (.1 x .1 x .4 in.)

**NRSZ rotary valves 10, 20 and 30**

The NRS type rotary valve is used to transfer material between two separate systems. In pneumatic conveying systems discharge is usually required from the filter or cyclone to the silo, at atmospheric pressure. This is an ideal application for the NRS type rotary valve.

The rotary valve can be used for most material types, though the particle size must not exceed 13 x 13 x 13 mm (.5 x .5 x .5 in.).

<b>Product name</b>	NRSZ 3, rotary valves
<b>Installation</b>	[Indoor], [Outdoor]
<b>Material</b>	Heavy steel plate
<b>Suitable for combustible dust</b>	True
<b>Application</b>	[dust]
<b>Operating Temperature</b>	-20 to 40 Deg. C.
<b>Weight (kg)</b>	32
<b>Power (kW)</b>	0,18



## NRSZ 3, rotary valves

[model]
5502157
5507226
5502158

## NRSZ 3, rotary valves

List of Types:

ID	A	B*	C	D	E [kW]	F**	H [kg]
5502157	NRSZ 3-7	Rubber <sup>1)</sup>	Non-zone	2,3 m <sup>3</sup> /h	0,18	-	32
5507226	NRSZ 3-7 Cat 2		Zone 21			EX II 2DT4	
5502158	NRSZ 3-7 Cat 3		Zone 22			EX II 3DT4	

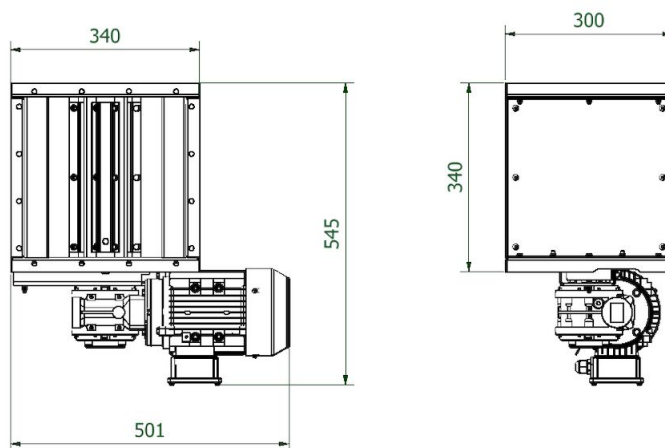
- A) Type-Model
- B) Blades Material, 1) Rubber
- \*) Polyurethane blades available only on request.
- C) Installation zone exterior of NRSZ
- D) Capacity at 100% filling
- E) Motor
- F) Motor ATEX Marking
- \*\*\*) T4: Max. surface temperature 135°C.
- H) Weight

ATEX limitations NRSZ 3:

A	B*	p <sub>exp</sub> ,max [kPa]		C [rpm]
		St1 Kst <sub>max</sub> =20 MPa.m.s <sup>-1</sup>	St2 Kst <sub>max</sub> =30 MPa.m.s <sup>-1</sup>	
NRSZ 3	Rubber <sup>1)</sup>	80	80	10

- A) Rotary valves type:
- B) Blade material, 1) Rubber
- \*Polyurethane blades available only on request.
- C) Rotation speed max.

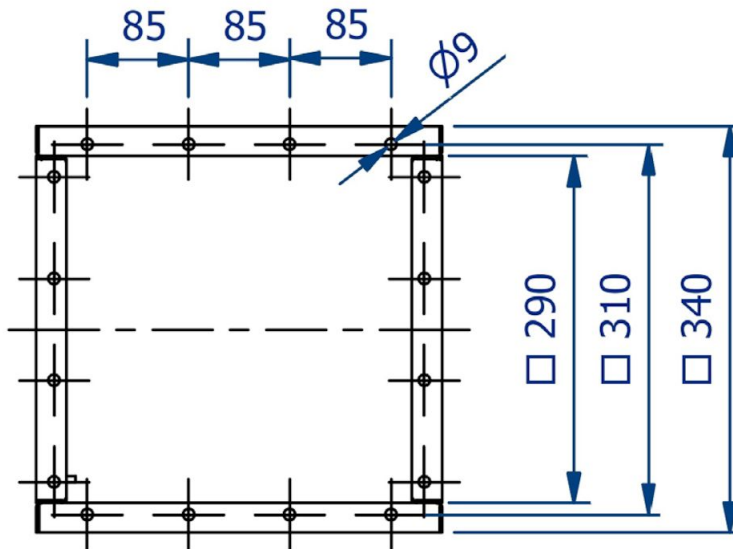
Dimensions NRS 3 / NRSZ 3



Dimensions NRS 3

# NRSZ 3, rotary valves

Dimension inlet NRSZ3:



Dimension inlet NRSZ3