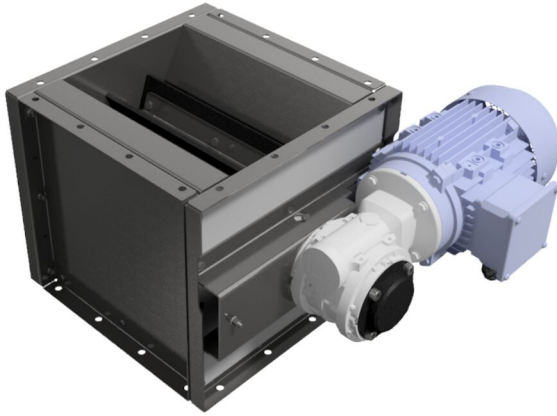


NRSZ 3, rotary valves

Continuously empty combustible dust from your dust collector



NRSZ3 rotary valve with ATEX certificate St1 and St2

The rotary valve type NRSZ3 is used for continuous emptying of material from the dust collector.

The rotary valve can be used for emptying of several non-adhesive material types. Max. particle size for the NRSZ3 is 3 x 3 x 10 mm (.1 x .1 x .4 in.)

- NRSZ3 rotary valve with ATEX certificate St1 and St2
The rotary valve type NRSZ3 is used for continuous emptying of material from the dust collector.

The rotary valve can be used for emptying of several non-adhesive material types. Max. particle size for the NRSZ3 is 3 x 3 x 10 mm (.1 x .1 x .4 in.)

NRSZ rotary valves 10, 20 and 30

The NRS type rotary valve is used to transfer material between two separate systems. In pneumatic conveying systems discharge is usually required from the filter or cyclone to the silo, at atmospheric pressure. This is an ideal application for the NRS type rotary valve.

The rotary valve can be used for most material types, though the particle size must not exceed 13 x 13 x 13 mm (.5 x .5 x .5 in).

- Robust construction.
- Effective air lock between the inlet and outlet provided due to the special rubber blades.

Product name	NRSZ 3, rotary valves
Noise level (dB(A))	< 70
Installation	Indoor, Outdoor
Material	Galvanised steel plate
Suitable for combustible dust	True
Application	Dust
Operating Temperature	-4 to 104 F (-20 to 40 C)
Weight (lbs)	32
Power (Hp)	0,18



Dust

NRSZ 3, rotary valves

Model
73008863*
73009044**
73008862*
73008864*
73009227*

*Capacity at 100% filling - 2,3 m³/h

**Without motor

NRSZ 3, rotary valves

Accessory		Part No
	Speed sensor NRS/Z/-3	5507220

NRSZ 3, rotary valves

Atex limitations

Rotary valve type	P _{red,max} [kPa]		Rotation speed max [rpm]
	St1 K _{st,max} *=20 MPa·m/s	St2 K _{st,max} *=30 MPa·m/s	
NRSZ 3	40	40	10

*K_{st} for organic dust

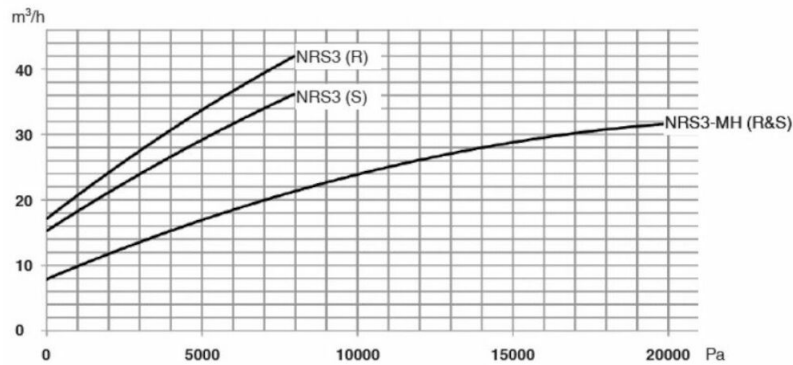
The combustible dust is described by the parameters:

The limit values of the used class of dust St1: K_{st,max}=20 MPa·m/s, MIE ≥13 mJ, MIT ≥430°C (of a dust cloud).

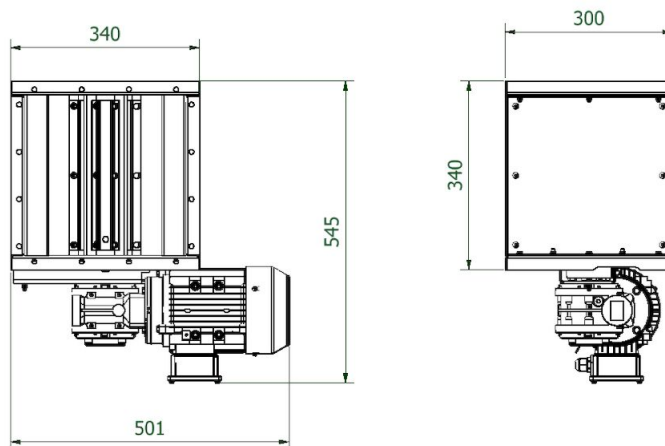
The limit values of the used class of dust St2: K_{st,max}=30 MPa·m/s, MIE ≥2 mJ, MIT ≥520°C (of a dust cloud).

Leakage

The leakage of the rotary valve during shutdown (S) and during operation (R) depends on the pressure drop over the rotor. See the diagramme.



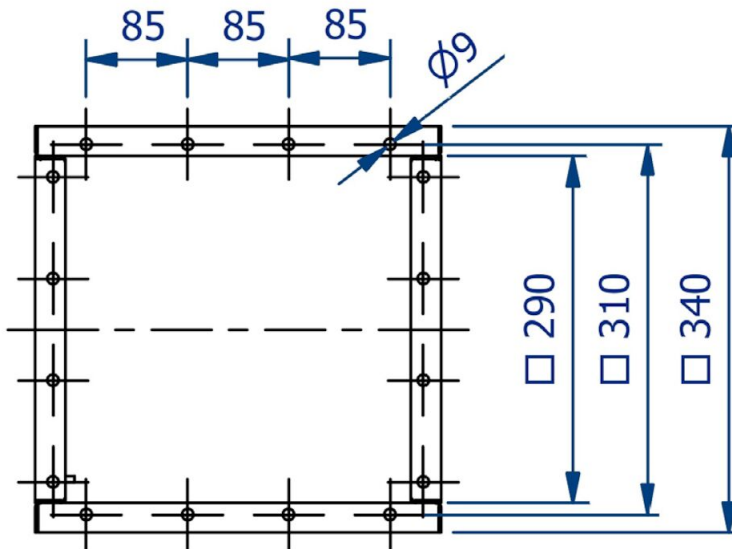
Dimensions NRS 3 / NRSZ 3



Dimensions NRS 3

NRSZ 3, rotary valves

Dimension inlet NRSZ3:



Dimension inlet NRSZ3