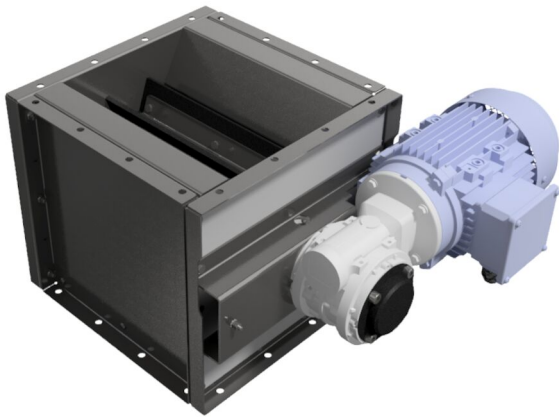


NRSZ 3 rotary valves

Continuous emptying of the dust collector hopper.



The NRSZ type rotary valve is used to transfer material between two separate systems. In pneumatic conveying systems, discharge is usually required from the filter or cyclone to the silo, at atmospheric pressure. This is an ideal application for the NRSZ type rotary valve.

The rotary valve can be used for emptying of several non-adhesive material types, also combustible dust. Max. particle size for the NRSZ 3 is 3 x 3 x 10 mm (.1 x .1 x .4 in.)

The rotary valve should not work with highly abrasive dust.

The NRSZ rotary valve is made explosion pressure shock resistant. It prevents the transmission of the explosion effects, pressure wave, flame and sparkles until its maximum reduced explosion pressure Pred,Max. in both directions of the divided space with dangerous atmosphere of the flammable dust (except metal dust).

The rotary valve should not work with capacity more than 60% of max.

- ATEX certified for St1 and ST2 dust.
- Robust construction.
- Effective air lock between the inlet and outlet provided due to the special rubber blades.

Nom du produit	NRSZ 3 rotary valves
Niveau sonore (dB(A))	< 70
Installation	Intérieur, Extérieur
Matériel	Galvanised steel plate
Convient pour les poussières combustibles	True
Application	Poussière
Operating Temperature	Max. 70°C
Poids (kg)	32
Puissance (kW)	0,18



NRSZ 3 rotary valves

[model]
73008863*
73009044**
73008862*
73008864*
73009227*

*Capacity at 100% filling - 2,3 m³/h

**Without motor

NRSZ 3 rotary valves

	[accessory]	[partno]
	Speed sensor NRS/Z/-3	5507220

NRSZ 3 rotary valves

Atex limitations

Rotary valve type	P _{red,max} [kPa]		Rotation speed max [rpm]
	St1 K _{st,max} *=20 MPa·m/s	St2 K _{st,max} *=30 MPa·m/s	
NRSZ 3	40	40	10

*K_{st} for organic dust

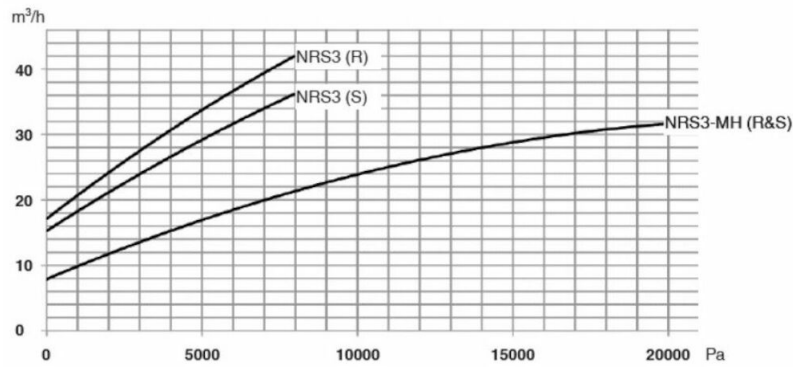
The combustible dust is described by the parameters:

The limit values of the used class of dust St1: K_{st,max}=20 MPa·m/s, MIE ≥13 mJ, MIT ≥430°C (of a dust cloud).

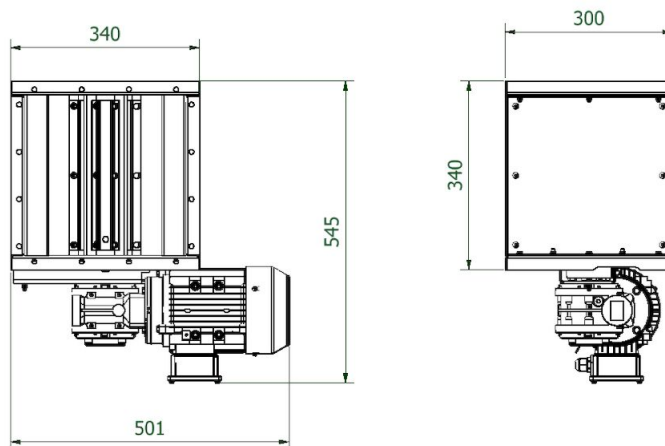
The limit values of the used class of dust St2: K_{st,max}=300 MPa·m/s, MIE ≥2 mJ, MIT ≥520°C (of a dust cloud).

Leakage

The leakage of the rotary valve during shutdown (S) and during operation (R) depends on the pressure drop over the rotor. See the diagramme.



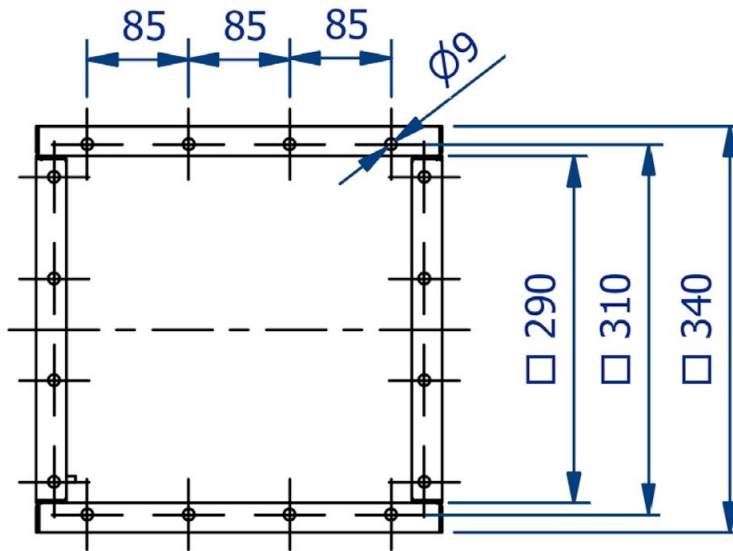
Dimensions NRS 3 / NRSZ 3



Dimensions NRS 3

NRSZ 3 rotary valves

Dimension inlet NRSZ3:



Dimension inlet NRSZ3