

SiloSafe Filter

Compact reverse jet tubular cartridge dust collector



Specifically suited for use on silos that are pneumatically filled. The SiloSafe compact reverse jet tubular cartridge dust collector, available as a venting filter or with an integral fan, was developed specifically for silo and bin venting applications – incorporating Nederman UniClean (patented) cartridge technology for maximum cleaning efficiency and extended life.

Typical applications for the SiloSafe filter are venting of pneumatically and continuously filled silos and bins, for cement batching and in distribution facilities.

- Robust fully welded steel, hot dip galvanized construction. Weatherproof for exposed locations.
- High strength, independently tested to resist explosions, for ATEX compatibility.
- Tough integral mounting flange.
- Low height, minimal visual impact.
- Safe maintenance from clean air side.

Product name	SiloSafe Filter
Installation	Indoor, Outdoor
Material	4mm fully-welded steel
Suitable for combustible dust	True
Filter cleaning method	Compressed air
Application	Grit, Dust, Granulate
Working pressure (in. wg)	-8 / +2
Filter Area (ft ²)	24
Capacity (max airflow cfm)	1500
Frequency (Hz)	50 / 60
Filter type	Cartridge
Number of filter elements	6
Filter material	Polyester
Power (Hp)	3.0 (2.2 Kw)



Granulate Grit Dust

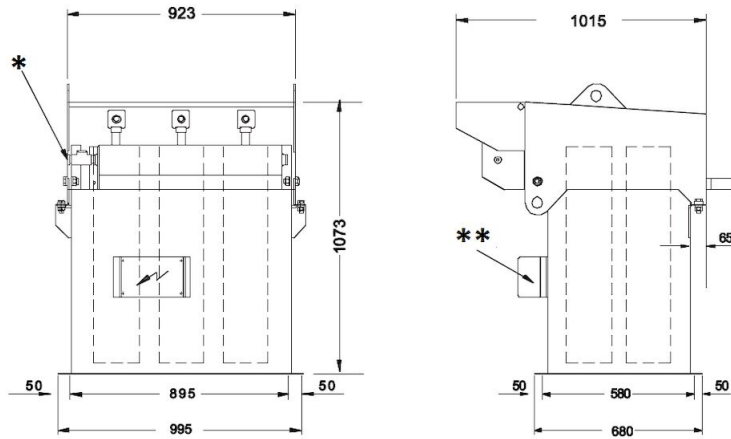
SiloSafe Filter

Description	Power Voltage (V)	No of phases	Weight (lbs)	Model
	220	1	210	SiloSafe 24
	380 / 415	3	245	SiloSafe 24F
Silosafe				89109001
				89109002

SiloSafe Filter

	Accessory	Part No
	SiloSafe Bin Boost	89101021
	Filt Cartrid Ca100-40F L=850mm	89252003
	Filt Cartrid Ca140-40F L=850mm	89252005
	Filt Cartrid Ca190-40F L=850mm	89252006
	Filt Cartrid Ca100-66F L=1370	89252010
	Filt Cartrid Ca140-66F L=1370M	89252012
	Filt Cartrid Ca190-66F L=1370	89252013

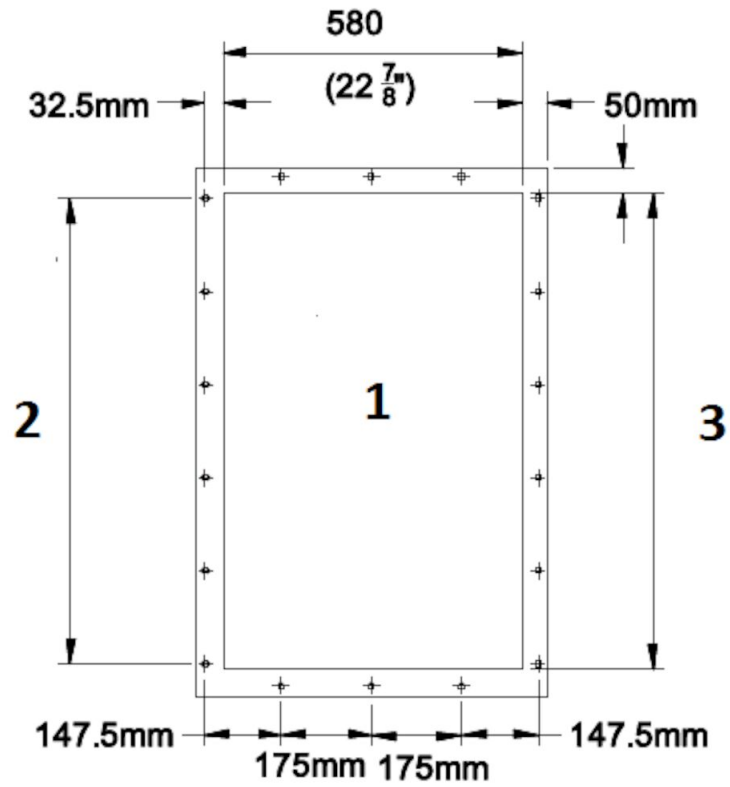
SiloSafe Filter



* 3/4" BSP Female connection for Air supply.

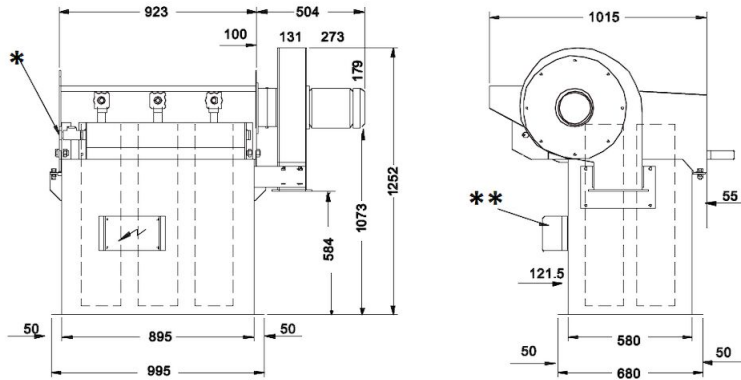
** Controller with IP65 enclosure & local isolator requiring 110V or 220 V supply

SiloSafe Filter



- Filter mating Flange details:
1. 18 Holes 12 dia.
 2. 5 pitches at 175 mm
 3. 1/ Flange

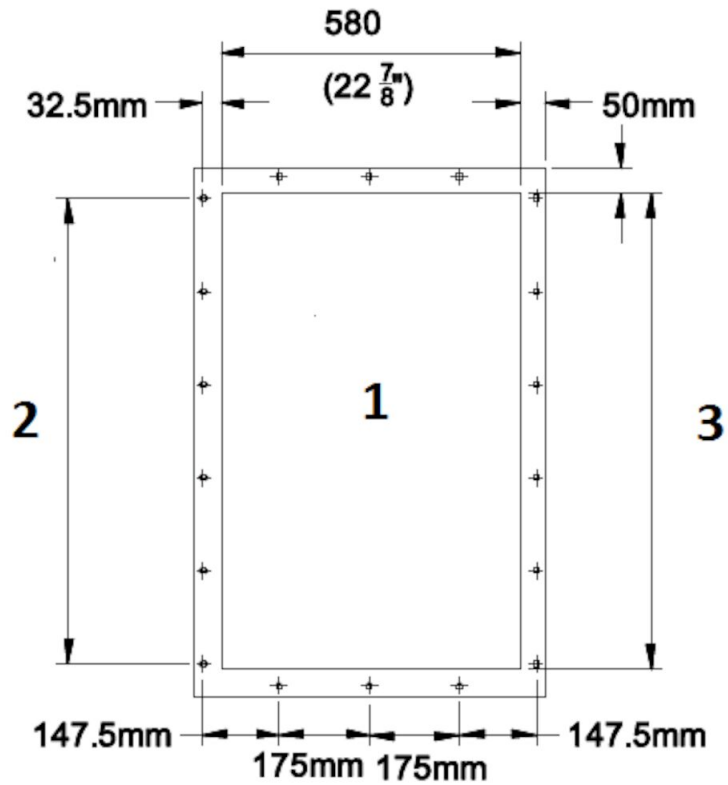
SiloSafe Filter



* 3/4" BSP Female connection for Air supply.

** Controller with IP65 enclosure & local isolator requiring 110V or 220 V supply

SiloSafe Filter



- Filter mating Flange details:
1. 18 Holes 12 dia.
 2. 5 pitchcs at 175 mm
 3. 1/ Flange