

SiloSafe Filter

Compact reverse jet tubular cartridge dust collector



Specifically suited for use on silos that are pneumatically filled. The SiloSafe compact reverse jet tubular cartridge dust collector, available as a venting filter or with an integral fan, was developed specifically for silo and bin venting applications – incorporating Nederman UniClean (patented) cartridge technology for maximum cleaning efficiency and extended life. Typical applications for the SiloSafe filter are venting of pneumatically and continuously filled silos and bins, for cement batching and in distribution facilities.

- Robust fully welded steel, hot dip galvanized construction.
- Weatherproof for exposed locations.
- High strength, independently tested to resist explosions, for ATEX compatibility.
- Tough integral mounting flange.
- Low height, minimal visual impact.
- Safe maintenance from clean air side.

品名	SiloSafe Filter
安装	室内, 室外
材料	4mm fully-welded steel
适用于易爆粉尘	True
清灰方式	压缩空气清灰
应用	沙砾, 粉尘, 颗粒物
工作压力 (千帕)	-8 / +2
过滤面积 (平方米)	24
性能 (最大风量m ³ /h)	2600
频率 (Hz)	50 / 60
除尘器类型	滤筒式过滤器
滤芯数量	6
滤芯	Polyester
功率 (kW)	2,2

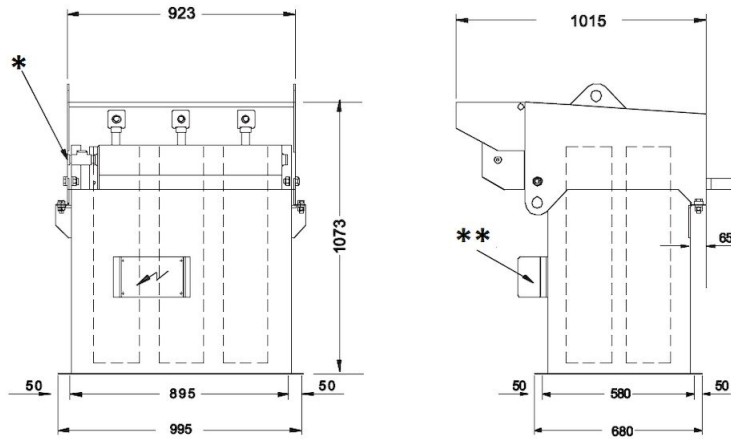


颗粒物 沙砾 粉尘

SiloSafe Filter

电压 (V)	电源相数	重量 (公斤)	产品编号
220	1	210	SiloSafe 24
380 / 415	3	245	SiloSafe 24F

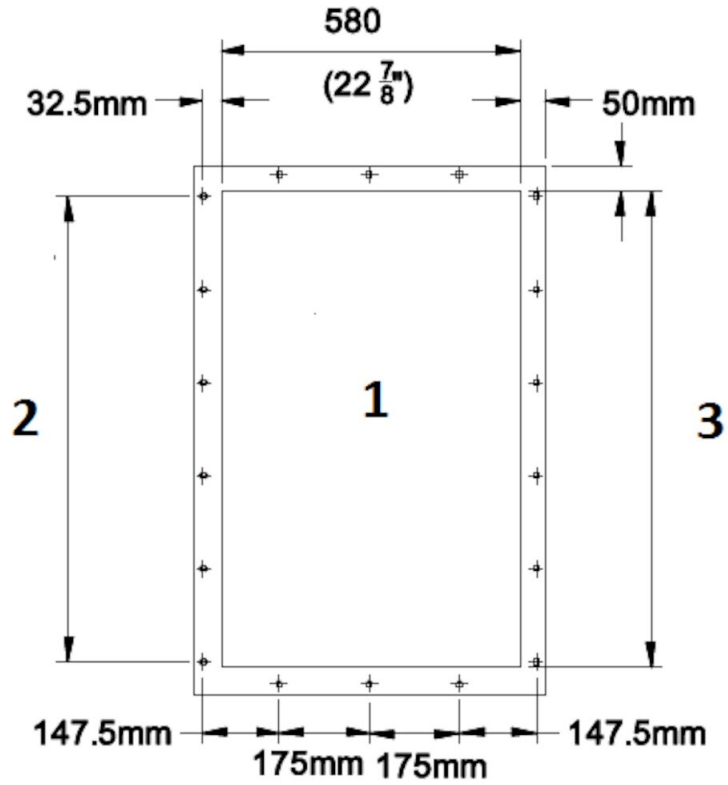
SiloSafe Filter



* 3/4" BSP Female connection for Air supply.

** Controller with IP65 enclosure & local isolator requiring 110V or 220 V supply

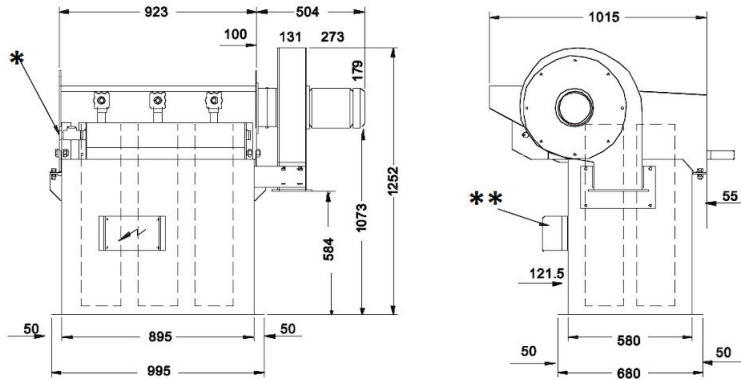
SiloSafe Filter



Filter mating Flange details:

1. 18 Holes 12 dia.
2. 5 pitchces at 175 mm
3. 1 / Flange

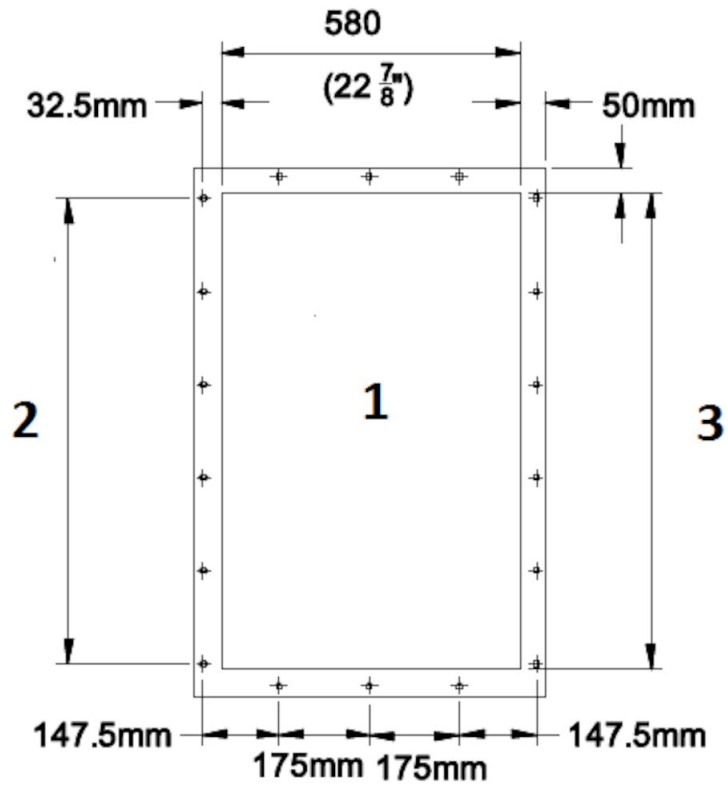
SiloSafe Filter



* 3/4" BSP Female connection for Air supply.

** Controller with IP65 enclosure & local isolator requiring 110V or 220 V supply

SiloSafe Filter



Filter mating Flange details:

1. 18 Holes 12 dia.
2. 5 pitchces at 175 mm
3. 1 / Flange