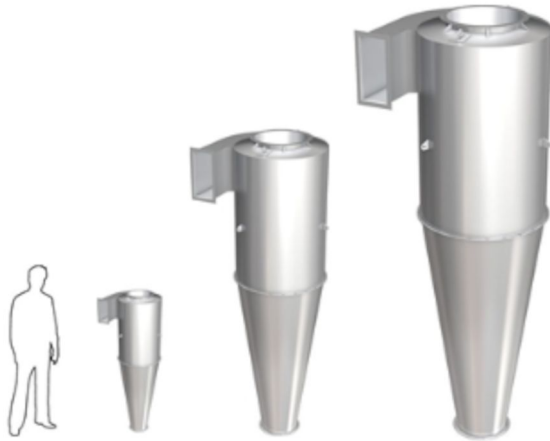


NC cyclone

Basic cyclone to separate large materials from the airflow



The cyclone is a separator that uses centrifugal force to purify air loaded with chips or dust. Its performance depends on the rotation speed, density and grading of particles. Cyclones are available with a wide range of accessories.

- Efficiency approx. 90% for particles above 10 micron.
- Higher efficiency for large particles.
- Built in 2 and 3 mm (.08 in and .1 in)-thick steel sheet depending on the size.
- Max temperature 75°C (167°F) with standard paint

• The cyclone is a separator that uses centrifugal force to purify air loaded with chips or dust. Its performance depends on the rotation speed, density and grading of particles. Cyclones are available with a wide range of accessories.

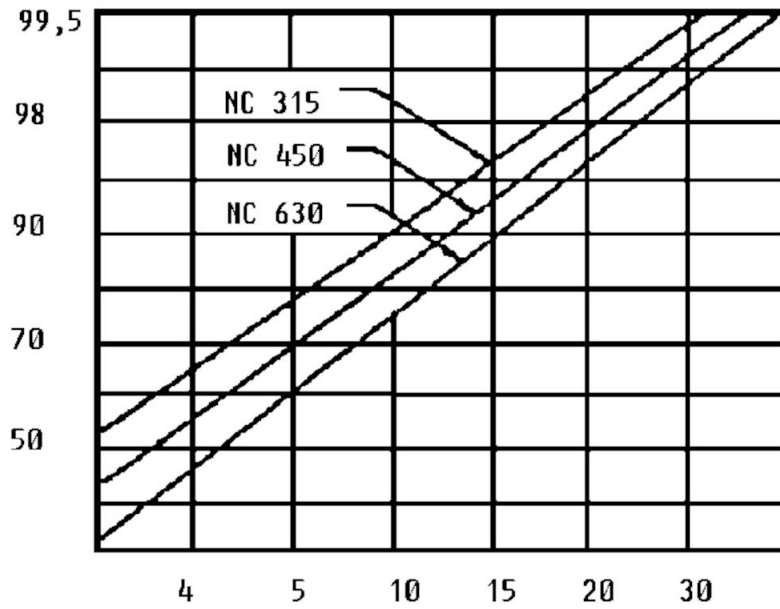
- Efficiency approx. 90% for particles above 10 micron.
- Higher efficiency for large particles.
- Built in 2 and 3 mm (.08 in and .1 in)-thick steel sheet depending on the size.
- Max temperature 75°C (167°F) with standard paint

Product name	NC cyclone
Installation	[Outdoor]
Material	2 and 3 mm (.08 in and .1 in)-thick steel sheet

NC cyclone

Description	Inlet	Weight (kg)	[model]
Cyclone NC 700	400	123	NC700
Cyclone NC 1000	560	306	NC1000
Cyclone NC 1150	630	433	NC1150
Cyclone NC 1300	710	550	NC1300
Cyclone NC 1600	900	804	NC1600
Cyclone NC 2000	1200	1278	NC2000
Cyclone NC 2500	1600	1647	NC2500
Cyclone NHC 315		15	NHC315
Cyclone NHC 630		50	NHC630

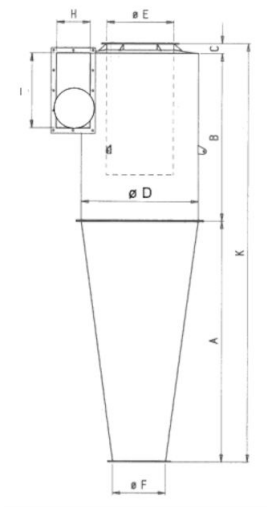
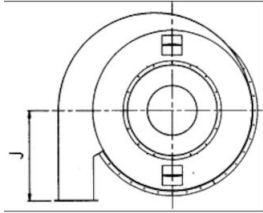
NC cyclone



Efficiency NHC 315-630

X= %
Y= µm

NC cyclone



NC cyclone

NC cyclone, left (as drawing)	47011.xxx
NC cyclone, right (opposite of drawing)	47010.xxx
Cyclone inlet, QF (NC 500 – NC 1300)* Galv.	22019.xxx
Cyclone inlet, FL (NC 500 – NC 2500)* Galv.	22219.xxx
Cyclone inlet, QF (NC 500 – NC 1300)* Welded	22419.xxx
Cyclone inlet, FL (NC 500 – NC 2500)* welded	22319.xxx
Cyclone tangential outlet left for NC right cyclone	47020.xxx
Cyclone tangential outlet right for NC left cyclone	47021.xxx
Transition for NRS 4 rotary valve	47030.xxx
Transition for NRS 10 rotary valve	47035.xxx
Waste bin for cyclone	47100.000

xxx = D/10

Parts for NC 500-2500

* The inlet must level with the bottom.

Type	A (mm)	B (mm)	C (mm)	øD (mm)	øE (mm)	øF (mm)	H (mm)	I (mm)	J (mm)	K (mm)	Weight (kg)
NC 500	1000	700	80	500	250	200	126	285	305	1780	53
NC 700	1430	990	60	700	400	315	206	444	501	2480	123
NC 1000	2048	1500	100	1000	560	400	216	485	606	3648	306
NC 1150	2395	1800	100	1150	630	450	240	550	675	4300	433
NC 1300	2825	2000	120	1300	710	450	300	600	700	4945	550
NC 1600	3300	2300	100	1600	900	500	357	905	600	5700	804
NC 2000	3930	2600	170	2000	1200	630	401	1247	1200	6700	1278
NC 2500	4205	3000	170	2500	1600	710	507	1364	1200	7375	1647

Dimensions Cyclone type 500-2500

NC cyclone

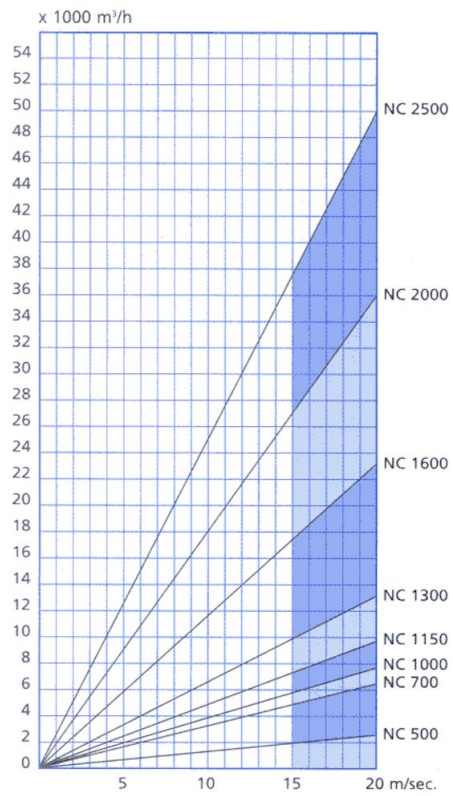
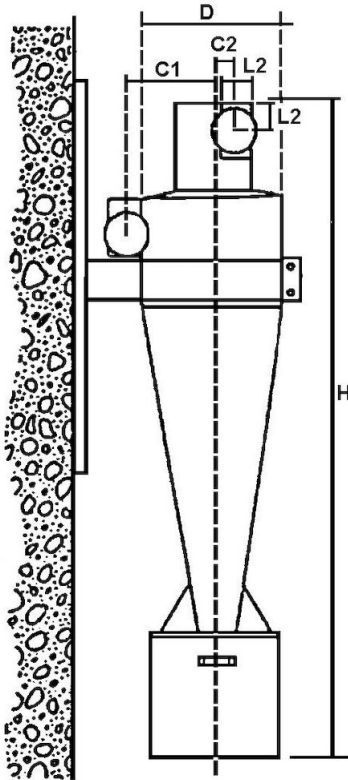


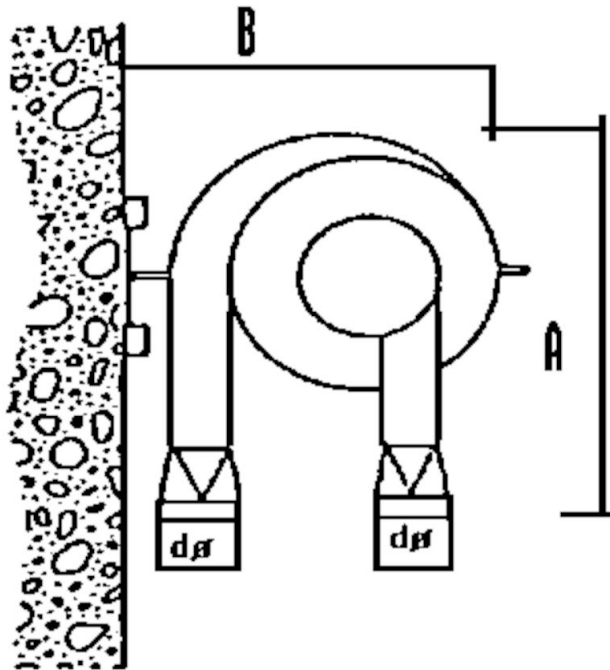
Diagram NC 500-2500

NC cyclone



Type	C1	L1	C2	L2
315	189	252	58	63
450	270	360	80	90
630	378	500	115	125

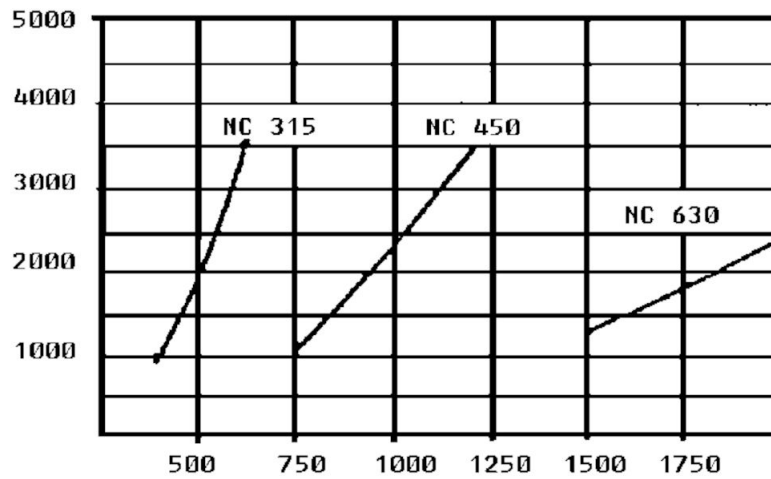
NC cyclone



Type	D (mm)	A (mm)	B (mm)	H (mm)	d (mm)	Vægt (kg)	Art. no. Cyclone right	Art. no. Cyclone left	Art. no. Wall support
NHC 315	315	500	500	1550	100	15	47100.315	47101.315	47190.315
NHC 450	450	600	650	2100	125	20	47100.450	47101.450	47190.450
NHC 630	630	700	750	2700	160	50	47100.630	47101.630	47190.630

All dimensions in mm

NC cyclone



Pressure drop diagram for NHC315-630

X= Pa
Y = m/h