

FMCZ

Filtro cartucho compacto para coleta de particulados e poeiras combustíveis, em diversos segmentos industriais.



A linha de filtros cartucho FMC oferece diversos benefícios operacionais graças a seu desenho compacto e ao sistema de limpeza UniClean®.

- Os cartuchos estão disponíveis em diferentes materiais, para atender às mais diversas aplicações e tipos de particulados.
- Seu desenho modular permite instalação próximo à fonte de emissão do poluente, reduzindo o consumo de energia.
- Os elementos filtrantes são de fácil acesso e de simples troca.
- Intelligent ECO-efficient filter controller minimize maintenance and energy costs.
- Quick release waste bin


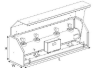
Nome do Produto	FMCZ
Requisitos de ar comprimido	6 bar
Consumo de ar comprimido	45 NI per cleaning pulse
Material	Housing in galvanised sheet steel (2mm)
AAdequado para poeiras combustíveis	True
Método de limpeza do filtro	Pulso de ar
Application	Fumos, Poeira
Pressão de serviço (kPa)	-6,0 to 1,5. Operation of the filter with overpressure only allowed if it is a silo top version.
Volume do balde (l)	50 or 100 or without
Capacidade (máx. caudal m3/h)	21000
Operating Temperature	-20 to 70 Deg. C.
Tipo de filtro	Filtro de cassete
Material Filtrante	Polyester (std)



FMCZ

Descrição	Número de elementos filtrantes	[model]
FMCZ 200-2L	8	FMC(Z)200-2Ls
FMCZ 200-4L	16	FMC(Z)200-4Ls
FMCZ 200-6L	24	FMC(Z)200-6Ls
FMCZ 200-8L	32	FMC(Z)200-8Ls
FMCZ 200-2A	8	FMC(Z)200-2As
FMCZ 200-4A	16	FMC(Z)200-4As
FMCZ 200-6A	24	FMC(Z)200-6As
FMCZ 200-8A	32	FMC(Z)200-8As

FMCZ

	[accessory]	[partno]
	Single backpack for 4 modules	5509660
	Single backpack for 4 modules round inlet from the top	5501138
	Single backpack for 8 modules round inlet from the top pos L	5501169
	Double backpack for 4 modules	5509661
	Isolation box for FM pressure tank, 2 modules	5501317
	Isolation box for FM pressure tank, 4 modules	5501318
	Isolation box for FM pressure tank, 6 modules	5501319
	Isolation box for FM pressure tank, 6 modules	5501320
	Noise enclosure for FM800 fan	5501783

FMCZ

Type	Number of cartridges	Filter area in m ²	Max. air flow in m ³ /h*	Max. amount of ex. membranes	Max. Silo volume** St1 in m ³	Standard no. of ex. membranes Std.*** St1 St2	
FMCZ200-2L	8	32	3200	5	10	1	2
FMCZ200-4L	16	64	6400	7	15	2	2
FMCZ200-6L	24	96	9600	9	20	2	3
FMCZ200-8L	32	128	12800	11	25	2	3
FMCZ200-2A	8	53	5300	5	10	2	2
FMCZ200-4A	16	106	10600	7	15	2	2
FMCZ200-6A	24	159	15900	9	20	2	3
FMCZ200-8A	32	212	21200	11	25	2	3

* Max. Air flow is dependent on the actual dust type.

** Max. extra possible relieved volume (for St1 dust), when FMCZ200 silo version is mounted directly on a silo. (Attention: this is only an example with system L/D = 1, pred,max = 0,3 bar - special calculation is required for every case).

Standard explosion vents 410x410.

Filter body and hopper :

St1, Kst = max.200 bar x m/s and Pmax = 9 bar.

St2, Kst = max.300 bar x m/s and Pmax = 9 bar.

St3, Kst = max.600 bar = special order.

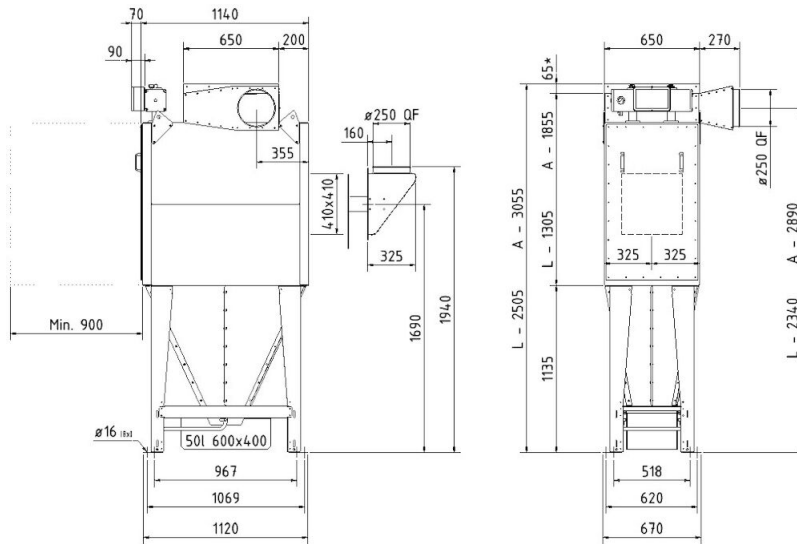
When ordering please specify:

- Dust characteristics Kst and Pmax.
- Zone-rating of place for installation (Non-zone or Zone 22)

Marking

- The St1 version is marked EX II D St1.
- The FMCZ200 filter body in the St2 version is marked: EX II D St2.
- The marking is based on product certification by FTZU No. 1026

FMCZ

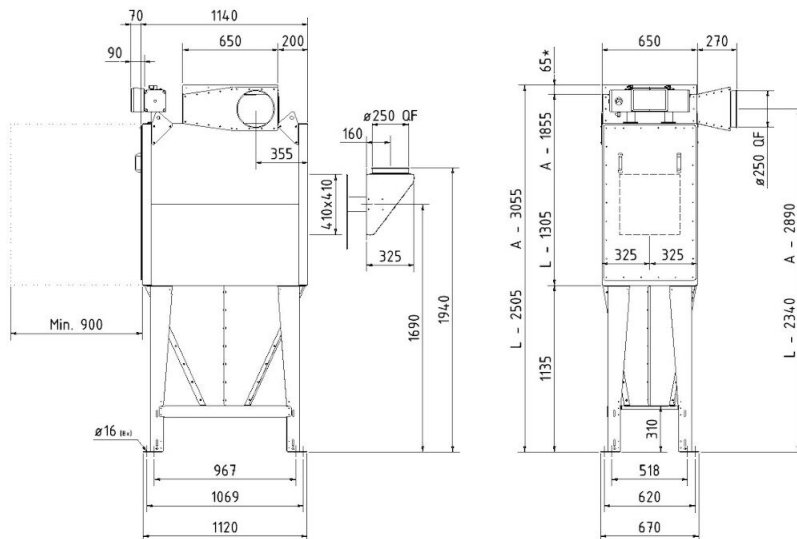


FMC200-2L and 2A with bin for discharge

All dimensions in mm.

If 50 liter bin with rollers, add 90 mm.

* 65 mm to be included at top mounted fan.

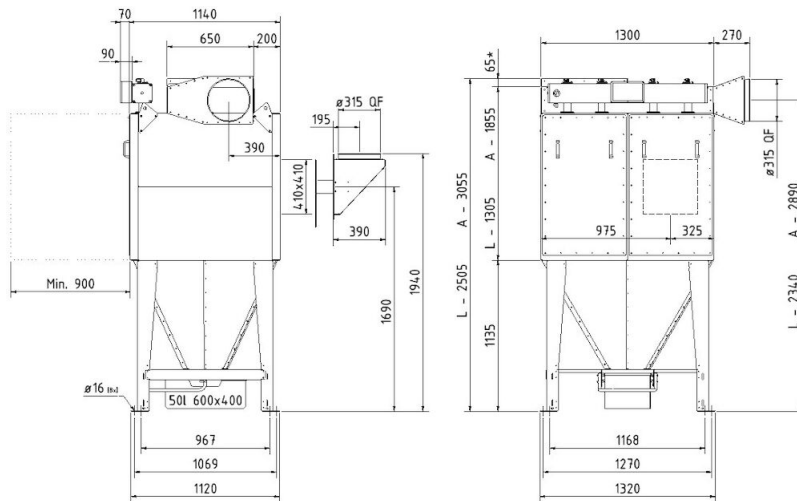


FMC200-2L and 2A hopper with flange for discharge

All dimensions in mm.

* 65 mm to be included at top mounted fan.

FMCZ

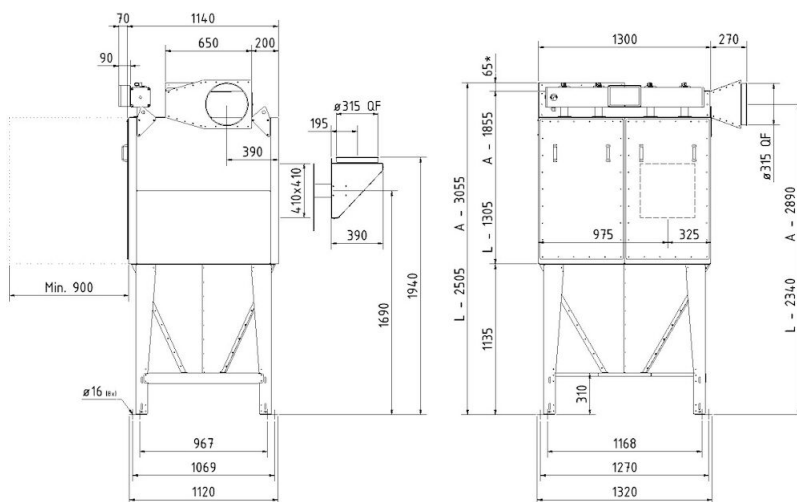


FMC200-4L and 4A with bin for discharge

All dimensions in mm.

If 50 liter bin with rollers, add 90 mm.

* 65 mm to be included at top mounted fan.

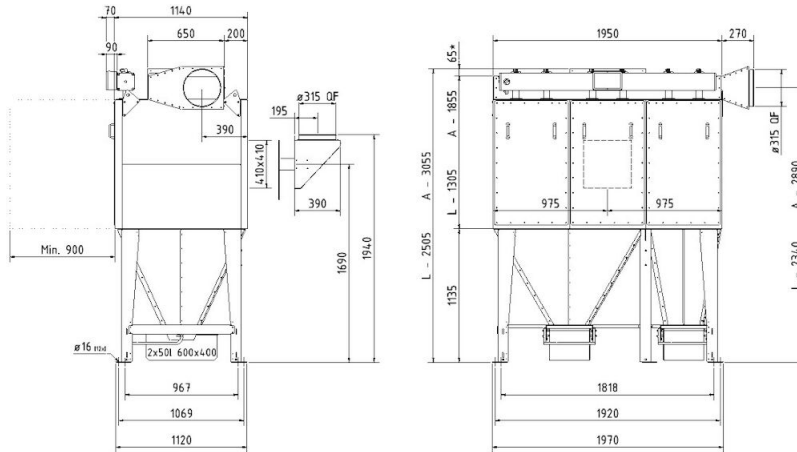


FMC200-4L and 4A hopper with flange for discharge

All dimensions in mm.

* 65 mm to be included at top mounted fan.

FMCZ

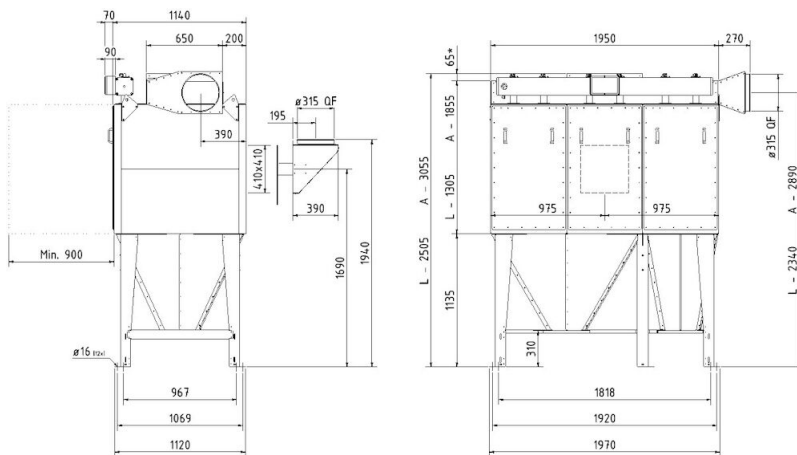


FMC200-6L and 6A with bin for discharge

All dimensions in mm.

If 50 liter bin with rollers, add 90 mm.

* 65 mm to be included at top mounted fan.

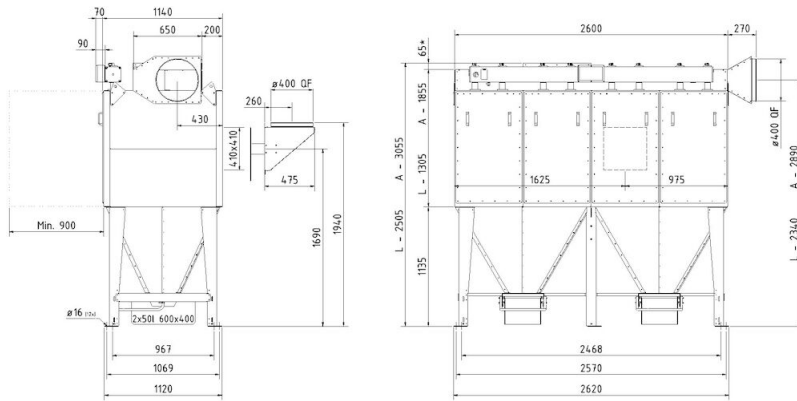


FMC200-6L and 6A hopper with flange for discharge

All dimensions in mm.

* 65 mm to be included at top mounted fan

FMCZ

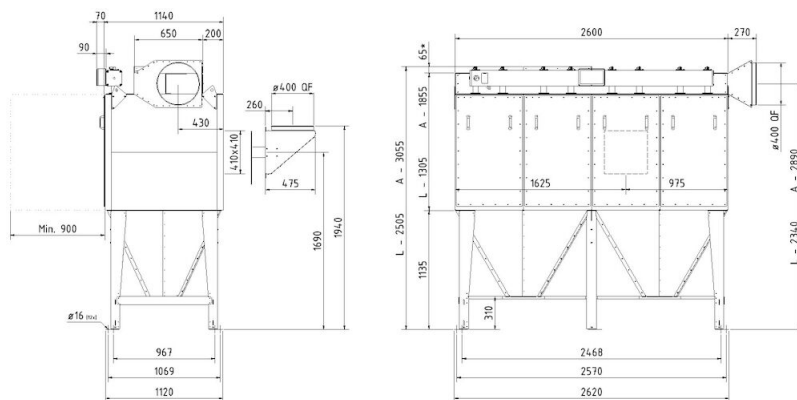


FMC200-8L and 8A with bin for discharge

All dimensions in mm.

If 50 liter bin with rollers, add 90 mm.

* 65 mm to be included at top mounted fan.



FMC200-8L and 8A hopper with flange for discharge

All dimensions in mm.

* 65 mm to be included at top mounted fan.