

## BenchTop Extraction Arm FX2 50 ESD/EX

The best and most cost-efficient solution for extraction of hazardous airborne contaminants, in applications where small, flexible and easy-to-use arms are required.



Nederman FX2 arms are made of lightweight anodized aluminium sections, with two or three adjustable, composite friction joints. Offering strength and durability combined with easy handling, they can be used in many types of environment. They are especially suitable for applications where small, flexible and easy-to-use arms are required.

The arm is designed for use in electronic environments where there is a risk of electrostatic discharges. The ESD/EX can also be used for certain applications in potentially explosive atmospheres.









Recommended for use in zone 1, 2 and 21, 22.

- Optimal efficiency and low noise provides safe and quiet working environment
- Ceilings, walls and floors or fixed to worktops mountings and cut2fit extension profile gives maximum installation flexibility
- The two outermost arm joints can rotate and swivel through 360°, which gives the unique maneuverability
- The lean, smooth and aesthetic design allows arms to fit in well in any environment without compromising its durability and reliability
- Highly integrated products that save customers' time and costs, as well as providing the reliability and functionality to deliver a better performance

Product name	BenchTop Extraction Arm FX2 50 ESD/EX
Noise level (dB(A))	60 dB(A) at 110 m <sup>3</sup> /h
Installation	Indoor
Material	Tubes in anodized aluminium. Joints in conductive PP plastic. Duct connector in conductive EPDM rubber. Minihood in conductive PP plastic.
Fume temperature	max 70°C
Extraction arm diameter (mm)	50
Airflow (m <sup>3</sup> /h)	50 - 110
Colour	Aluminum and black



## BenchTop Extraction Arm FX2 50 ESD/EX

Image	Description	Arm length (m)	Weight (kg)	Model
	FX2-ESD/EX-D50-L700-Up/Down-Low	0,7	1,7	70601244*
	FX2-ESD/EX-D50-L700-Up/Down-Through	0,7	1,2	70601444**
	FX2-ESD/EX-D50-L1100-Up-Low	1,1	2,3	70601544***
	FX2-ESD/EX-D50-L1100-Down-Low	1,1	2,3	70601744****
	FX2-ESD/EX-D50-L1100-Down-Through	1,1	1,8	70601844*****
	FX2-ESD/EX-D50-L1500-Up-Low	1,5	2,6	70601944*****
	FX2-ESD/EX-D50-L1500-Down-Low	1,5	2,6	70602144****
	FX2-ESD/EX-D50-L1500-Down-Through	1,5	2,1	70602244*****

\*Up/Down-Low

\*\*Up/Down-Through

















\*\*\*up-Low

\*\*\*\*Down-Low

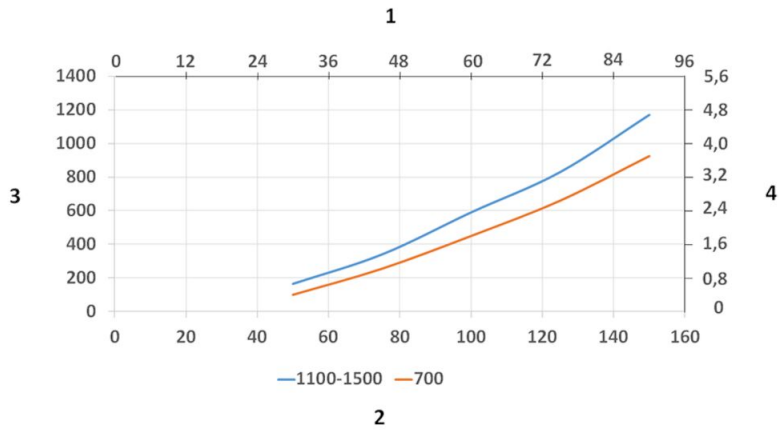
\*\*\*\*\*Down-Through

\*\*\*\*\*Up-Low

## BenchTop Extraction Arm FX2 50 ESD/EX

	Accessory	Part No
	FX-Bracket kit-D50/75/100-L190	70501144
	FX2-Bracket kit-D50/75/100-L500	70377042
	FX2-Wall BRKT kit-Flat-L190-Black.	70377044
	FX2-Bench bracket kit-D50/75/100	70501444
	FX-Classic bracket-D50/75/100	70501244
	FX-Cut2fit extension-L1100.	70501344
	FX-Cut2fit extension-L2200.	70374600
	FX-Ceiling cover plate	70502644
	FX2-Ceiling cover plate-PLUS	70377045
	FX-Combi hood-ESD/EX-D50/75/100	70500244
	FX-Dome hood-ESD/EX-D50/75/100	70376983
	FX-Metal hood-ESD/EX-D50/75/100	70500544
	FX-Flange hood-ESD/EX-D50/75/100	70502944
	FX2-Duct connector-ESD/EX-D50	70377037
	FX2-Al duct-L1000-D50 to D77	70377056
	FX2-Al duct-L2000-D50 to D77	70377057
	FX-Hose-ESD-D75-L3000-Black	70377101
	FX2-Hose support ring-D75	70377067

## BenchTop Extraction Arm FX2 50 ESD/EX

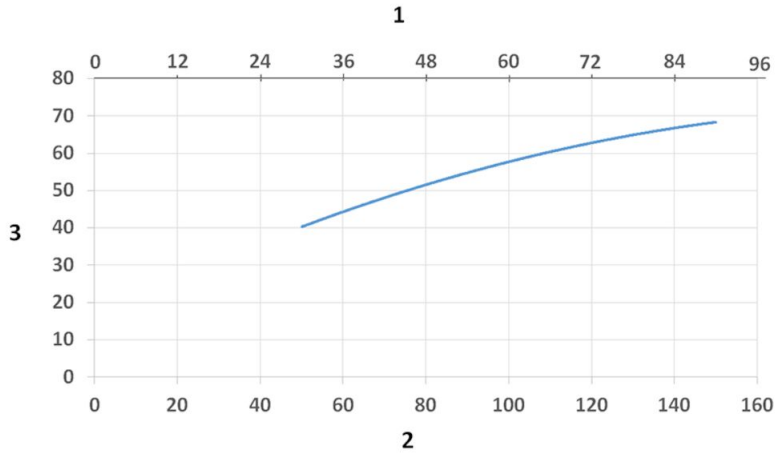


Pressure Drop diagram:

1) X- Axis: Air Flow Rate (cfm)  
2) X- Axis: Air Flow Rate (m/h)

3) Y-Axis: Static Pressure Drop (Pa)  
4) Y-Axis: Static Pressure Drop (in. wg.)

## BenchTop Extraction Arm FX2 50 ESD/EX



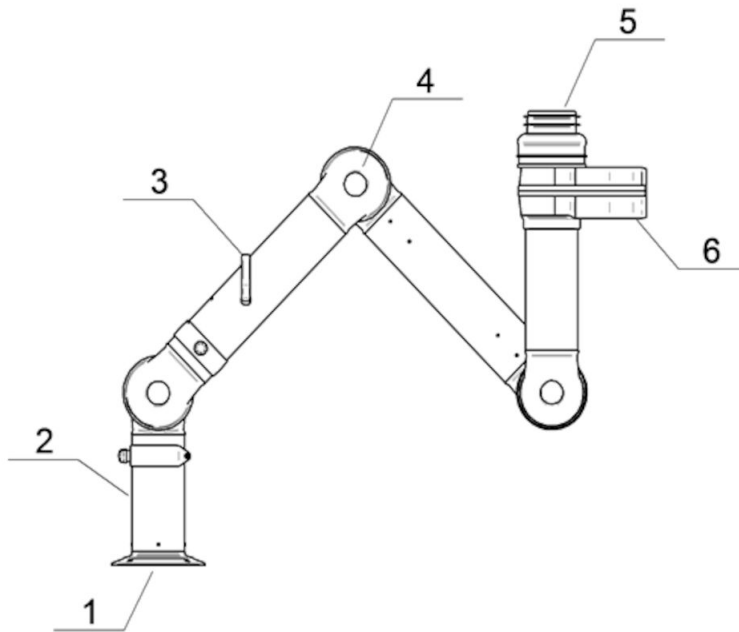
Sound Level diagram:

1) X- Axis: Air Flow Rate (cfm)

2) X- Axis: Air Flow Rate (m/h)

3) Y- Axis: Sound Pressure Level (dB) (A)

## BenchTop Extraction Arm FX2 50 ESD/EX



Material:

1) Flange: Conductive PP plastic

2) Tubes: Aluminum, anodized 10 µm

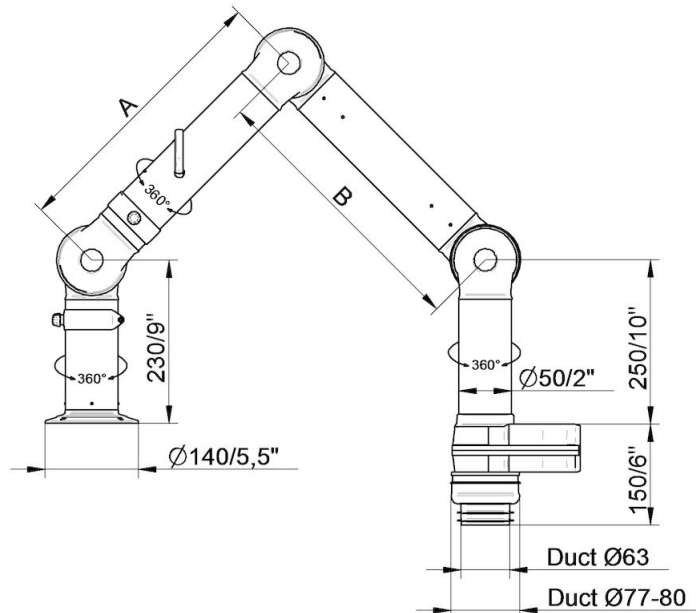
3) Damper adjustment handle: Aluminum: anodized 10 µm  
Internal spring: Stainless steel  
Damper blade: Conductive TP & PP plastic

4) Joints conductive: PP plastic with glass fibre reinforcement  
Plastic rings conductive: PP plastic with glass fibre reinforcement  
Axial locking rings conductive: PP plastic with glass fibre reinforcement  
Adjustment knobs: PA & EDS plastic  
Threaded shaft inside joints: Stainless Steel

5) Duct connector: conductive EPDM Rubber

6) Swivel: Aluminum, conductive powder coating  
Rivets: Aluminum  
Bearings swivel conductive: PP plastic with glass fibre reinforcement

## BenchTop Extraction Arm FX2 50 ESD/EX

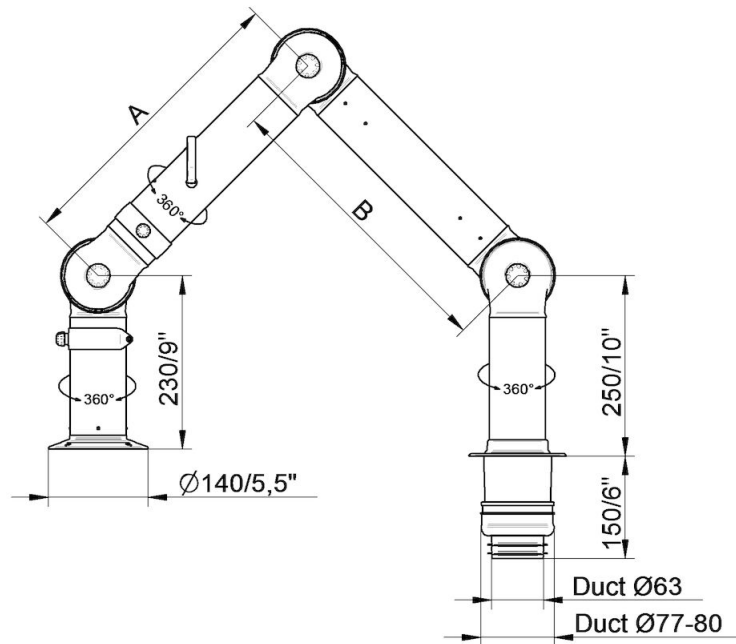


- FX2-ESD/EX-D50-L700-Up/Down-Low  
Part number: 70601244  
Max. working radius: 630 mm (24,8 in)  
A: 400 mm (15,7 in)

- FX2-ESD/EX-D50-L1100-Down-Low  
Part number: 70601744  
Max. working radius: 1030 mm (40,5 in)  
A: 400 mm (15,7 in)  
B: 400 mm (15,7 in)

- FX2-ESD/EX-D50-L1500-Down-Low  
Part number: 70602144  
Max. working radius: 1430 mm (56,3 in)  
A: 500 mm (19,7 in)  
B: 700 mm (27,6 in)

## BenchTop Extraction Arm FX2 50 ESD/EX



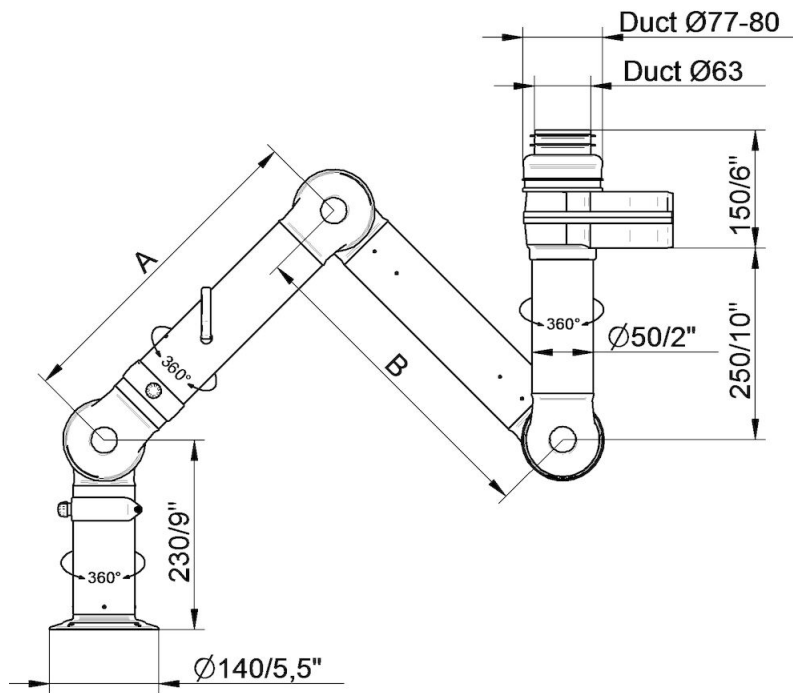
- FX2-ESD/EX-D50-L700-Up/Dow-Through  
Part number: 70601444  
Max. working radius: 630 mm (24,8 in)  
A: 400 mm (15,7 in)

- FX2-ESD/EX-D50-L1100-Down-Through  
Part number: 70601844  
Max. working radius: 1030 mm (40,5 in)  
A: 400 mm (15,7 in)  
B: 400 mm (15,7 in)

- FX2-ESD/EX-D50-L1500-Down-Through  
Part number: 70602244  
Max. working radius: 1430 mm (56,3 in)  
A: 500 mm (19,7 in)  
B: 700 mm (27,6 in)



## BenchTop Extraction Arm FX2 50 ESD/EX

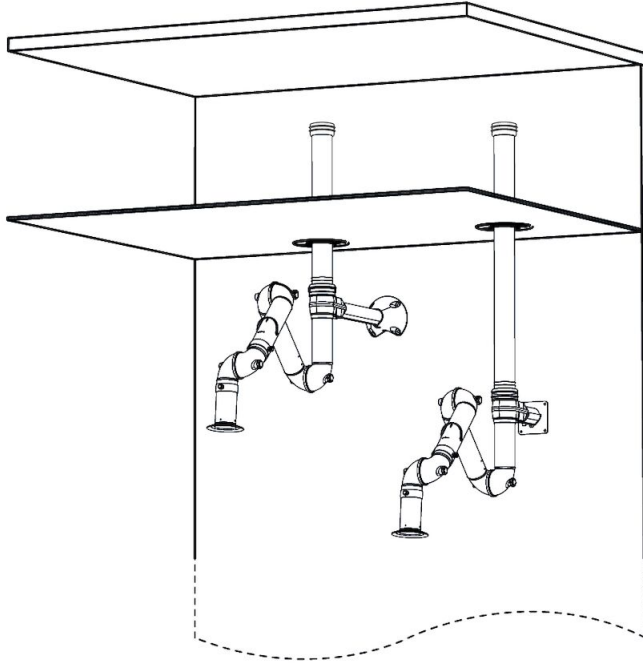


- FX2-ESD/EX-D50-L700-Up/Down-Low  
Part number: 70601244  
Max. working radius: 630 mm (24,8 in)  
A: 400 mm (15,7 in)

- FX2-ESD/EX-D50-L1100-Up-Low  
Part number: 70601544  
Max. working radius: 1030 mm (40,5 in)  
A: 400 mm (15,7 in)  
B: 400 mm (15,7 in)

- FX2-ESD/EX-D50-L1500-Up-Low  
Part number: 70601944  
Max. working radius: 1430 mm (56,3 in)  
A: 500 mm (19,7 in)  
B: 700 mm (27,6 in)

## BenchTop Extraction Arm FX2 50 ESD/EX



Wall mounting examples:

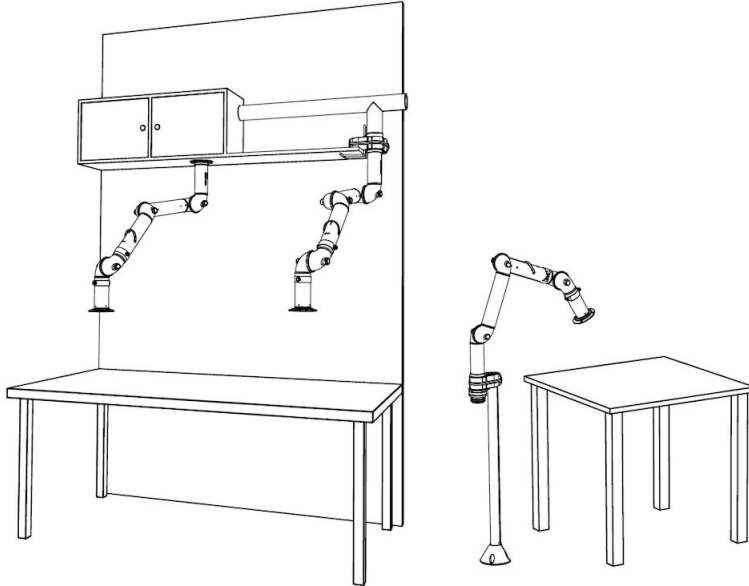
Left: FX2-Up-Low arm with following accessories:

- FX2-Bracket kit-D50/75/100-L500
- FX2-Ceiling cover plate-PLUS
- FX2-Alu duct
- FX2-Duct connector-ESD/EX-D75

Right: Up-Low arm with following accessories:

- FX2-Wall BRKT kit-Flat-L190-Black
- FX2-Ceiling cover plate-PLUS
- FX2-Alu duct
- FX2-Duct connector-ESD/EX-D75

## BenchTop Extraction Arm FX2 50 ESD/EX



Other mounting examples:

Left: Overbench cabinet mounting with FX2-Up/Down-Through arm

Middle: Shelf mounting with FX2-Up-Low arm and following accessories:

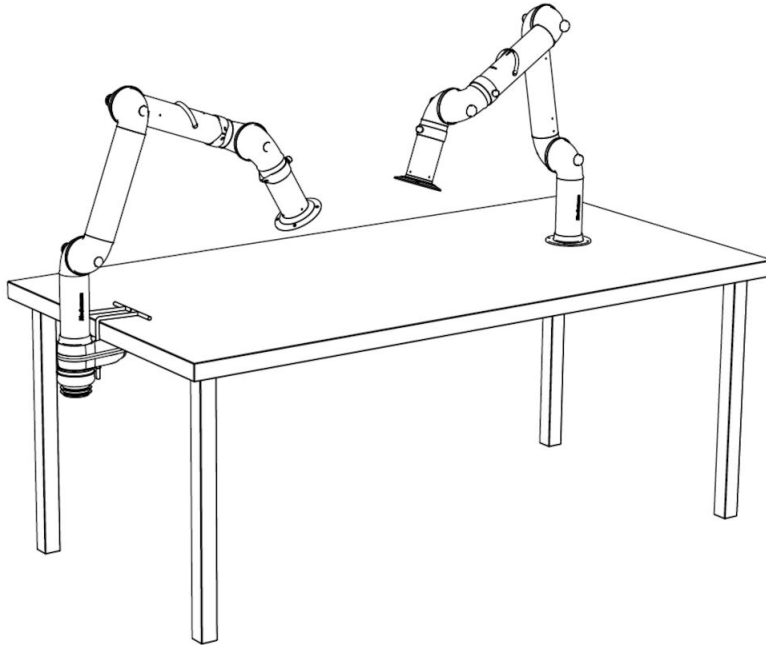
-FX2-Bench bracket kit

Right: Floor mounting with FX2-Up-Low arm and following accessories:

-FX-Classic bracket

-FX-Cut2fit extension-L1100

## BenchTop Extraction Arm FX2 50 ESD/EX



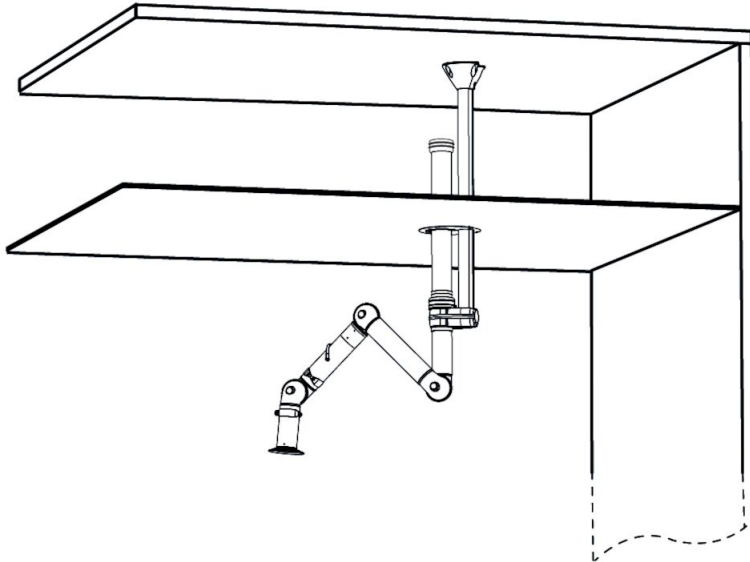
Bench mounting examples:

Left: FX2-Down-Low arm with following accessories:

-FX2-Bench bracket kit-D50/75/100

Right: FX2-Down-Through arm

## BenchTop Extraction Arm FX2 50 ESD/EX



Ceiling mounting example:

Left: FX2-Up-Low arm with following accessories:

- FX-Classic bracket
- FX-Cut2fit extension-L1100
- FX2-Alu duct
- FX2-Duct connector-ESD/EX-D75
- FX-Ceiling cover plate