

BenchTop Extraction Arm FX2 50 ESD/EX

The best and most cost-efficient solution for extraction of hazardous airborne contaminants, in applications where small, flexible and easy-to-use arms are required.











Nederman FX2-armer er laget av lette, anodiserte aluminiumsprofiler med to eller tre justerbare friksjonsledd i kompositt. Styrke og holdbarhet i kombinasjon med lett justering gjør de velegnet i mange miljøer. Spesielt egnet for bruksområder hvor små, fleksible og brukervennlige armer er ønskelig. Armen er utviklet for bruk i elektroniske miljøer der det er fare for elektrostatiske utladninger. ESD/EX-modellen kan også brukes for visse applikasjoner i eksplosjonsfarlige områder. Anbefales for bruk i sone 1,2, 21 og 22

- Optimal efficiency and low noise provides safe and quiet working environment
- Ceilings, walls and floors or fixed to worktops mountings and cut2fit extension profile gives maximum installation flexibility
- The two outermost arm joints can rotate and swivel through 360°, which gives the unique maneuverability
- The lean, smooth and aesthetic design allows arms to fit in well in any environment without compromising its durability and reliability
- Highly integrated products that save customers' time and costs, as well as providing the reliability and functionality to deliver a better performance

Produktnavn	BenchTop Extraction Arm FX2 50 ESD/EX
Støynivå (dB(A))	60 dB(A) at 110 m ³ /h
Installasjon	Innendørs
Materiale	Rør i eløksert aluminium. Leddene i ledende PP plast Kanal tilkobling i ledende EPDM gummi Minihette i ledene PP plast
Damptemperatur	max 70°C
Ekstraheringsarm, diameter (mm)	50
Luftstrøm (m ³ /t)	50 - 110
Farge	Aluminum and black



BenchTop Extraction Arm FX2 50 ESD/EX

Bilde	Navn på datablad	Armlengde (m)	Vekt (kg)	Model
	FX2-ESD/EX-D50-L700-Up/Down-Low	0,7	1,7	70601244*
	FX2-ESD/EX-D50-L700-Up/Down-Through	0,7	1,2	70601444**
	FX2-ESD/EX-D50-L1100-Up-Low	1,1	2,3	70601544***
	FX2-ESD/EX-D50-L1100-Down-Low	1,1	2,3	70601744****
	FX2-ESD/EX-D50-L1100-Down-Through	1,1	1,8	70601844*****
	FX2-ESD/EX-D50-L1500-Up-Low	1,5	2,6	70601944*****
	FX2-ESD/EX-D50-L1500-Down-Low	1,5	2,6	70602144****
	FX2-ESD/EX-D50-L1500-Down-Through	1,5	2,1	70602244*****

*Up/Down-Low

**Up/Down-Through










***up-Low

****Down-Low

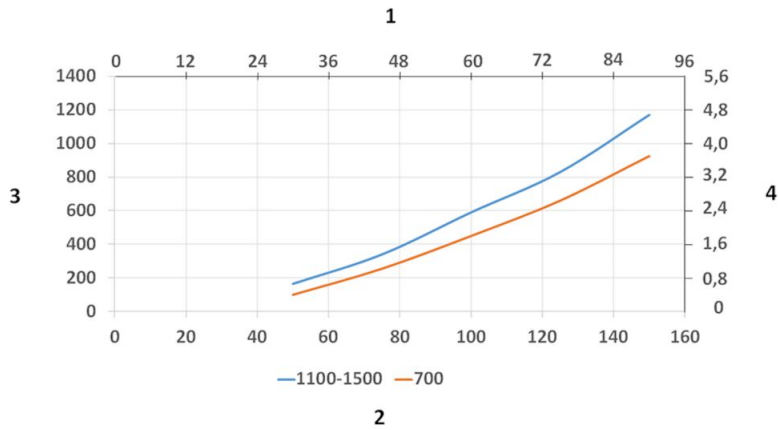
*****Down-Through

*****Up-Low

BenchTop Extraction Arm FX2 50 ESD/EX

	Tilbehør	Artikkelnummer
	FX-Brakett kit-D50 / 75/100-L190.	70501144
	FX2-Brakettsett-D50/75/100-L500	70377042
	FX2-Vegg BRKT-sett-Flat-L190-Svart	70377044
	FX2-Bench brakett kit-D50 / 75/100	70501444
	FX-Classic brakett-D50 / 75/100	70501244
	FX-Cut2fit extension-L1100.	70501344
	FX-Cut2fit extension-L2200.	70374600
	FX-Tak dekkplate	70502644
	FX2-Tak dekkplate-PLUS	70377045
	FX-Combi hette-ESD / EX-D50 / 75/100.	70500244
	FX-Dome hette-ESD / EX-D50 / 75/100.	70376983
	X-Metal hette-ESD / EX-D50 / 75/100	70500544
	FX-Flenshette-ESD/EX-D50/75/100	70502944
	FX2-Duct connector-ESD/EX-D50	70377037
	FX2-Al duct-L1000-D50 to D77	70377056
	FX2-Al duct-L2000-D50 to D77	70377057
	FX-Slange-ESD-D75-L3000-Svart	70377101
	FX2-Hose support ring-D75	70377067

BenchTop Extraction Arm FX2 50 ESD/EX



Pressure Drop diagram:

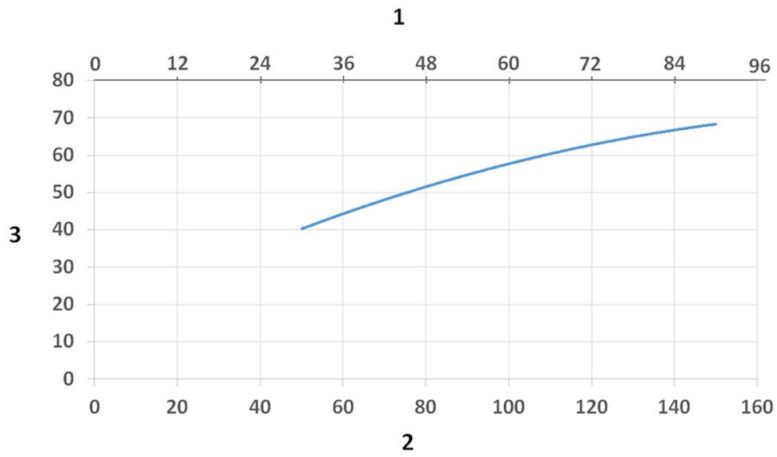
1) X- Axis: Air Flow Rate (cfm)

2) X- Axis: Air Flow Rate (m/h)

3) Y- Axis: Static Pressure Drop (Pa)

4) Y- Axis: Static Pressure Drop (in. wg.)

BenchTop Extraction Arm FX2 50 ESD/EX



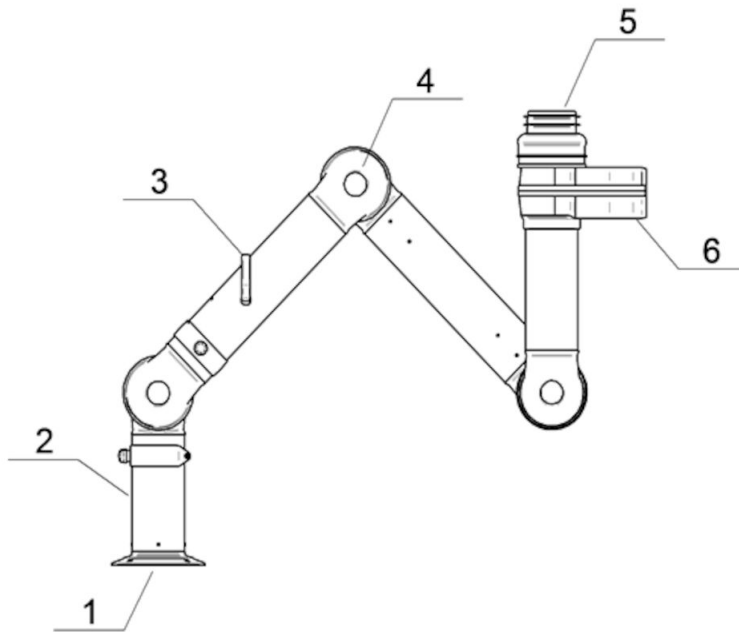
Sound Level diagram:

1) X- Axis: Air Flow Rate (cfm)

2) X- Axis: Air Flow Rate (m/h)

3) Y- Axis: Sound Pressure Level (dB) (A)

BenchTop Extraction Arm FX2 50 ESD/EX



Material:

1) Flange: Conductive PP plastic

2) Tubes: Aluminum, anodized 10 µm

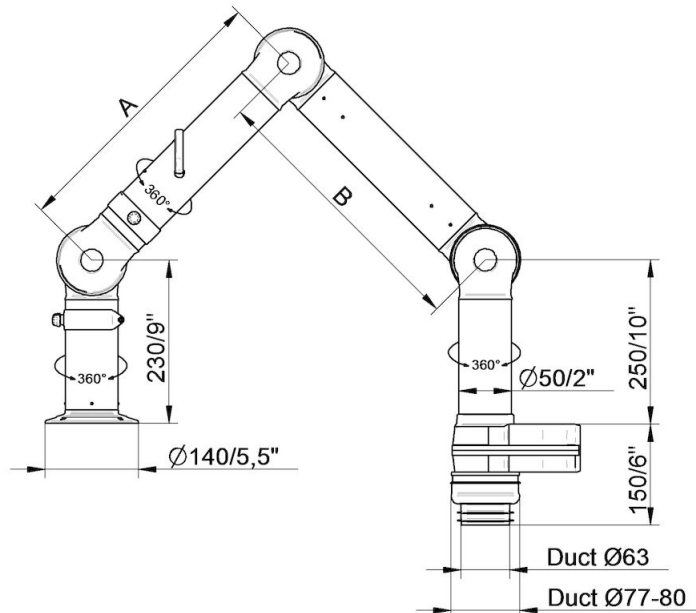
3) Damper adjustment handle: Aluminum: anodized 10 µm
Internal spring: Stainless steel
Damper blade: Conductive TP & PP plastic

4) Joints conductive: PP plastic with glass fibre reinforcement
Plastic rings conductive: PP plastic with glass fibre reinforcement
Axial locking rings conductive: PP plastic with glass fibre reinforcement
Adjustment knobs: PA & EDS plastic
Threaded shaft inside joints: Stainless Steel

5) Duct connector: conductive EPDM Rubber

6) Swivel: Aluminum, conductive powder coating
Rivets: Aluminum
Bearings swivel conductive: PP plastic with glass fibre reinforcement

BenchTop Extraction Arm FX2 50 ESD/EX



- FX2-ESD/EX-D50-L700-Up/Down-Low
Delenummer: (70601244)

Maks. arbeidsradius: 630 mm (24,8 in)

A: 400 mm (15,7 in)

B: -

- FX2-ESD/EX-D50-L1100-Down-Low

Delenummer: 70601744

Maks. arbeidsradius: 1030 mm (40,5 in)

A: 400 mm (15,7 in)

B: 400 mm (15,7 in)

- FX2-ESD/EX-D50-L1500-Down-Low

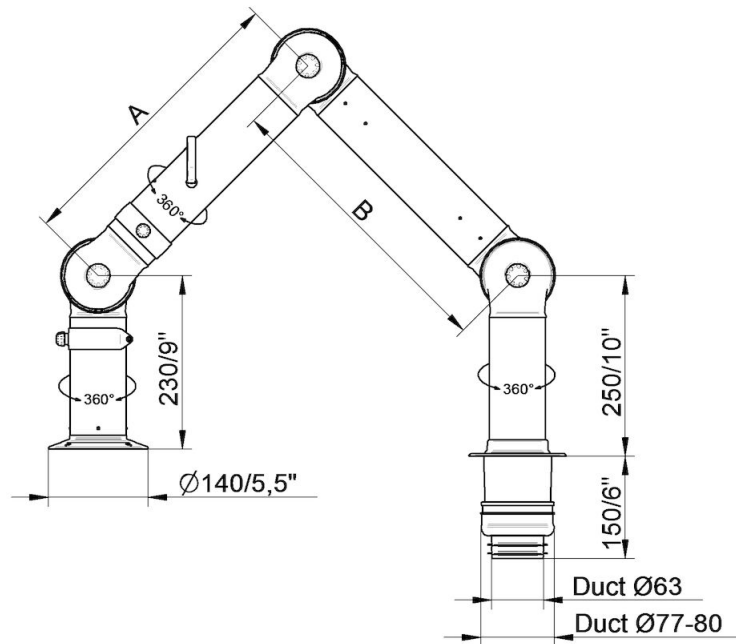
Delenummer: 70602144

Maks. arbeidsradius: 1430 mm (56,3 in)

A: 500 mm (19,7 in)

B: 700 mm (27,6 in)

BenchTop Extraction Arm FX2 50 ESD/EX

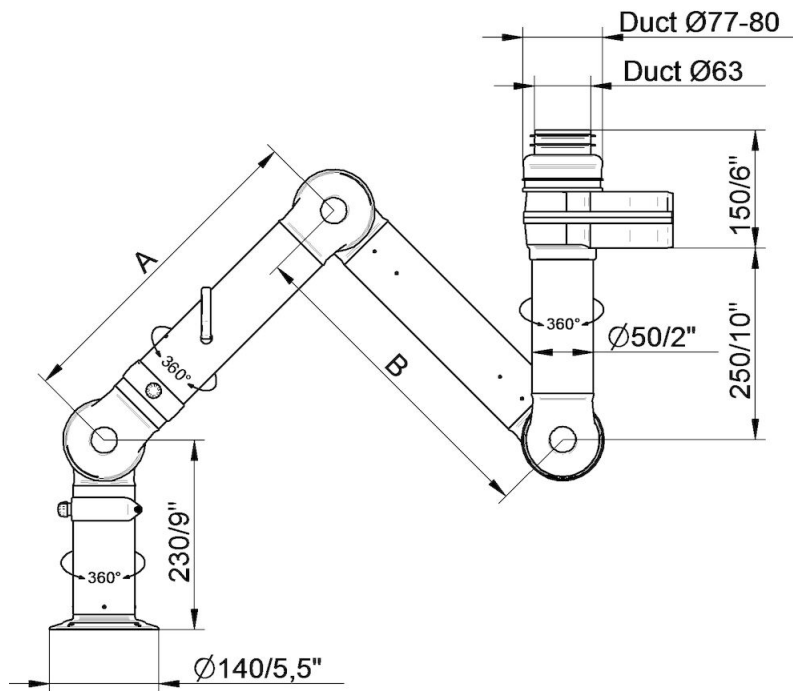


- FX2-ESD/EX-D50-L700-Up/Dow-Through
 Delenummer: 70601444
 Maks. arbejdsradius: 630 mm (24,8 in)
 A: 400 mm (15,7 in)
 B: -

- FX2-ESD/EX-D50-L1100-Down-Through
 Delenummer: 70601844
 Maks. arbejdsradius: 1030 mm (40,5 in)
 A: 400 mm (15,7 in)
 B: 400 mm (15,7 in)

- FX2-ESD/EX-D50-L1500-Down-Through
 Delenummer: 70602244
 Maks. arbejdsradius: 1430 mm (56,3 in)
 A: 500 mm (19,7 in)
 B: 700 mm (27,6 in)

BenchTop Extraction Arm FX2 50 ESD/EX

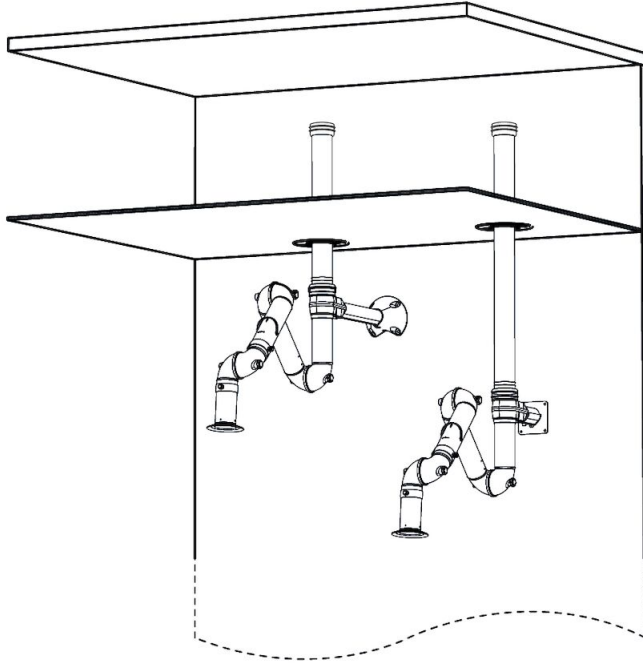


- FX2-ESD/EX-D50-L700-Up/Down-Low
Delenummer: (70601244)
Maks. arbeidsradius: 630 mm (24,8 in)
A: 400 mm (15,7 in)
B: -

- FX2-ESD/EX-D50-L1100-Up-Low
Delenummer: 70601544
Maks. arbeidsradius: 1030 mm (40,5 in)
A: 400 mm (15,7 in)
B: 400 mm (15,7 in)

- FX2-ESD/EX-D50-L1500-Up-Low
Delenummer: 70601944
Maks. arbeidsradius: 1430 mm (56,3 in)
A: 500 mm (19,7 in)
B: 700 mm (27,6 in)

BenchTop Extraction Arm FX2 50 ESD/EX



Wall mounting examples:

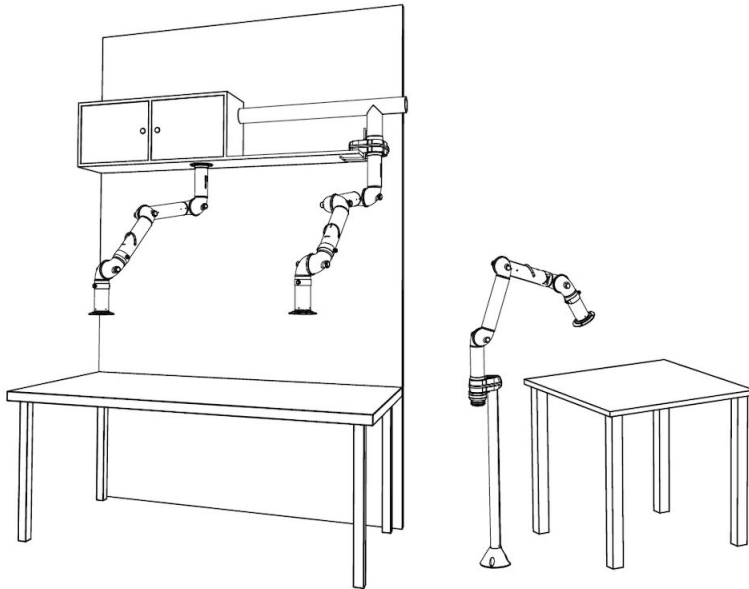
Left: FX2-Up-Low arm with following accessories:

- FX2-Bracket kit-D50/75/100-L500
- FX2-Ceiling cover plate-PLUS
- FX2-Alu duct
- FX2-Duct connector-ESD/EX-D75

Right: Up-Low arm with following accessories:

- FX2-Wall BRKT kit-Flat-L190-Black
- FX2-Ceiling cover plate-PLUS
- FX2-Alu duct
- FX2-Duct connector-ESD/EX-D75

BenchTop Extraction Arm FX2 50 ESD/EX



Other mounting examples:

Left: Overbench cabinet mounting with FX2-Up/Down-Through arm

Middle: Shelf mounting with FX2-Up-Low arm and following accessories:

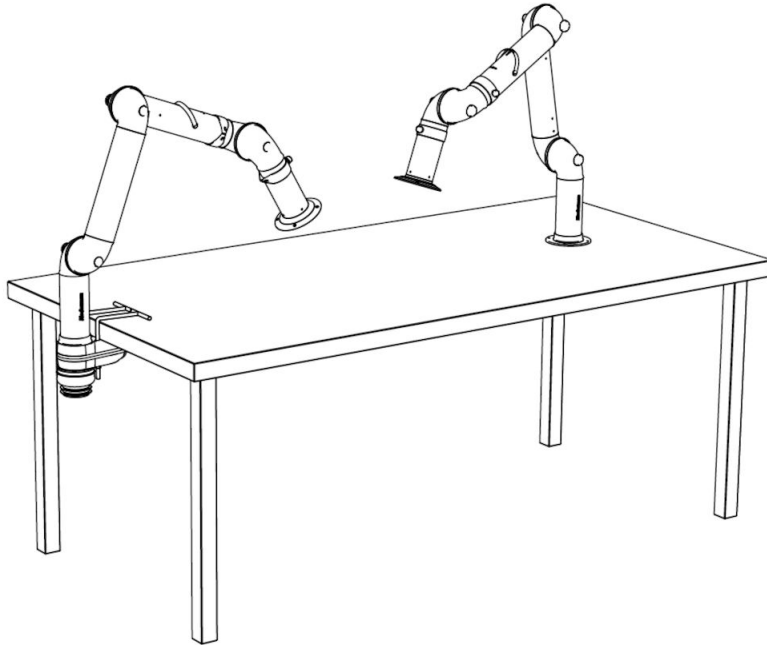
-FX2-Bench bracket kit

Right: Floor mounting with FX2-Up-Low arm and following accessories:

-FX-Classic bracket

-FX-Cut2fit extension-L1100

BenchTop Extraction Arm FX2 50 ESD/EX



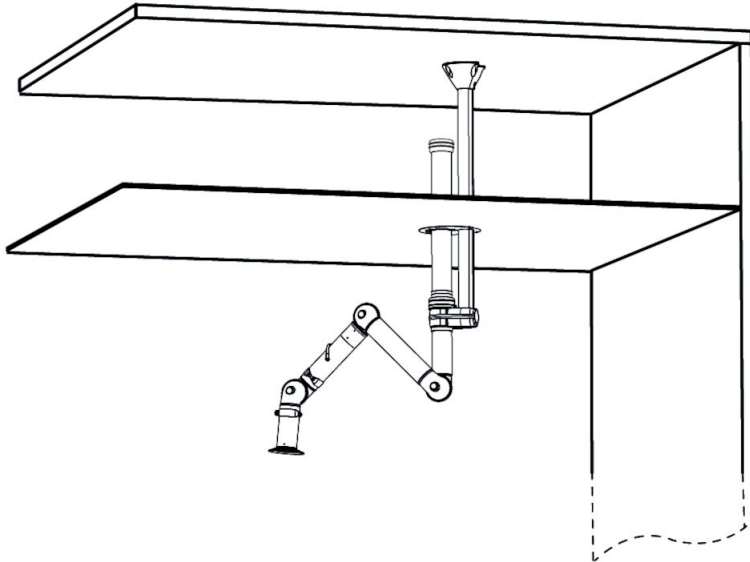
Bench mounting examples:

Left: FX2-Down-Low arm with following accessories:

-FX2-Bench bracket kit-D50/75/100

Right: FX2-Down-Through arm

BenchTop Extraction Arm FX2 50 ESD/EX



Ceiling mounting example:

Left: FX2-Up-Low arm with following accessories:

- FX-Classic bracket
- FX-Cut2fit extension-L1100
- FX2-Alu duct
- FX2-Duct connector-ESD/EX-D75
- FX-Ceiling cover plate