

BenchTop Extraction Arm FX2 100 CHEM

The best and most cost-efficient solution for extraction of hazardous airborne contaminants, in applications where small, flexible and easy-to-use arms are required.












Nederman FX2 arms are made of lightweight anodized aluminium sections, with three adjustable, composite friction joints. Offering strength and durability combined with easy handling, they can be used in many types of environment. They are especially suitable for applications where small, flexible and easy-to-use arms are required. With the profiles made of anodized aluminum with a white electrophoretic deposition coating, the arm is ideal for fume extraction in aggressive environments where corrosion resistance must be assured.

- Optimal efficiency and low noise provides safe and quiet working environment
- Ceilings, walls and floors or fixed to worktops mountings and cut2fit extension profile gives maximum installation flexibility
- The two outermost arm joints can rotate and swivel through 360°, which gives the unique maneuverability
- The lean, smooth and aesthetic design allows arms to fit in well in any environment without compromising its durability and reliability
- Highly integrated products that save customers' time and costs, as well as providing the reliability and functionality to deliver a better performance

Produktnavn	BenchTop Extraction Arm FX2 100 CHEM
Støynivå (dB(A))	62 dB(A) at 450 m ³ /h
Installasjon	Innendørs
Materiale	Rør i eloksert aluminium med en hvit elektro deponering belegg. Leddene i PP plast Kanal tilkobling i EPDM gummi Minihette i PP plast
Damptemperatur	max 70°C
Ekstraheringsarm, diameter (mm)	100
Luftstrøm (m ³ /t)	200 - 450
Farge	White



BenchTop Extraction Arm FX2 100 CHEM

Bilde	Navn på datablad	Armlengde (m)	Vekt (kg)	Model
	FX2-CHEM-D100-L1200-Up/Down-Low	1,2	4,8	70605644*
	FX2-CHEM-D100-L1200-Up-PLUS	1,2	5,9	70605744**
	FX2-CHEM-D100-L1200-Up/Down-Through	1,2	4,1	70605844***
	FX2-CHEM-D100-L1800-Up-Low	1,8	5,9	70605944****
	FX2-CHEM-D100-L1800-Up-PLUS	1,8	7,7	70606044**
	FX2-CHEM-D100-L1800-Down-Low	1,8	5,9	70606144*****
	FX2-CHEM-D100-L1800-Down-Through	1,8	5,9	70606244*****
	FX2-CHEM-D100-L2400-Up-Low	2,4	6,9	70606344****
	FX2-CHEM-D100-L2400-Up-PLUS	2,4	8,7	70606444**

*Up/Down-Low

**Up-PLUS

***Up/Down-Through

****Up-Low

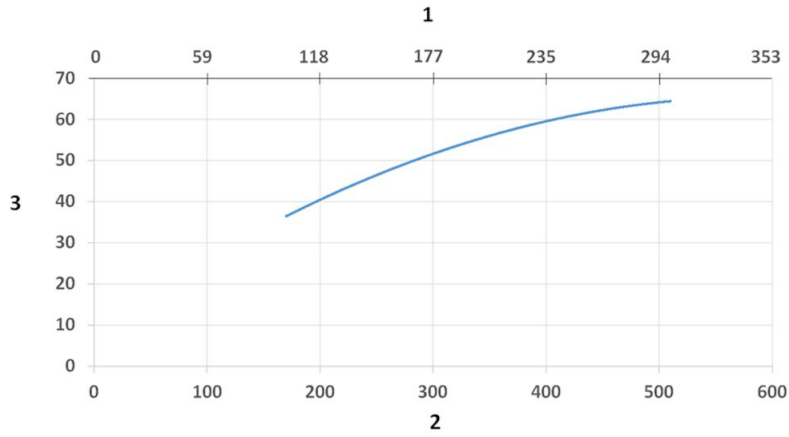
*****Down-Low

*****Down-Through

BenchTop Extraction Arm FX2 100 CHEM

	Tilbehør	Artikkelnummer
	FX2-Duct connector-ORIG/CHEM-D100	70377040
	FX-Brakett kit-D50 / 75/100-L190.	70501144
	FX2-Brakettsett-D50/75/100-L500	70377042
	FX2-Wall BRKT kit-Flat-L190-White	70377043
	FX2-Wall-P BRKT kit-D50/75/100-L190	70377046
	FX2-Bench brakett kit-D50 / 75/100	70501444
	FX-Classic brakett-D50 / 75/100	70501244
	FX-Cut2fit extension-L1100.	70501344
	FX-Cut2fit extension-L2200.	70374600
	FX-Tak dekkplate	70502644
	FX2-Tak dekkplate-PLUS	70377045
	FX-Combi hette-CHEM-D50 / 75/100.	70500344
	FX-Dome hette-CHEM-D50 / 75/100.	70376984
	FX-Metal hette-ORIG / CHEM-D50 / 75/100	70500444
	FX-Flange hette-CHEM-D50 / 75/100.	70503044
	FX2-Al duct-L1000-D75/100toD100-WHT.	70377054
	FX2-Al duct-L2000-D75/100toD100-WHT	70377055
	FX-Hose-D100-L3000-Grey	70377099
	FX-Hose D125-L5000-Grey	70377100
	FX2-Hose support ring-D100	70377068
	FX2-Hose support ring-D125	70377069

BenchTop Extraction Arm FX2 100 CHEM



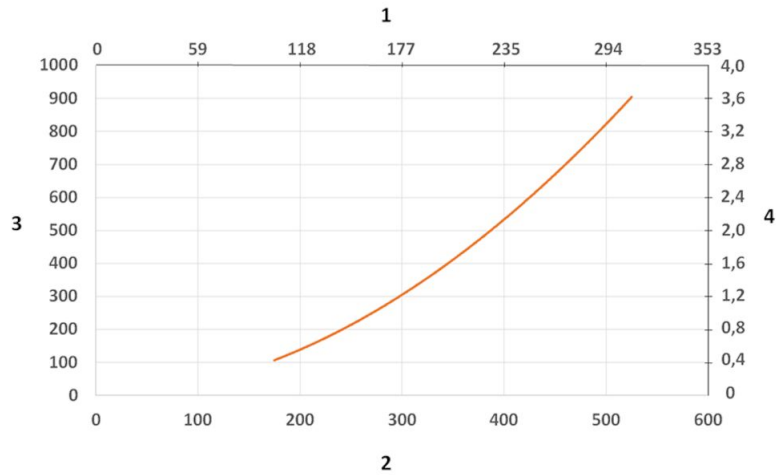
Sound Level diagram:

1) X- Axis: Air Flow Rate (cfm)

2) X- Axis: Air Flow Rate (m/h)

3) Y-Axis: Sound Pressure Level (dB) (A)

BenchTop Extraction Arm FX2 100 CHEM



Pressure Drop diagram:

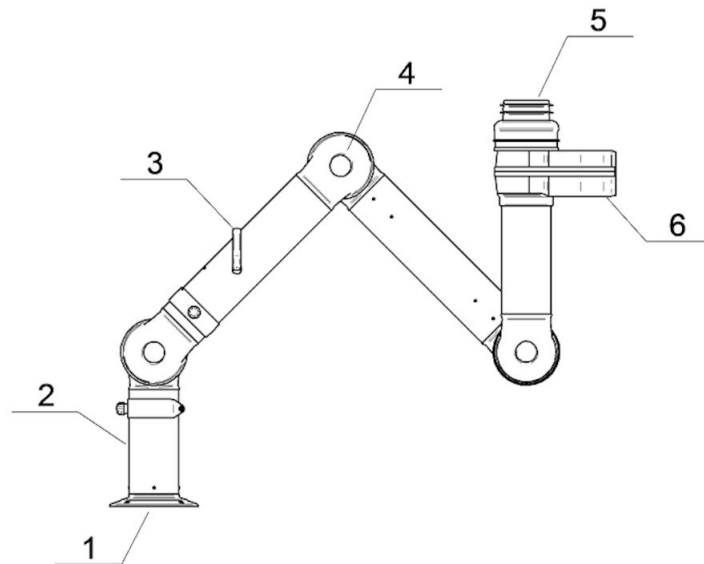
1) X- Axis: Air Flow Rate (cfm)

2) X- Axis: Air Flow Rate (m/h)

3) Y- Axis: Static Pressure Drop (Pa)

4) Y- Axis: Static Pressure Drop (in. wg.)

BenchTop Extraction Arm FX2 100 CHEM



Material:

1) Flange: PP

2) Tubes: Aluminum: anodized 10 µm, with white electrophoretic deposition coating

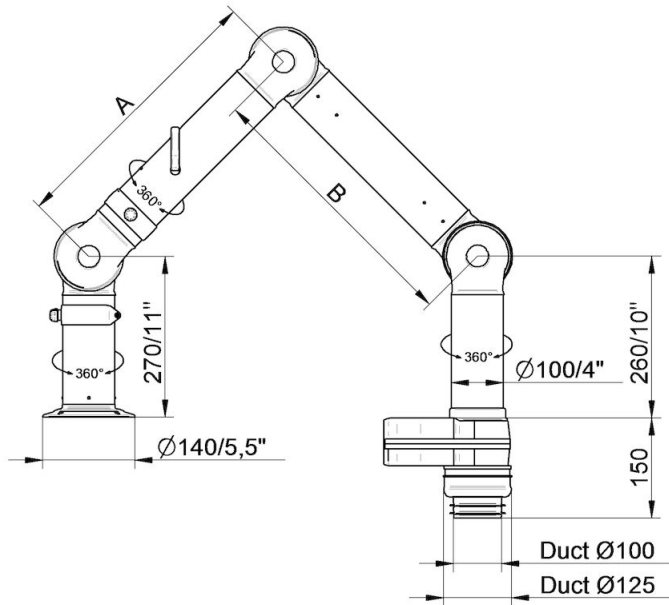
3) Damper adjustment handle: Aluminum: anodized 10 µm
Internal spring: Stainless steel
Damper blade: Conductive TP & PP plastic

4) Joints: PP with glass fibre reinforcement
Plastic rings: PP with glass fibre reinforcement
Axial locking rings: PP with glass fibre reinforcement
Adjustment knobs: PA & EDS plastic
Threaded shaft inside joints: Stainless Steel

5) Duct connector: EPDM Rubber

6) Swivel: Aluminum, powder coating
Rivets: Aluminum
Bearings swivel: PP with glass fibre reinforcement

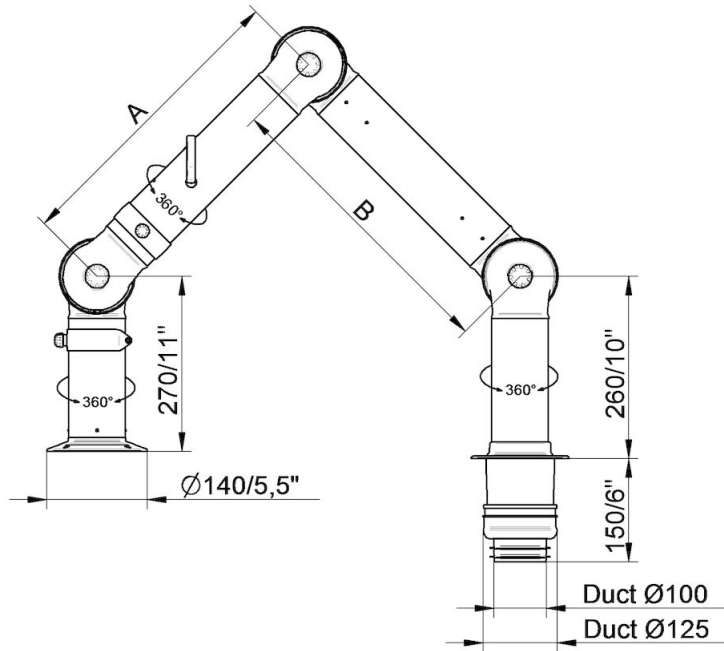
BenchTop Extraction Arm FX2 100 CHEM



- FX2-CHEM-D100-L1200-Up/Down-Low
Delenummer: 70605644
Maks. arbeidsradius: 1170 mm (46,1 in)
A: 450 mm (17,7 in)
B: 450 mm (17,7 in)

- FX2-CHEM-D100-L1800-Down-Low
Delenummer: 70606144
Maks. arbeidsradius: 1770 mm (69,7 in)
A: 750 mm (29,5 in)
B: 750 mm (29,5 in)

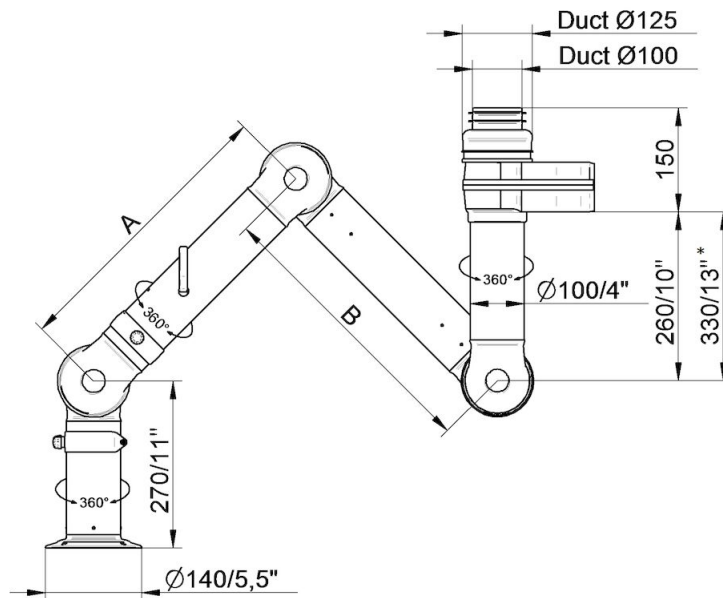
BenchTop Extraction Arm FX2 100 CHEM



- FX2-CHEM-D100-L1200-Up/Down-Through
 Delenummer: 70605844
 Maks. arbetsradius: 1170 mm (46,1 in)
 A: 450 mm (17,7 in)
 B: 450 mm (17,7 in)

- FX2-CHEM-D100-L1800-Down-Through
 Delenummer: 70606244
 Maks. arbetsradius: 1770 mm (69,7 in)
 A: 750 mm (29,5 in)
 B: 750 mm (29,5 in)

BenchTop Extraction Arm FX2 100 CHEM

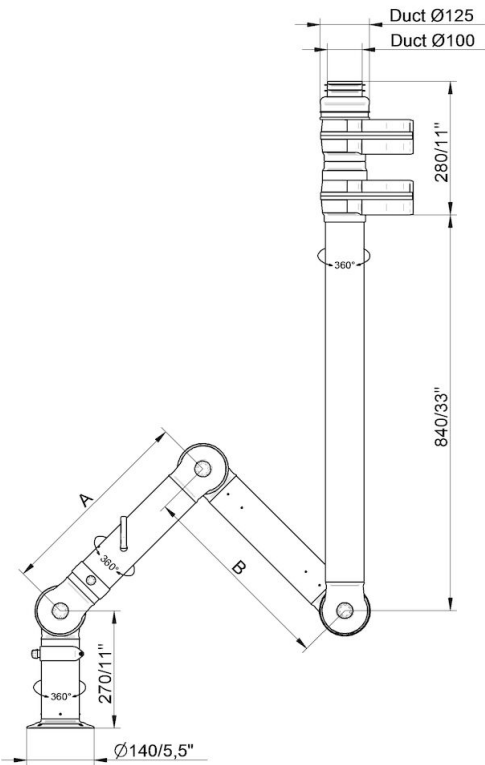


- FX2-CHEM-D100-L1200-Up/Down-Low
 Delenummer: 70605644
 Maks. arbeidsradius: 1170 mm (46,1 in)
 A: 450 mm (17,7 in)
 B: 450 mm (17,7 in)

- FX2-CHEM-D100-L1800-Up-Low
 Delenummer: 70605944
 Maks. arbeidsradius: 1770 mm (69,7 in)
 A: 750 mm (29,5 in)
 B: 750 mm (29,5 in)

- * • FX2-CHEM-D100-L2400-Up-Low
 Delenummer: 70606344
 Maks. arbeidsradius: 2290 mm (90,2 in)
 A: 1010 mm (39,7 in)
 B: 1010 mm (39,7 in)

BenchTop Extraction Arm FX2 100 CHEM

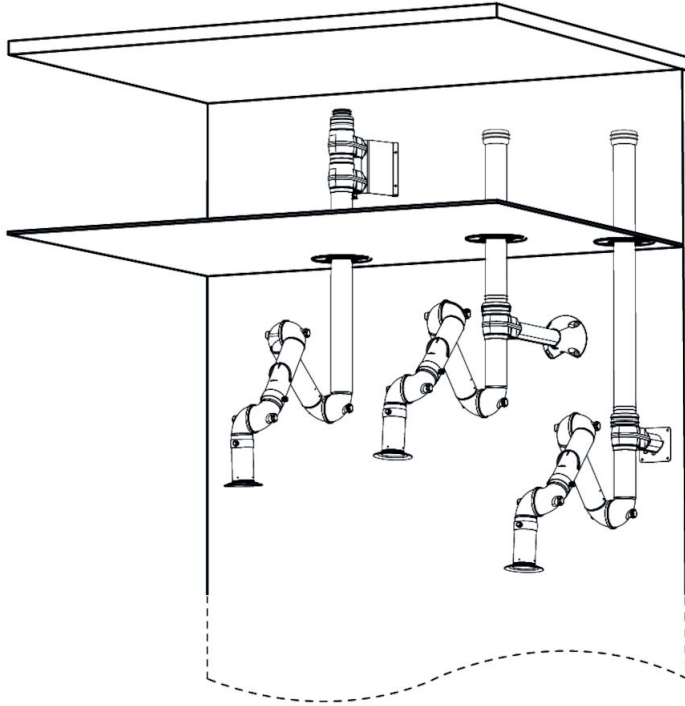


- FX2-CHEM-D100-L1200-Up-PLUS
 Delenummer: 70605744
 Maks. arbeidsradius: 1170 mm (46,1 in)
 A: 450 mm (17,7 in)
 B: 450 mm (17,7 in)

- FX2-CHEM-D100-L1800-Up-PLUS
 Delenummer: 70606044
 Maks. arbeidsradius: 1770 mm (69,7 in)
 A: 750 mm (29,5 in)
 B: 750 mm (29,5 in)

- FX2-CHEM-D100-L2400-Up-PLUS
 Delenummer: 70606444
 Maks. arbeidsradius: 2290 mm (90,2 in)
 A: 1010 mm (39,7 in)
 B: 1010 mm (39,7 in)

BenchTop Extraction Arm FX2 100 CHEM



Wall mounting examples:

Left: FX2-Up-PLUS arm with following accessories:

- FX2-Wall-P BRKT kit-D50/75/100-L190
- FX2-Ceiling cover plate-PLUS

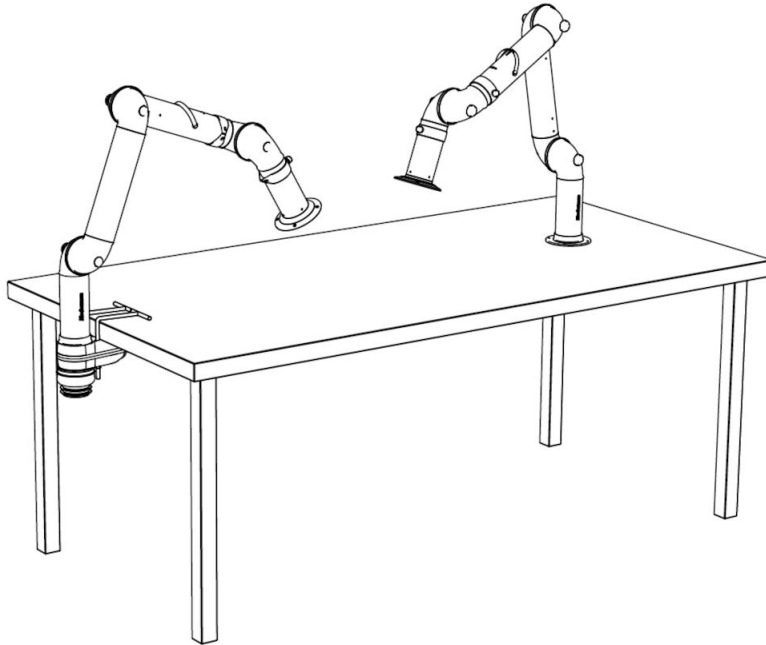
Middle: FX2-Up-Low arm with following accessories:

- FX2-Bracket kit-D50/75/100-L500
- FX2-Ceiling cover plate-PLUS
- FX2-Alu duct-WHT
- FX2-Duct connector-ORIG/CHEM-D100

Right: FX2-Up-Low arm with following accessories:

- FX2-Wall BRKT kit-Flat-L190-White
- FX2-Ceiling cover plate-PLUS
- FX2-Alu duct-WHT
- FX2-Duct connector-ORIG/CHEM-D100

BenchTop Extraction Arm FX2 100 CHEM



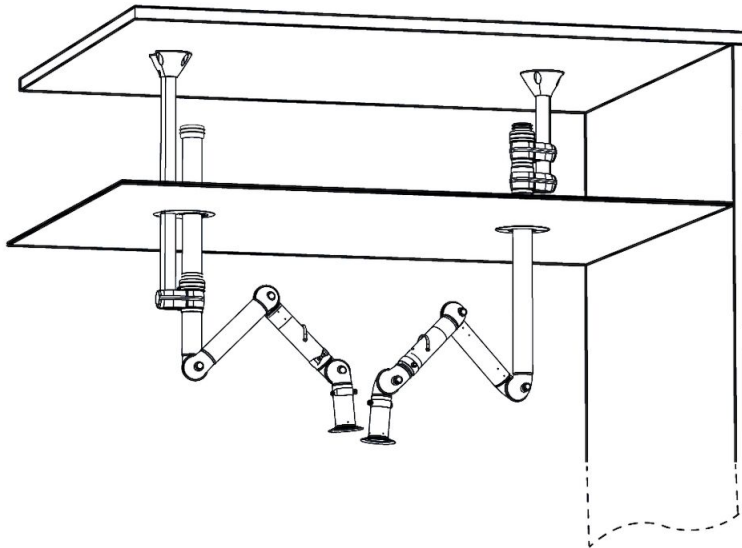
Bench mounting examples:

Left: FX2-Down-Low arm with following accessories:

-FX2-Bench bracket kit-D50/75/100

Right: FX2-Down-Through arm

BenchTop Extraction Arm FX2 100 CHEM



Ceiling mounting example:

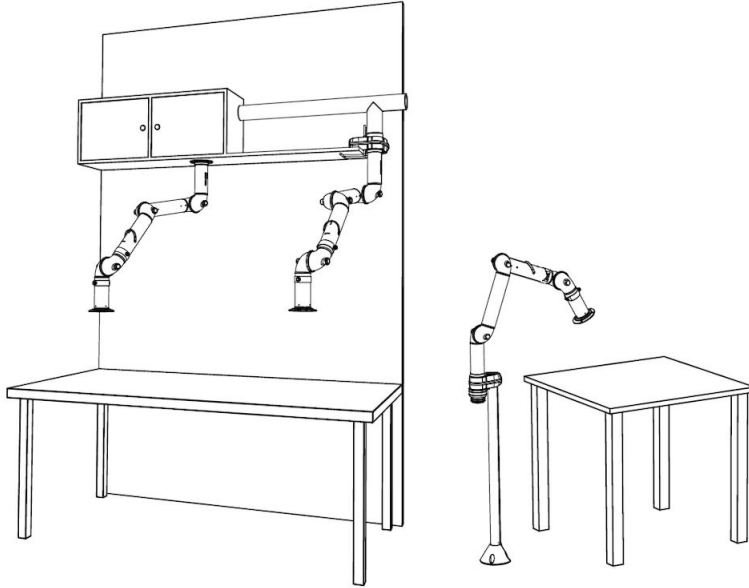
Left: FX2-Up-Low arm with following accessories:

- FX-Classic bracket
- FX-Cut2fit extension-L1100
- FX2-Alu duct-WHT
- FX2-Duct connector-ORIG/CHEM-D100
- FX-Ceiling cover plate

Right: FX2-Up-PLUS arm with following accessories:

- FX2-Bracket kit-D50/75/100-L500
- FX2-Ceiling cover plate-PLUS

BenchTop Extraction Arm FX2 100 CHEM



Other mounting examples:

Left: Overbench cabinet mounting with FX2-Up/Down-Through arm

Middle: Shelf mounting with FX2-Up-Low arm and following accessories:

-FX2-Bench bracket kit