

BenchTop Extraction Arm FX2 100 ESD/EX

The best and most cost-efficient solution for extraction of hazardous airborne contaminants, in applications where small, flexible and easy-to-use arms are required.



Nederman FX2 arms are made of lightweight anodized aluminium sections, with two or three adjustable, composite friction joints. Offering strength and durability combined with easy handling, they can be used in many types of environment. They are especially suitable for applications where small, flexible and easy-to-use arms are required.

The arm is designed for use in electronic environments where there is a risk of electrostatic discharges. The ESD/EX can also be used for certain applications in potentially explosive atmospheres.

Recommended for use in zone 1, 2 and 21, 22.

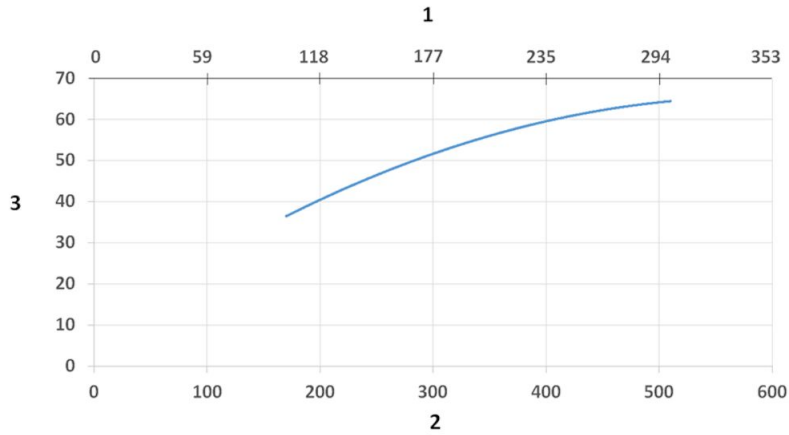
- Optimal efficiency and low noise provides safe and quiet working environment
- Ceilings, walls and floors or fixed to worktops mountings and cut2fit extension profile gives maximum installation flexibility
- The two outermost arm joints can rotate and swivel through 360°, which gives the unique maneuverability
- The lean, smooth and aesthetic design allows arms to fit in well in any environment without compromising its durability and reliability
- Highly integrated products that save customers' time and costs, as well as providing the reliability and functionality to deliver a better performance

Nom du produit	BenchTop Extraction Arm FX2 100 ESD/EX
Niveau sonore (dB(A))	62 dB(A) at 450 m ³ /h
Installation	Intérieur
Matériel	Réalisé en profils d'aluminium anodisé Joints en conductive PP (polypropène) Raccords de tuyaux en conductive EPDM (caoutchouc)
Température de la fumée	max 70°C
Diamètre du bras d'extraction (mm)	100
Débit (m ³ /h)	200 - 450



BenchTop Extraction Arm FX2 100 ESD/EX

BenchTop Extraction Arm FX2 100 ESD/EX



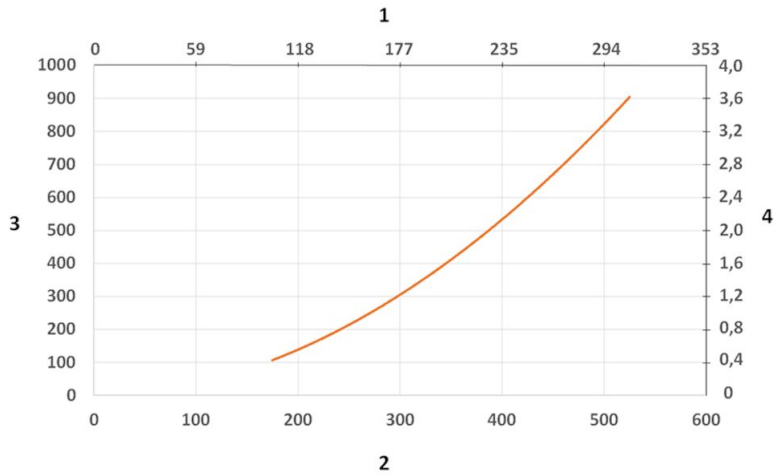
Sound Level diagram:

1) X- Axis: Air Flow Rate (cfm)

2) X- Axis: Air Flow Rate (m/h)

3) Y-Axis: Sound Pressure Level (dB) (A)

BenchTop Extraction Arm FX2 100 ESD/EX

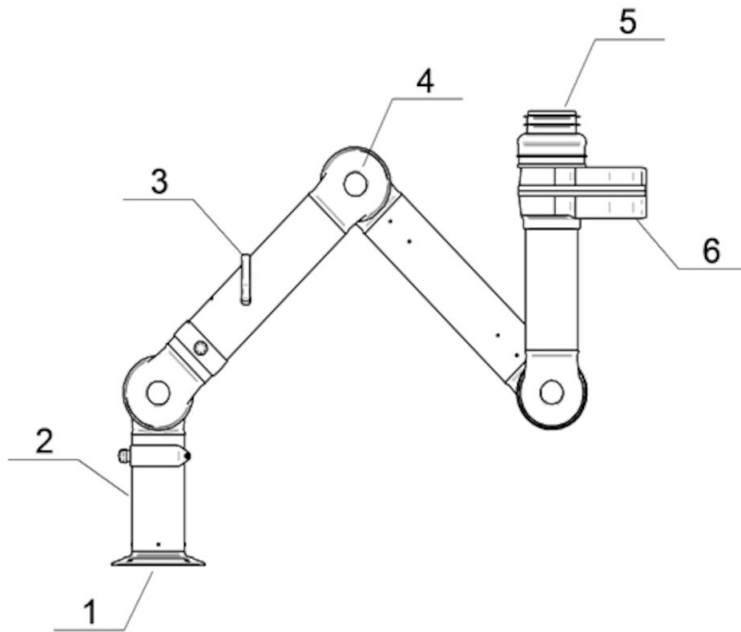


Pressure Drop diagram:

- 1) X- Axis: Air Flow Rate (cfm)
- 2) X- Axis: Air Flow Rate (m/h)

- 3) Y- Axis: Static Pressure Drop (Pa)
- 4) Y- Axis: Static Pressure Drop (in. wg.)

BenchTop Extraction Arm FX2 100 ESD/EX



Material:

1) Flange: Conductive PP plastic

2) Tubes: Aluminum, anodized 10 µm

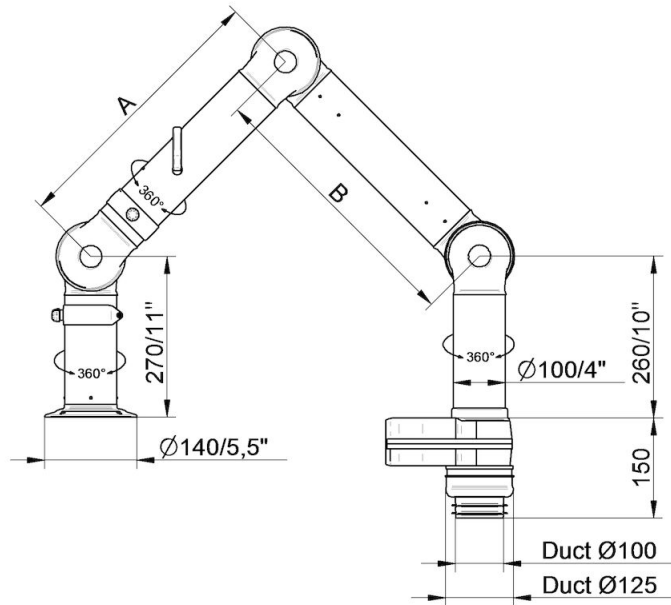
3) Damper adjustment handle: Aluminum: anodized 10 µm
Internal spring: Stainless steel
Damper blade: Conductive TP & PP plastic

4) Joints conductive: PP plastic with glass fibre reinforcement
Plastic rings conductive: PP plastic with glass fibre reinforcement
Axial locking rings conductive: PP plastic with glass fibre reinforcement
Adjustment knobs: PA & EDS plastic
Threaded shaft inside joints: Stainless Steel

5) Duct connector: conductive EPDM Rubber

6) Swivel: Aluminum, conductive powder coating
Rivets: Aluminum
Bearings swivel conductive: PP plastic with glass fibre reinforcement

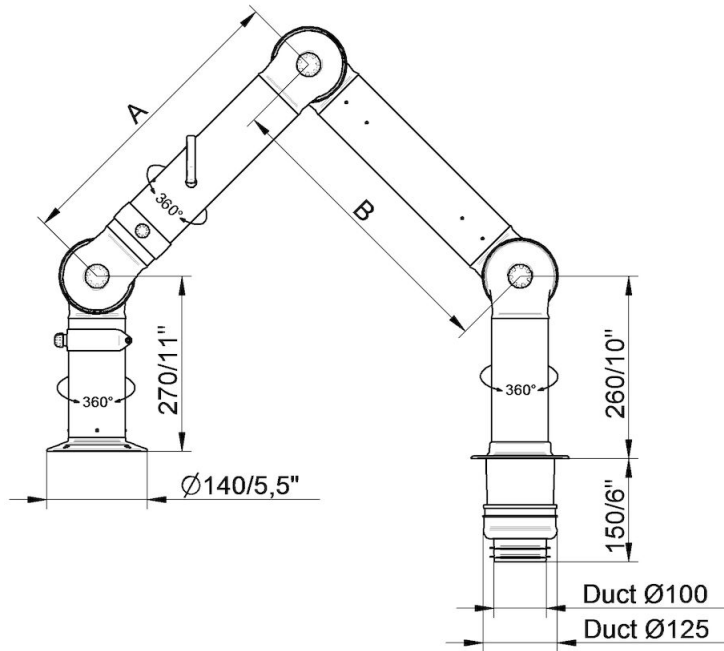
BenchTop Extraction Arm FX2 100 ESD/EX



- FX2-ESD/EX-D100-L1200-Up/Down-Low
Part number: 70606544
Max. rayon d'action: 1170 mm (46,1 in)
A: 450 mm (17,7 in)
B: 450 mm (17,7 in)

- FX2-ESD/EX-D100-L1800-Down-Low
Part number: 70607044
Max. rayon d'action: 1770 mm (69,7 in)
A: 750 mm (29,5 in)
B: 750 mm (29,5 in)

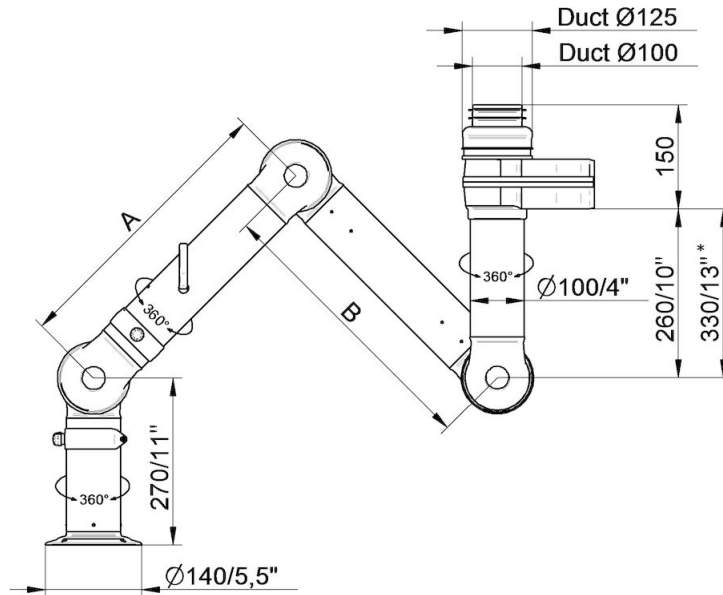
BenchTop Extraction Arm FX2 100 ESD/EX



- FX2-ESD/EX-D100-L1200-Up/Down-Thru
Part number: 70606744
Max. rayon d'action: 1170 mm (45,1 in)
A: 450 mm (17,7 in)
B: 450 mm (17,7 in)

- FX2-ESD/EX-D100-L1800-Down-Through
Part number: 70607144
Max. rayon d'action: 1770 mm (69,7 in)
A: 750 mm (29,5 in)
B: 750 mm (29,5 in)

BenchTop Extraction Arm FX2 100 ESD/EX

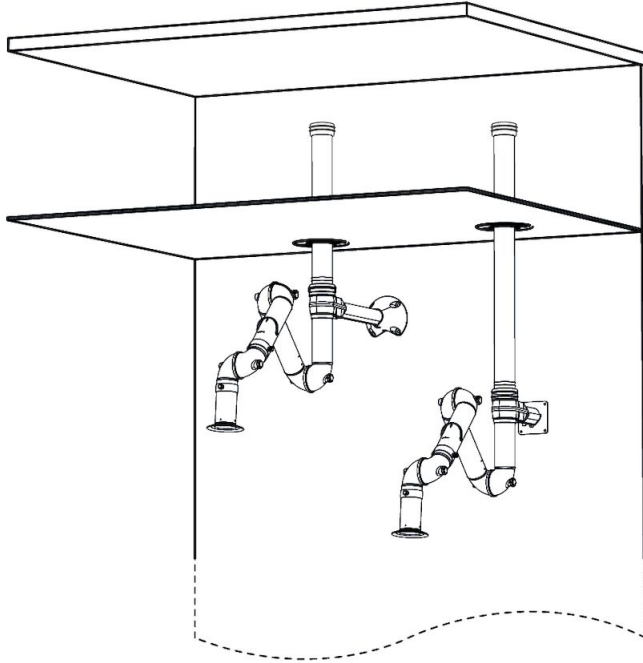


- FX2-ESD/EX-D100-L1200-Up/Down-Low
Part number: 70606544
Max. rayon d'action: 1170 mm (46,1 in)
A: 450 mm (17,7 in)
B: 450 mm (17,7 in)

- FX2-ESD/EX-D100-L1800-Up-Low
Part number: 70606844
Max. rayon d'action: 1770 mm (69,7 in)
A: 750 mm (29,5 in)
B: 750 mm (29,5 in)

- * • FX2-ESD/EX-D100-L2400-Up-Low
Part number: 70607244
Max. rayon d'action: 2290 (90,16 in)
A: 1010 mm (39,7 in)
B: 1010 mm (39,7 in)

BenchTop Extraction Arm FX2 100 ESD/EX



Wall mounting examples:

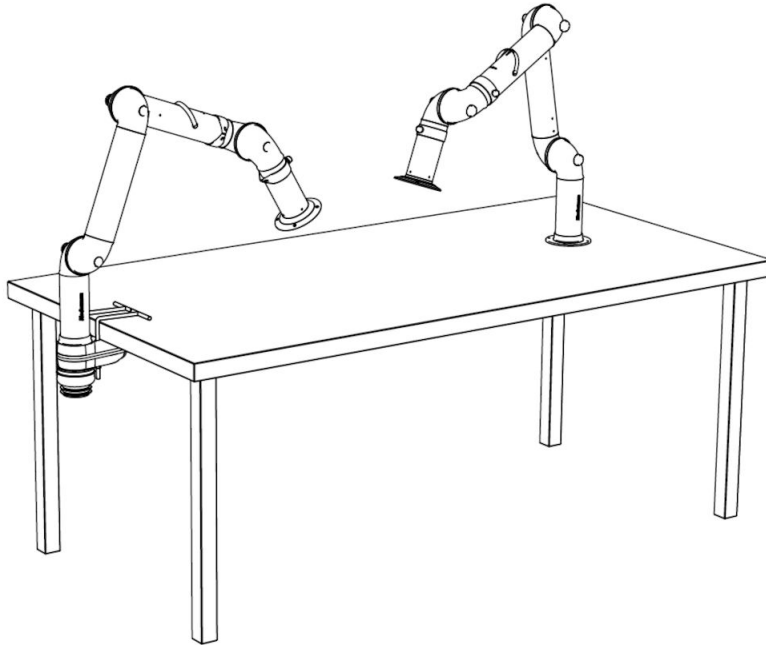
Left: FX2-Up-Low arm with following accessories:

- FX2-Bracket kit-D50/75/100-L500
- FX2-Ceiling cover plate-PLUS
- FX2-Alu duct
- FX2-Duct connector-ESD/EX-D100

Right: FX2-Up-Low arm with following accessories:

- FX2-Wall BRKT kit-Flat-L190-Black
- FX2-Ceiling cover plate-PLUS
- FX2-Alu duct
- FX2-Duct connector-ESD/EX-D100

BenchTop Extraction Arm FX2 100 ESD/EX



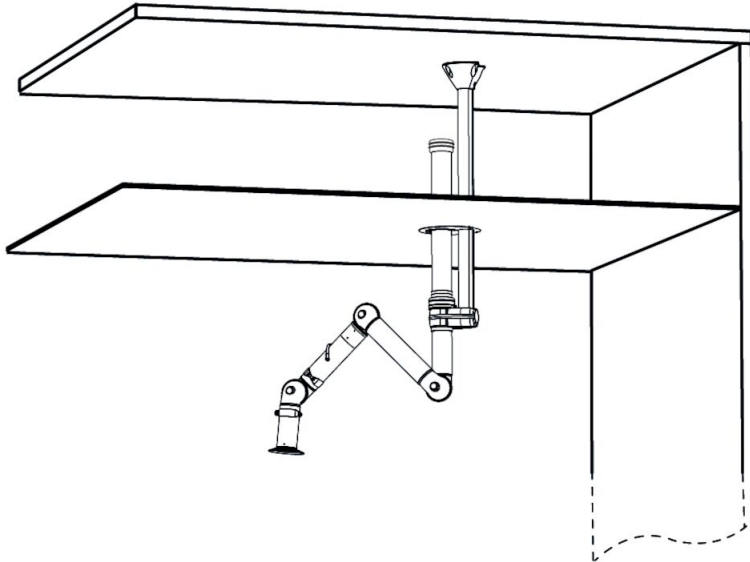
Bench mounting examples:

Left: FX2-Down-Low arm with following accessories:

-FX2-Bench bracket kit-D50/75/100

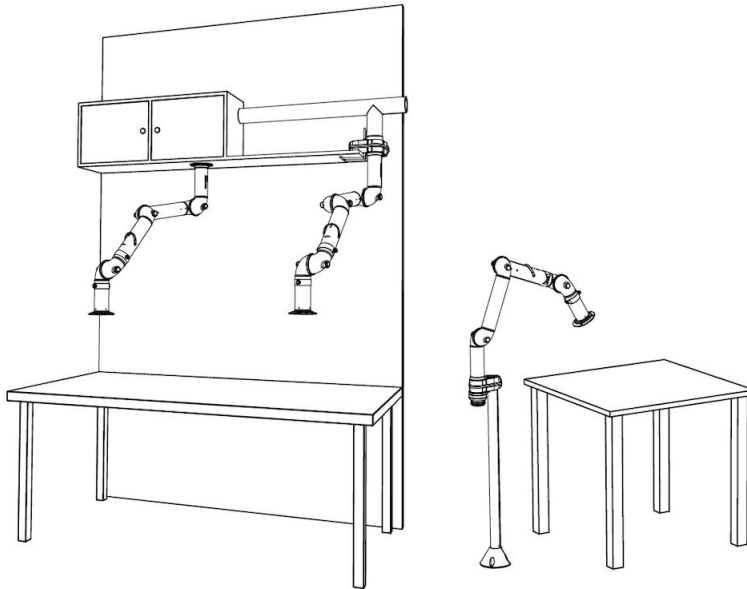
Right: FX2-Down-Through arm

BenchTop Extraction Arm FX2 100 ESD/EX



- Ceiling mounting example:
FX2-Up-Low arm with following accessories:
- FX-Classic bracket
 - FX-Cut2fit extension-L1100
 - FX2-Alu duct
 - FX2-Duct connector-ESD/EX-D100
 - FX-Ceiling cover plate

BenchTop Extraction Arm FX2 100 ESD/EX



Other mounting examples:

Left: Overbench cabinet mounting with FX2-Up/Down-Through arm

Middle: Shelf mounting with FX2-Up-Low arm and following accessories:

-FX2-Bench bracket kit

Right: Floor mounting with FX2-Up-Low arm and following accessories:

-FX-Classic bracket

-FX-Cut2fit extension-L1100