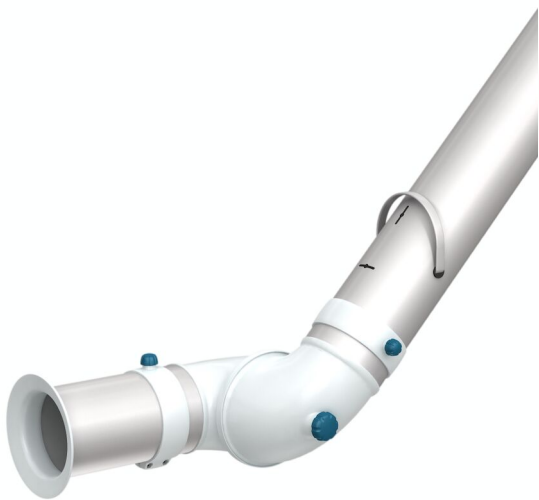


BenchTop Extraction Arm FX2 100 Original

The best and most cost-efficient solution for extraction of hazardous airborne contaminants, in applications where small, flexible and easy-to-use arms are required.



Nederman FX2 arms are made of lightweight anodized aluminium sections, with three adjustable, composite friction joints. Offering strength and durability combined with easy handling, they can be used in many types of environment. They are especially suitable for applications where small, flexible and easy-to-use arms are required. A robust and reliable all-round arm for general applications where there is little risk of electrical discharges or attack by aggressive chemicals.



- Optimal efficiency and low noise provides safe and quiet working environment
- Ceilings, walls and floors or fixed to worktops mountings and cut2fit extension profile gives maximum installation flexibility
- The two outermost arm joints can rotate and swivel through 360°, which gives the unique maneuverability
- The lean, smooth and aesthetic design allows arms to fit in well in any environment without compromising its durability and reliability
- Highly integrated products that save customers' time and costs, as well as providing the reliability and functionality to deliver a better performance

Nom du produit	BenchTop Extraction Arm FX2 100 Original
Niveau sonore (dB(A))	62 dB(A) at 450 m ³ /h
Installation	Intérieur
Matériel	Réalisé en profils d'aluminium anodisé joints en PP (polypropène) Raccords de tuyaux en EPDM (caoutchouc)
Température de la fumée	max 70°C
Diamètre du bras d'extraction (mm)	100
Débit (m ³ /h)	200-450

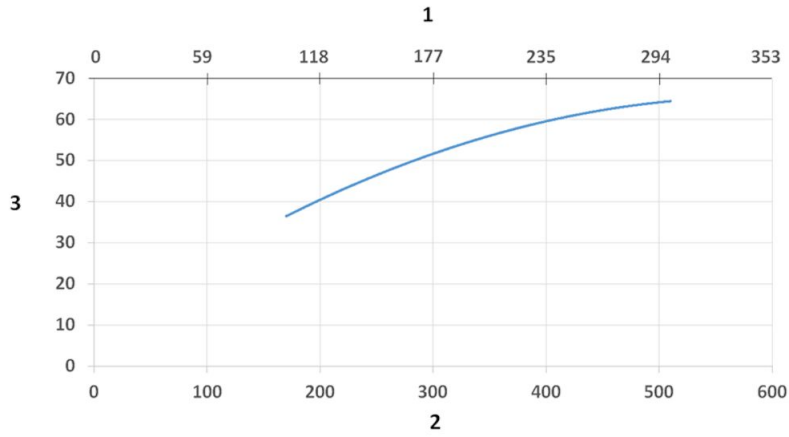


BenchTop Extraction Arm FX2 100 Original

BenchTop Extraction Arm FX2 100 Original

[accessory]		[partno]
	Hotte combinée FX-ORIGINAL-D50/75/100	70500144
	Hotte métallique FX-ORIG/CHEM-D50/75/100	70500444

BenchTop Extraction Arm FX2 100 Original



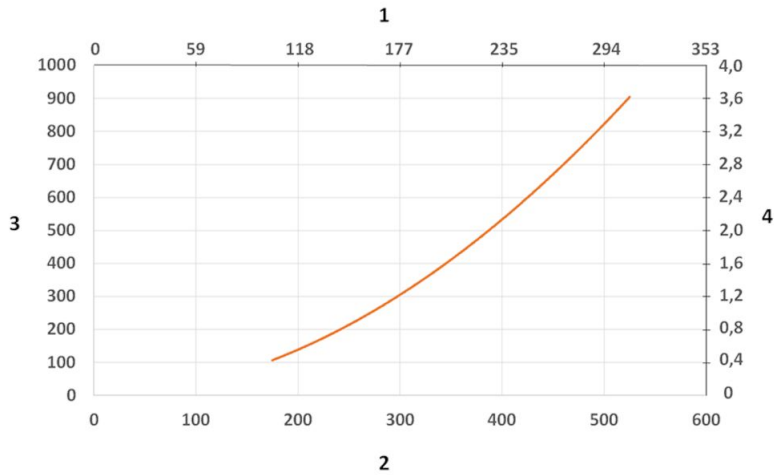
Sound Level diagram:

1) X- Axis: Air Flow Rate (cfm)

2) X- Axis: Air Flow Rate (m/h)

3) Y-Axis: Sound Pressure Level (dB) (A)

BenchTop Extraction Arm FX2 100 Original

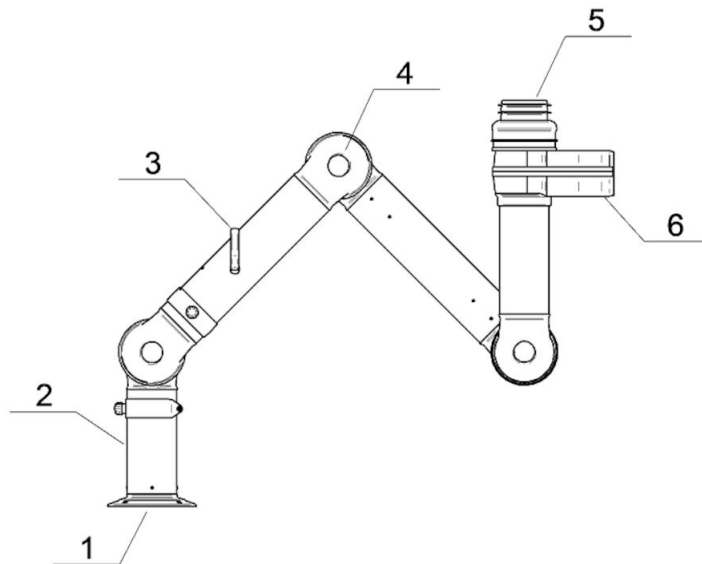


Pressure Drop diagram:

- 1) X- Axis: Air Flow Rate (cfm)
- 2) X- Axis: Air Flow Rate (m/h)

- 3) Y- Axis: Static Pressure Drop (Pa)
- 4) Y- Axis: Static Pressure Drop (in. wg.)

BenchTop Extraction Arm FX2 100 Original



Material:

1) Flange: PP

2) Tubes: Aluminum, anodized 10 µm

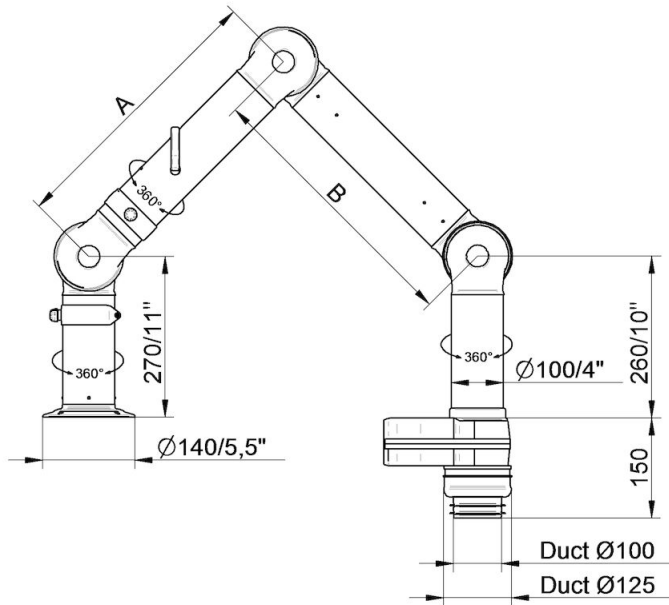
3) Damper adjustment handle: Aluminum, anodized 10 µm
Internal spring: Stainless steel
Damper blade: Conductive TP & PP plastic

4) Joints: PP with glass fibre reinforcement
Plastic rings: PP with glass fibre reinforcement
Axial locking rings: PP with glass fibre reinforcement
Adjustment knobs: PA & EDS plastic
Threaded shaft inside joints: Stainless Steel

5) Duct connector: EPDM Rubber

6) Swivel: Aluminum, powder coating
Rivets: Aluminum
Bearings swivel: PP plastic with glass fibre reinforcement

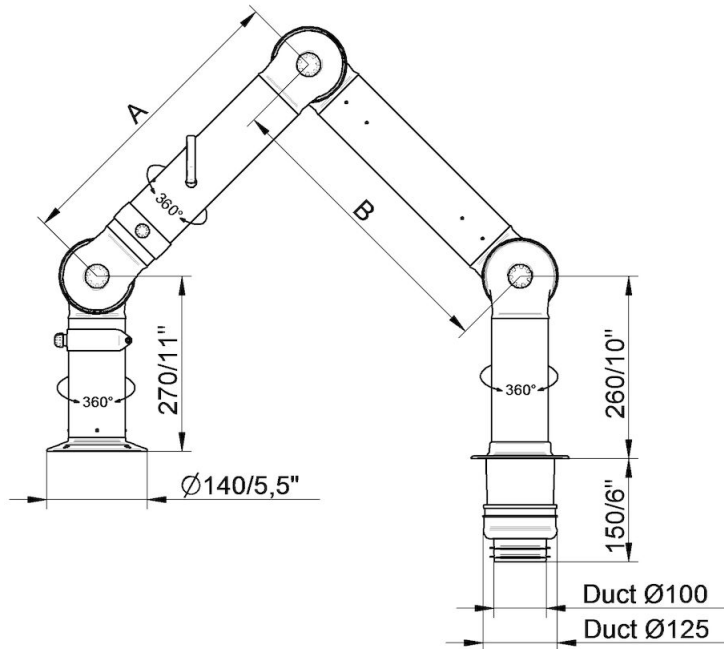
BenchTop Extraction Arm FX2 100 Original



- FX2-ORIG-D100-L1200-Up/Down-Low
Part number: 70604744
Max. rayon d'action: 1170 mm (46,1 in)
A: 450 mm (17,7 in)
B: 450 mm (17,7 in)

- FX2-ORIG-D100-L1800-Down-Low
Part number: 70605244
Max. rayon d'action: 1770 mm (69,7 in)
A: 750 mm (29,5 in)
B: 750 mm (29,5 in)

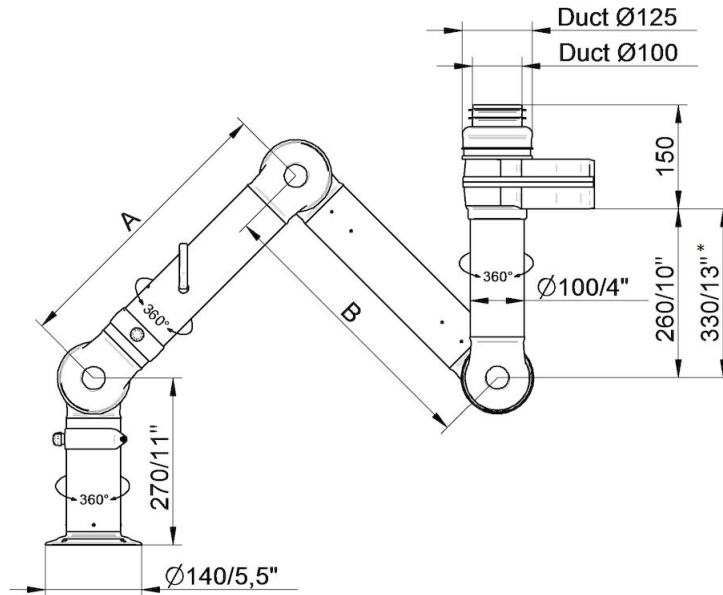
BenchTop Extraction Arm FX2 100 Original



- FX2-ORIG-D100-L1200-Up/Down-Through
Part number: 70604944
Max. rayon d'action: 1170 mm (46,1 in)
A: 450 mm (17,7 in)
B: 450 mm (17,7 in)

- FX2-ORIG-D100-L1800-Down-Through
Part number: 70605344
Max. rayon d'action: 1770 mm (69,7 in)
A: 750 mm (29,5 in)
B: 750 mm (29,5 in)

BenchTop Extraction Arm FX2 100 Original

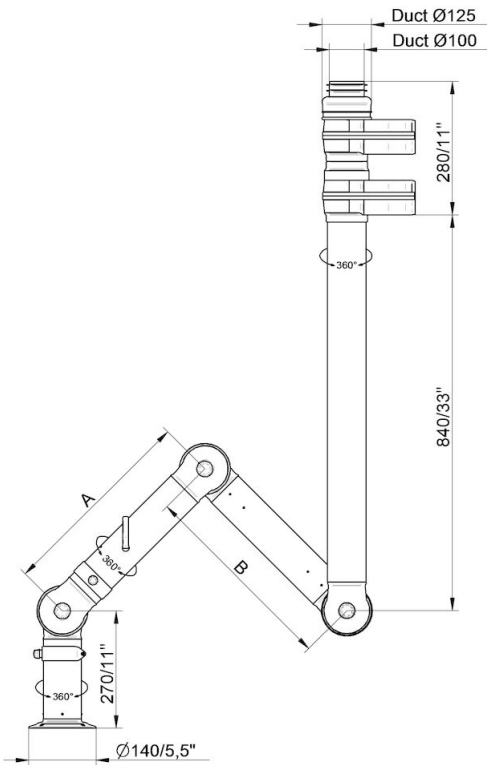


- FX2-ORIG-D100-L1200-Up/Down-Low
Part number: 70604744
Max. rayon d'action: 1170 mm (46,1 in)
A: 450 mm (17,7 in)
B: 450 mm (17,7 in)

- FX2-ORIG-D100-L1800-Up-Low
Part number: 70605044
Max. rayon d'action: 1770 mm (69,7 in)
A: 750 mm (29,5 in)
B: 750 mm (29,5 in)

- *
• FX2-ORIG-D100-L2400-Up-Low
Part number: 70605444
Max. rayon d'action: 2290 mm (90,2 in)
A: 1010 mm (39,7 in)
B: 1010 mm (39,7 in)

BenchTop Extraction Arm FX2 100 Original

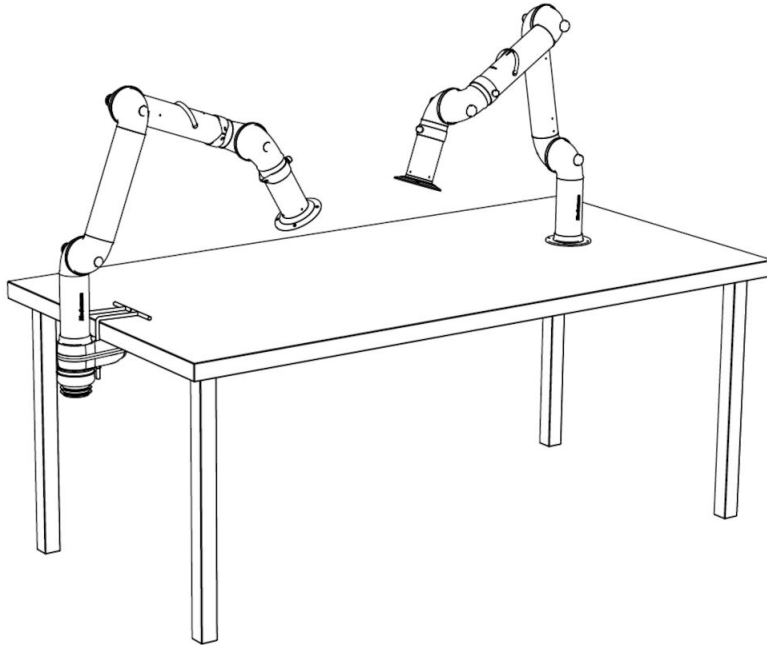


FX2-ORIG-D100-L1200-Up-PLUS
Part number: 70604844
Max. rayon d'action: 1170 mm (46,1 in)
A: 450 mm (17,7 in)
B: 450 mm (17,7 in)

• FX2-ORIG-D100-L1800-Up-PLUS
Part number: 70605144
Max. rayon d'action: 1770 mm (69,7 in)
A: 750 mm (29,5 in)
B: 750 mm (29,5 in)

• FX2-ORIG-D100-L2400-Up-PLUS
Part number: 70605544
Max. rayon d'action: 2290 mm (90,2 in)
A: 1010 mm (39,7 in)
B: 1010 mm (39,7 in)

BenchTop Extraction Arm FX2 100 Original



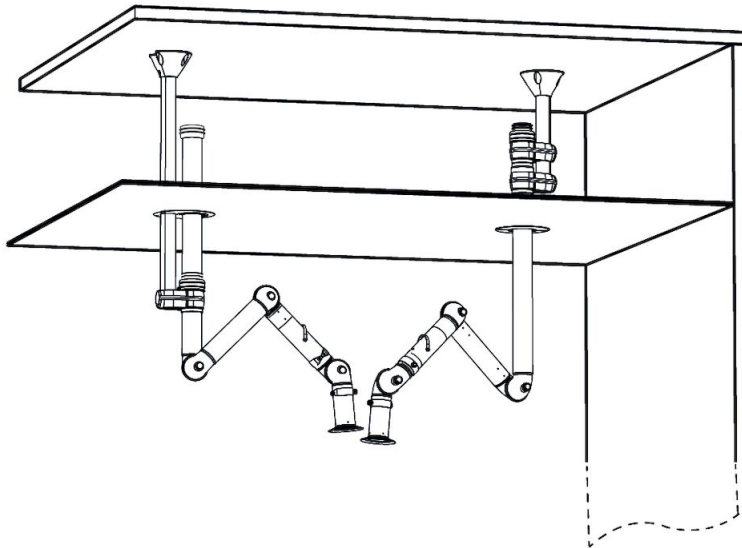
Bench mounting examples:

Left: FX2-Down-Low arm with following accessories:

-FX2-Bench bracket kit-D50/75/100

Right: FX2-Down-Through arm

BenchTop Extraction Arm FX2 100 Original



Ceiling mounting example:

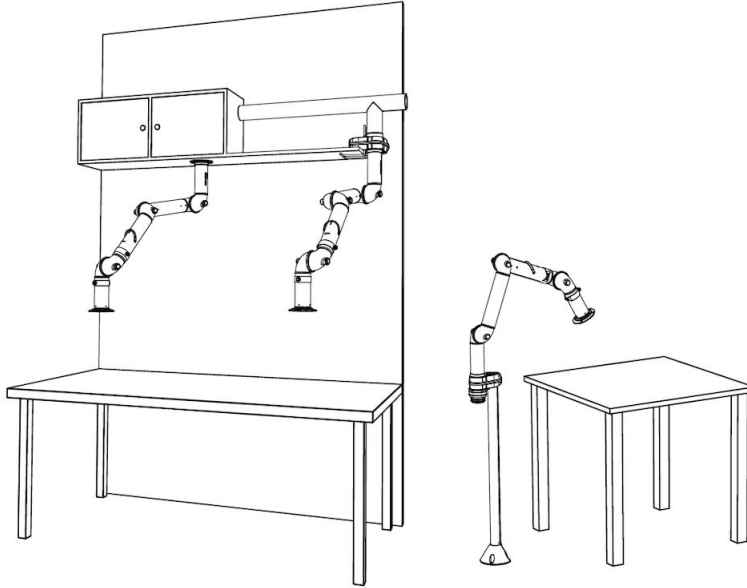
Left: FX2-Up-Low arm with following accessories:

- FX-Classic bracket
- FX-Cut2fit extension-L1100
- FX2-Alu duct
- FX2-Duct connector-ORIG/CHEM-D100
- FX-Ceiling cover plate

Right: FX2-Up-PLUS arm with following accessories:

- FX2-Bracket kit-D50/75/100-L500
- FX2-Ceiling cover plate-PLUS

BenchTop Extraction Arm FX2 100 Original



Other mounting examples:

Left: Overbench cabinet mounting with FX2-Up/Down-Through arm

Middle: Shelf mounting with FX2-Up-Low arm and following accessories:

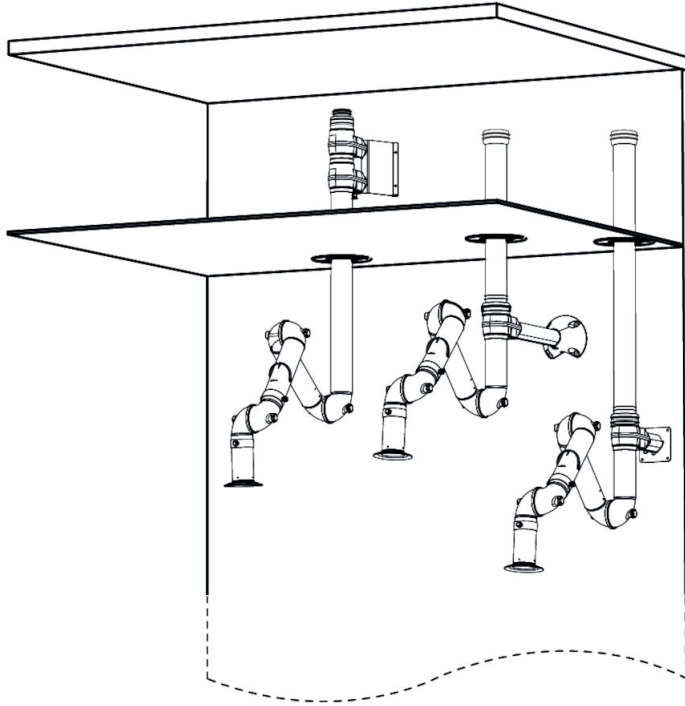
-FX2-Bench bracket kit

Right: Floor mounting with FX2-Up-Low arm and following accessories:

-FX-Classic bracket

-FX-Cut2fit extension-L1100

BenchTop Extraction Arm FX2 100 Original



Wall mounting examples:

Left: FX2-Up-PLUS arm with following accessories:

- FX2-Wall-P BRKT kit-D50/75/100-L190
- FX2-Ceiling cover plate-PLUS

Middle: FX2-Up-Low arm with following accessories:

- FX2-Bracket kit-D50/75/100-L500
- FX2-Ceiling cover plate-PLUS
- FX2-Alu duct
- FX2-Duct connector-ORIG/CHEM-D100

Right: FX2-Up-Low arm with following accessories:

- FX2-Wall BRKT kit-Flat-L190-White
- FX2-Ceiling cover plate-PLUS
- FX2-Alu duct
- FX2-Duct connector-ORIG/CHEM-D100