

## Service tower

All in one workstation for your vehicle repair shop.

---



Self-standing work station for increased availability, efficiency for service staff.


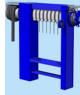


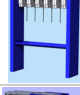

Nederman's Service Tower gives your service personell quick access to: Integrated workbench, Fluid, air and energy, Cleaning system, Vehicle exhaust extraction, Fluid monitoring system, Drainage of waste oil

---

<b>Product name</b>	Service tower
<b>Material</b>	Material: sheet metal, painted RAL5009



## Service tower

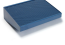
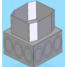
រូបភាព	Description	Weight (kg)	កូដ
	Service tower HD for 8 hose reels	550	30506650*
	Service tower HD for 12 servicereels	600	30503050*
	Service tower for 6 hose reels	280	30506750**
	Servicetower for 10 service reels	295	30504250**
	Servicetower for 12 servicereels	310	30504350**
	Servicecolumn for 10 servicereels	280	30502950***

\*Includes bracket for exhaust reel, bracket for vacuum reel, drip tray, compartment for grease barrel (200 kg), prepared for 4 C20 reels, prepared for keypad,

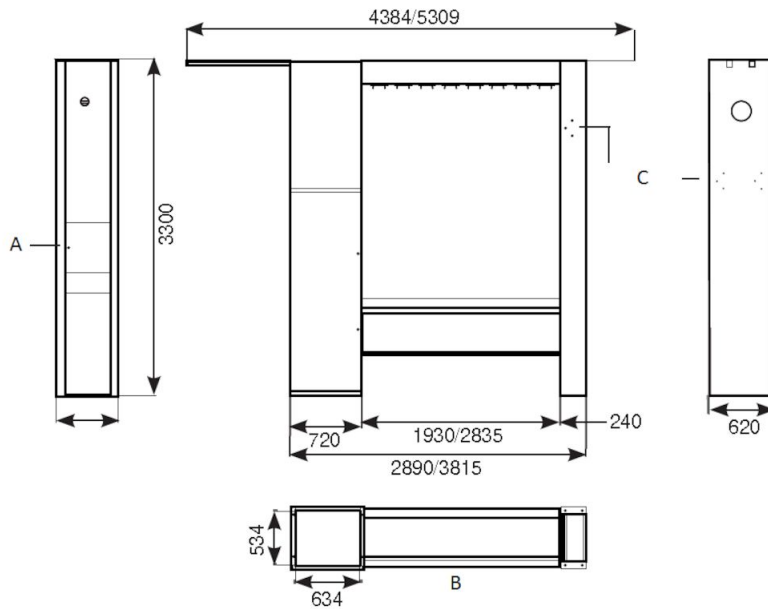
\*\*Includes drip tray

\*\*\*Includes compartment for grease barrel (200 kg)

## Service tower

อุปกรณ์เสริม		หมายเลขชิ้นส่วน
	Drip tray for service column	30504650
	Junctionbox for VRS towers	30512650

## Service tower

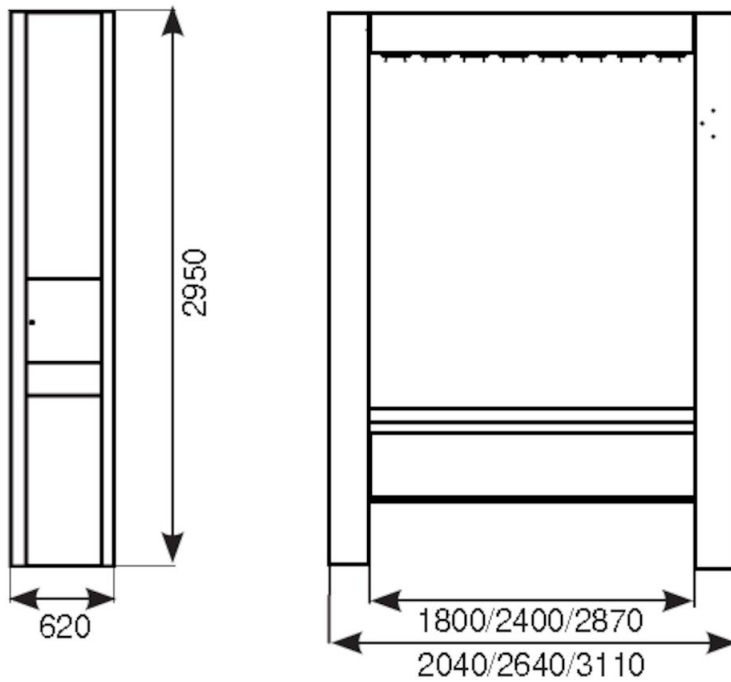


Servicetower HD

A = Place for control box keypad

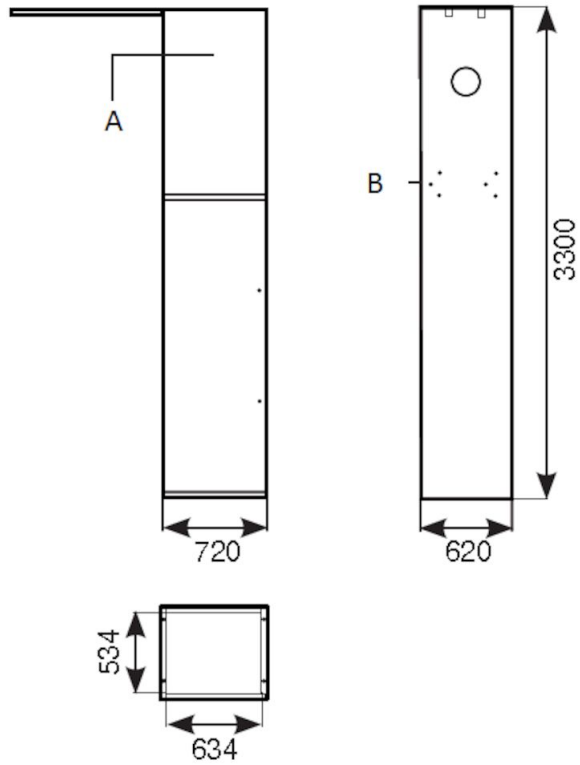
B = Inner frame. Pre-drilled holes Ø14

C = Pre-drilled hose for cable reel C20



Service tower

## Service tower



Service column

A = Knock out holes for 12 hose reels or 1 exhaust reel plus 9 hose reels

B = Pre-drilled holes for C20 cable reel