

Touchless exhaust extraction system

Stationary system for cars with all types of exhaust pipes



Easy to handle systems for all types of cars. Consists of a basic rail system which is completed with an touchless extraction unit. Very high extraction efficiency. One extraction unit can serve several work bays. Extraction units are easy to move, thanks to light-weight material and ball bearing wheels. Designed to minimize risk of damaging the car. Two units serve cars with twin exhaust pipes.

- **Touchless – no scraping**
- **Universal – for all types of exhaust pipes**
- **Versatile – for cars on the floor or lifted**
- **Ergonomic – easy to maneuver and move between workstations**
- **Practical – out of the way when not in use**

Product name	Touchless exhaust extraction system
Material	<p>Touchless extraction unit: Exhaust hood: EPDM Arm Ø100mm (4"): Aluminium Joints: Poly Amid Telescopic section: Aluminium Trolley: Glass-fibre composite 8 running wheels 4 guide wheels (all with sealed ball bearings) Resistant to all chemicals in diesel and petrol exhaust</p> <p>Rail 920: Rail profile: Aluminium, extruded, hardened, noncorrosive Sealing lips: EPDM rubber, profiled, with inner low-friction layer, delivered in coils according to track length End cover: Glass-fibre composite. Lid of galvanized sheet metal Brackets: Sheet metal, galvanized With 100 mm (4") threaded rods for alignment</p>
Material recycling (% weight)	100
Operating Temperature	Temperature resistance: Continuous 150 °C (302°F) Intermittent 180 °C (356°F)
Further technical data	Crosssection area: 230 cm ² (36 in ²)
Weight (kg)	Complete extraction unit, 37 kg (81 lbs) Rail incl sealing lips, 6.7 kg/m (5 lb/ft)



Touchless exhaust extraction system

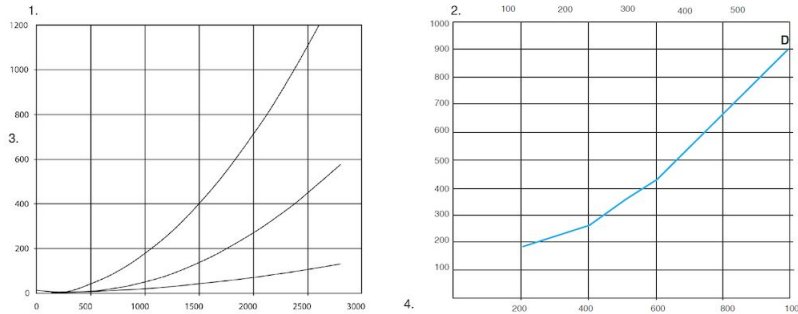
Description	[model]
Telescopic exhaust unit, including trolley	20808064
Telescopic exhaust unit without trolley	20808164

Touchless exhaust extraction system

	[accessory]	[partno]
	Exhaust rail 920 L= 5.0 m (17')	20916120*
	Exhaust rail 920 L= 2.5 m (8')	20916020*
	Exhaust rail 920 L= 7.5 m (25')	20916220*
	Exhaust rail 920 L= 10.0 m (33')	20916320*
	Exhaust rail 920 L= 12.5 m (41')	20916420*
	Exhaust rail 920 L= 15.0 m (50')	20916520*
	Exhaust rail 920 L= 17.5 m (57')	20916620*
	Exhaust rail 920 L= 20.0 m (66')	20916720*
	Exhaust rail 920 L= 22.5 m (74')	20916820*
	Exhaust rail 920 L= 25.0 m (82')	20916920*
	Exhaust rail 920 L= 27.5 m (90')	20917020*
	Exhaust rail 920 L= 30.0 m (99')	20917120*
	Exhaust rail 920 L= 32.5 m (106')	20918220*
	Exhaust rail 920 L= 35.0 m (115')	20917220*
	Exhaust rail 920 L= 40.0 m (132')	20917320*
	Exhaust rail 920 L= 45.0 m (148')	20917420*
	Exhaust rail 920 L= 50.0 m (165')	20917520*
	Top outlet Ø200 for 920	20374246

*Complete with suspension parts, joint connectors, rubber seals, end covers and end stops.

Touchless exhaust extraction system

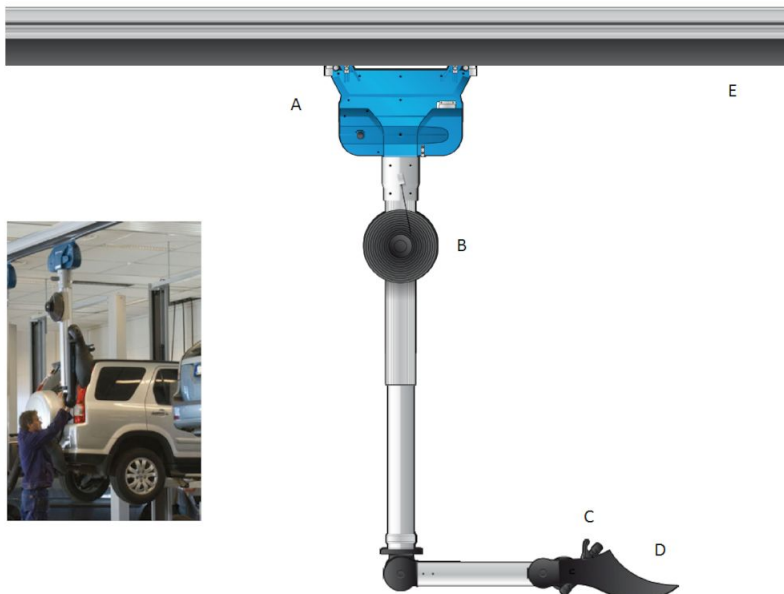


1: Rail 920 pressure drop, 2: Pressure drop Telescope including trolley, 3: Pressure drop Pa, 4: Airflow m³/h

A= Top connection, Ø200 mm, B= Side connection, Ø160 mm, C= Rail 920, per metre, D= Touchless extraction unit including trolley

Pressure drop approximately 55% less than corresponding system with hose.

Airflow recommendations Car: 600 m³/h (350 cfm)



System parts

A = Automatic damper integrated in trolley 1500, closes when unit is in parking position

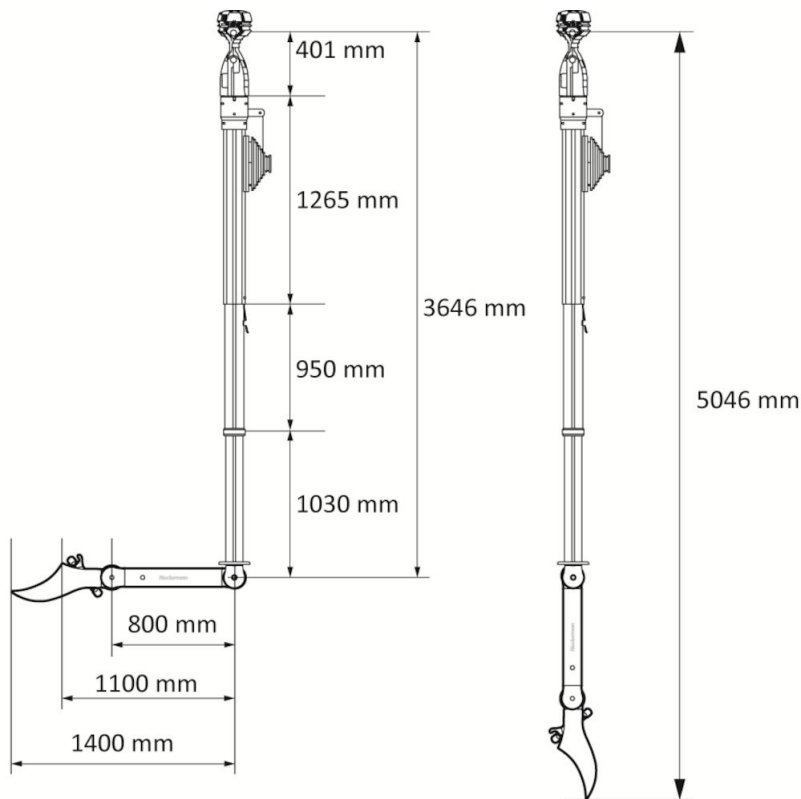
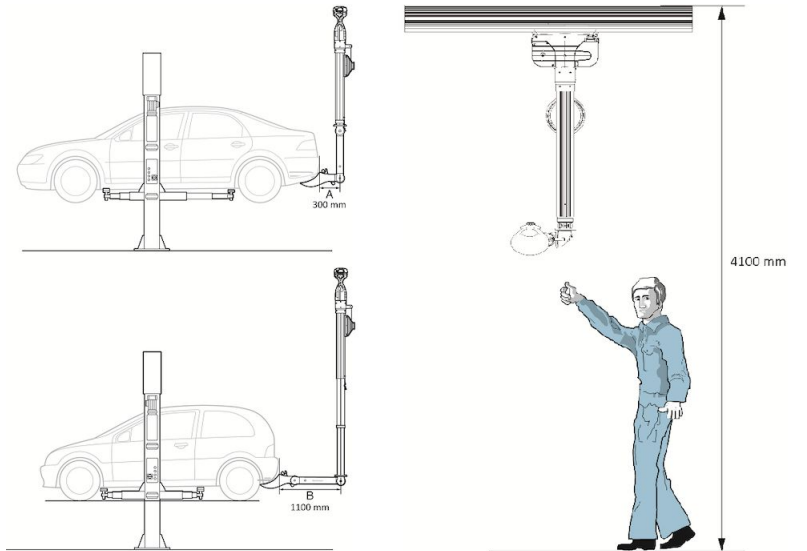
B = Balancer, Makes the Telescopic tube weightless when adjusting length of the Telescope

C = Joint release button For easy and secure positioning

D = Exhaust hood

E = Rail 920

Touchless exhaust extraction system



A = 300mm (The distance from the center of the rail to the back end of the longest car to be used)
 B = 1100mm (The distance from the center of the rail to the back end of the shortest car to be used)