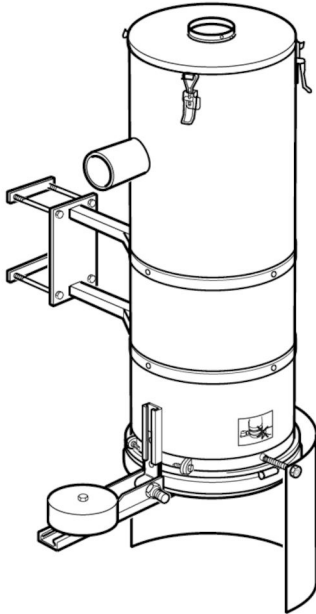


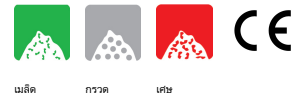
## KSA 70 Pre-separator



Pre-separation of metal chips and cutting fluids or similar materials near the work station to prevent wear on the pipe system. The KSA 70 has a cyclone inlet with an insert for the highest separation efficiency and wear protection. The outlet has a mechanical protection for over-filling, preventing material from being sucked into the pipework in large quantities. The balanced bottom lid opens downwards and is kept shut by the vacuum during normal operation. The installation normally requires a vacuum valve at the top of the separator, allowing emptying when the work station is not in use.

- Hassle free functionality
- None or very simple control equipment needed
- Easy to install
- Flexible mounting bracket
- Big bottom valve

Product name	KSA 70 Pre-separator
Installation	ในอาคาร
Application	เมิล็ด, กรวด, เศษ
Dustbin volume (l)	70
Max Airflow (m <sup>3</sup> /h)	600
Weight (kg)	50



เมิล็ด

กรวด


เศษ



## KSA 70 Pre-separator

Description	ንዳ
KSA 70 Preseparator Ø100mm inlet/outlet	40110180

# KSA 70 Pre-separator

อุปกรณ์เสริม		หมายเลขชิ้นส่วน
	Column 3000 for KSA 70	40170460
	Splashguard KSA 70 kit	40110190

# KSA 70 Pre-separator

