

FlexFilter

Modular designed dust collector




Dust collector with 2-stage filtration. Central inlet with velocity reducer. Fully automatic filter cleaning. Can easily be equipped with a great variety of filter materials, bins, emptying systems, etc. Standard equipped with circular bags of polypropylene.

| | |
|--------------------------------|--|
| Product name | FlexFilter |
| Protection class | IP65 (cleaning valve) Painting: ISO 12944, class C2M |
| Compressed air requirement | 6 - 10 bar (dry) |
| Compressed air consumption | 0,6 NI/cleaning pulse (intermitent 700 NL/min) |
| Installation | Outdoor, Indoor |
| Material | Sheet metal |
| Filter cleaning method | Reverse air pulse |
| Application | Dust, Granulate, Grit, Fumes |
| Dustbin volume (gal) | 70 (per filter) |
| Filter Area (ft ²) | 130 |
| Capacity (max airflow cfm) | Single 1600 Single RF 1800 Twin 3200 Twin RF 3600 |
| Operating Temperature | Ambient air -4 to +104 F (-20 to +40 C) (with anti freeze in compressed air) Process air max +140 F (60 C) |
| Filter type | Bag |
| Note | With reverse flow filter cleaning |




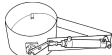
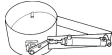




Granulate Grit Fumes Dust

FlexFilter

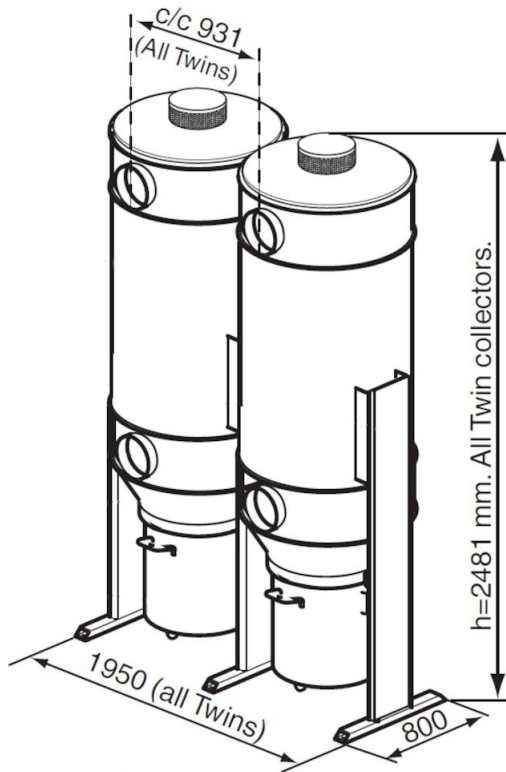
| Image | Description | Number of filter elements | Filter material | Weight (lbs) | Model |
|---|--|---------------------------|---|--------------|-----------|
| | FlexFilter single | 1 | Polypropylene (Standard) Class M according to EN 60335-2-69 | 430 | 40118600 |
| | FlexFilter single RF | 1 | PTFE Class M according to EN 60335-2-69 | 474 | 40118601* |
| | FlexFilter single with automating emptying of bin and high stand | 1 | Polypropylene (Standard) Class M according to EN 60335-2-69 | 666 | 40118604 |
|  | FlexFilter twin | 2 | Polypropylene (Standard) Class M according to EN 60335-2-69 | 809 | 40118605 |
| | FlexFilter twin RF | 2 | PTFE Class M according to EN 60335-2-69 | 827 | 40118606* |
| | FlexFilter single Cyclone | | None | 414 | 40118618 |

*With reverse flow filter cleaning

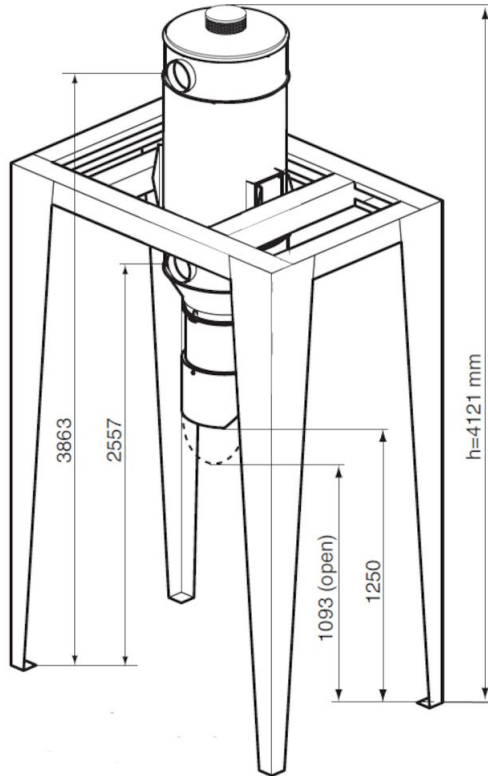
FlexFilter

| | Accessory | Part No |
|---|--------------------------------------|----------|
| | Housing module A standard | 40118020 |
| | Top module A | 40118510 |
| | Filter module cyclone insert | 40119751 |
|  | Fire alarm complete. | 40116540 |
|  | TVS200 DA | 40117640 |
|  | TVS200 NC | 40117650 |
|  | Control Filter cpl | 40376897 |
| | Control Filter cpl HEPA | 40376898 |
|  | Diff. pressure switch 3-15 kPa NC | 40375273 |
| | Connection pipe | 40117630 |
|  | Bag filter, sparepart | 40119850 |
| | HVCP 37kW Std Insight EU - IoT ready | 40124522 |
| | HVCP 45kW Std Insight EU - IoT ready | 40124521 |
| | HVCP 45kW Std - IoT upgradeable | 40124523 |
| | HVCP 55kW Std - IoT upgradeable | 40124526 |
| | HVCP 37kW Std - IoT upgradeable | 40124524 |
| | Bag filter PTFE sparepart | 40119860 |
|  | Level Indic. BLI 10-40VDC Compl. | 40780710 |

FlexFilter



FlexFilter



FlexFilter

