

## FlexFilter

Modular designed dust collector




Dust collector with 2-stage filtration. Central inlet with velocity reducer. Fully automatic filter cleaning. Can easily be equipped with a great variety of filter materials, bins, emptying systems, etc. Standard equipped with circular bags of polypropylene. PTFE or antistatic filters on request.

<b>Product name</b>	FlexFilter
<b>Protection class</b>	IP65 (cleaning valve) Painting: ISO 12944, class C2M
<b>Compressed air requirement</b>	6 - 10 bar (dry)
<b>Compressed air consumption</b>	0,6 NI/cleaning pulse (intermitent 700 NL/min)
<b>Installation</b>	นอกอาคาร, ในอาคาร
<b>Material</b>	Sheet metal
<b>Filter cleaning method</b>	เป่าอากาศแบบไหลย้อน
<b>Application</b>	ฝุ่น, เมล็ด, กรวด, ควัน
<b>Dustbin volume (l)</b>	70 (per filter)
<b>Filter Area (m2)</b>	12 (per filter)
<b>Capacity (max airflow m3/h)</b>	Single 1600 Single RF 1800 Twin 3200 Twin RF 3600
<b>Operating Temperature</b>	Ambient air -20 to +40 Deg. C.  (with anti freeze in compressed air)  Process air max +60 Deg. C.
<b>Filter type</b>	ไส้กรองใช้สำหรับกรองของเหลวที่อยู่ในระบบท่อซึ่งมีความดันสูงมาก

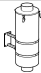

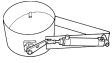
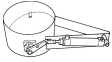




## FlexFilter

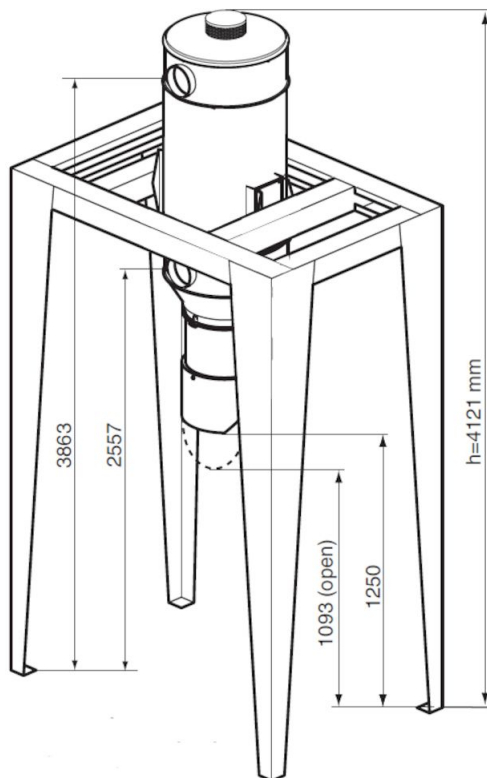
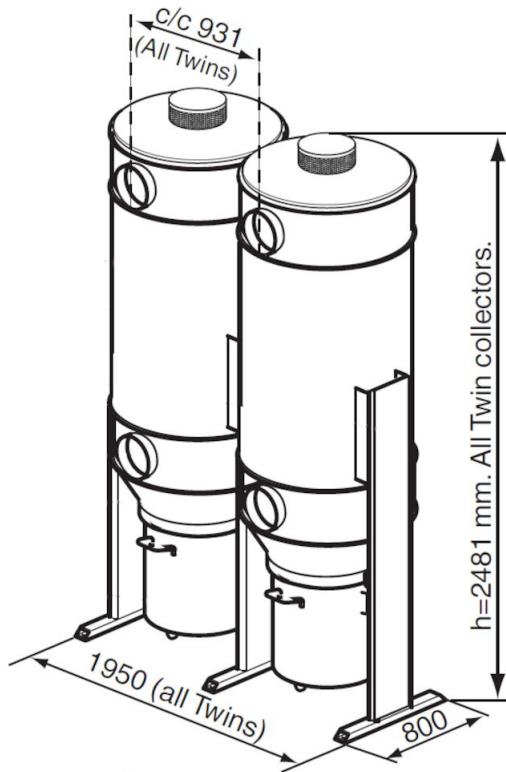
פירוט	Description	Number of filter elements	Filter material	Weight (kg)	מחיר
	FlexFilter single	1	PTFE category M according to DIN EN 60335-2-69	195	40118600
	FlexFilter single RF	1	Polypropylene (Standard)	215	40118601*
	FlexFilter single with automating emptying of bin and high stand	1	Polypropylene (Standard)	302	40118604
	FlexFilter twin	2	Polypropylene (Standard)	367	40118605
	FlexFilter twin RF	2	Polypropylene (Standard)	375	40118606*
	FlexFilter single Cyclone		Polypropylene (Standard)	188	40118618

\*With reverse flow filter cleaning

## FlexFilter

อุปกรณ์เสริม		หมายเลขชิ้นส่วน
	Housing module A standard	40118020
	Top module A	40118510
	Filter module cyclone insert	40119751
	Control filter	40114060
	Fire alarm complete. Activated when the temperature exceeds +140 Deg. C. If placed in EX zone, intrinsic safe circuit is required.	40116540
	TVS200 DA	40117640
	TVS200 NC	40117650
	Control Filter cpl	40376897
	Control Filter cpl HEPA	40376898
	Diff.pressure switch 3-15 kPa NC	40375273
	Connection pipe	40117630

## FlexFilter



## FlexFilter

