

FB Cut-In Branch

Cut-In Branches for FB ducting

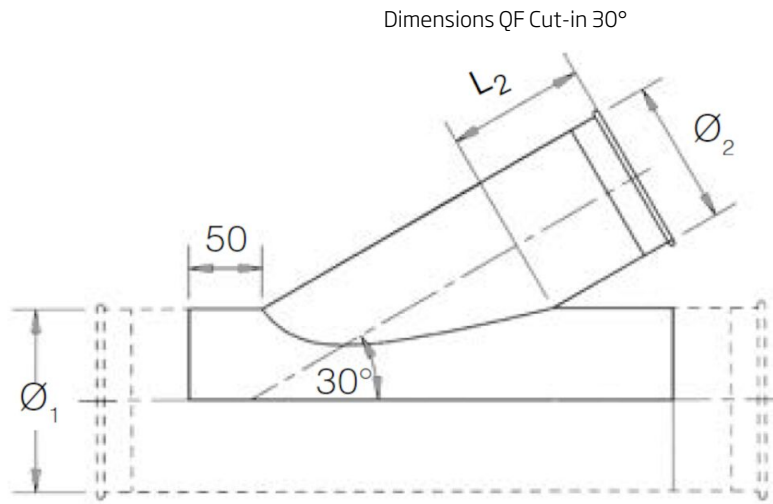


Product name	FB Cut-In Branch
Connection	FB
Thickness (mm)	0,7

FB Cut-In Branch

Diameter (1) (mm)	Diameter (2) (mm)	Model
250	100	8240005210
400	80	8240009407
450	80	8240009408
450	100	8240009409
500	100	8240009411

FB Cut-In Branch



$L_2 = (\varnothing_2 / 2) + 58$,
 \varnothing_2 must be smaller than or equal to \varnothing_1