

FB Cut-In Branch

Cut-In Branches for FB ducting



Nom du produit	FB Cut-In Branch
Marchés	Europe (non UK), UK
Material	Galv
Material Thickness	0,7mm
Fin Type A	Main
Fin Type B	FB
Degré d'angle	30

FB Cut-In Branch

Désignation Article	Legacy Item No.	Diamètre A	Diamètre B	Poids	[model]
Cut-In Galv 0,7mm 80 Main 80FB 30Deg	GSAP-080-080	80	80	0,60	8240005154
Cut-In Galv 0,7mm 100 Main 80FB 30Deg	GSAP-100-080	100	80	0,83	8240005155
Cut-In Galv 0,7mm 100 Main 100FB 30Deg	GSAP-100-100	100	100	0,83	8240005156
Cut-In Galv 0,7mm 120 Main 80FB 30Deg	GSAP-120-080	120	80	0,70	8240005157
Cut-In Galv 0,7mm 120 Main 100FB 30Deg	GSAP-120-100	120	100	0,90	8240005158
Cut-In Galv 0,7mm 120 Main 120FB 30Deg	GSAP-120-120	120	120	1,10	8240005159
Cut-In Galv 0,7mm 125 Main 80FB 30Deg	GSAP-125-080	125	80	0,70	8240005160
Cut-In Galv 0,7mm 125 Main 100FB 30Deg	GSAP-125-100	125	100	0,90	8240005161
Cut-In Galv 0,7mm 125 Main 125FB 30Deg	GSAP-125-125	125	125	1,20	8240005163
Cut-In Galv 0,7mm 140 Main 80FB 30Deg	GSAP-140-080	140	80	0,70	8240005164
Cut-In Galv 0,7mm 140 Main 100FB 30Deg	GSAP-140-100	140	100	0,90	8240005165
Cut-In Galv 0,7mm 140 Main 120FB 30Deg	GSAP-140-120	140	120	1,10	8240005166
Cut-In Galv 0,7mm 140 Main 125FB 30Deg	GSAP-140-125	140	125	1,20	8240005167
Cut-In Galv 0,7mm 140 Main 140FB 30Deg	GSAP-140-140	140	140	1,30	8240005168
Cut-In Galv 0,7mm 150 Main 80FB 30Deg	GSAP-150-080	150	80	0,70	8240005169
Cut-In Galv 0,7mm 150 Main 100FB 30Deg	GSAP-150-100	150	100	0,90	8240005170
Cut-In Galv 0,7mm 150 Main 120FB 30Deg	GSAP-150-120	150	120	1,10	8240005171
Cut-In Galv 0,7mm 150 Main 125FB 30Deg	GSAP-150-125	150	125	1,20	8240005172
Cut-In Galv 0,7mm 150 Main 150FB 30Deg	GSAP-150-150	150	150	1,50	8240005174
Cut-In Galv 0,7mm 160 Main 80FB 30Deg	GSAP-160-080	160	80	0,70	8240005175
Cut-In Galv 0,7mm 160 Main 100FB 30Deg	GSAP-160-100	160	100	0,90	8240005176
Cut-In Galv 0,7mm 160 Main 120FB 30Deg	GSAP-160-120	160	120	1,10	8240005177
Cut-In Galv 0,7mm 160 Main 125FB 30Deg	GSAP-160-125	160	125	1,20	8240005178
Cut-In Galv 0,7mm 160 Main 150FB 30Deg	GSAP-160-150	160	150	1,50	8240005180
Cut-In Galv 0,7mm 160 Main 160FB 30Deg	GSAP-160-160	160	160	1,70	8240005181
Cut-In Galv 0,7mm 180 Main 80FB 30Deg	GSAP-180-080	180	80	0,70	8240005182
Cut-In Galv 0,7mm 180 Main 100FB 30Deg	GSAP-180-100	180	100	0,90	8240005183
Cut-In Galv 0,7mm 180 Main 120FB 30Deg	GSAP-180-120	180	120	1,10	8240005184
Cut-In Galv 0,7mm 180 Main 125FB 30Deg	GSAP-180-125	180	125	1,20	8240005185
Cut-In Galv 0,7mm 180 Main 160FB 30Deg	GSAP-180-160	180	160	1,70	8240005188
Cut-In Galv 0,7mm 180 Main 180FB 30Deg	GSAP-180-180	180	180	2,00	8240005189
Cut-In Galv 0,7mm 200 Main 80FB 30Deg	GSAP-200-080	200	80	0,70	8240005190
Cut-In Galv 0,7mm 200 Main 100FB 30Deg	GSAP-200-100	200	100	0,90	8240005191
Cut-In Galv 0,7mm 200 Main 120FB 30Deg	GSAP-200-120	200	120	1,10	8240005192
Cut-In Galv 0,7mm 200 Main 125FB 30Deg	GSAP-200-125	200	125	1,20	8240005193
Cut-In Galv 0,7mm 200 Main 150FB 30Deg	GSAP-200-150	200	150	1,50	8240005195
Cut-In Galv 0,7mm 200 Main 160FB 30Deg	GSAP-200-160	200	160	1,70	8240005196
Cut-In Galv 0,7mm 200 Main 200FB 30Deg	GSAP-200-200	200	200	2,50	8240005198
Cut-In Galv 0,7mm 225 Main 80FB 30Deg	GSAP-225-080	225	80	0,70	8240005199

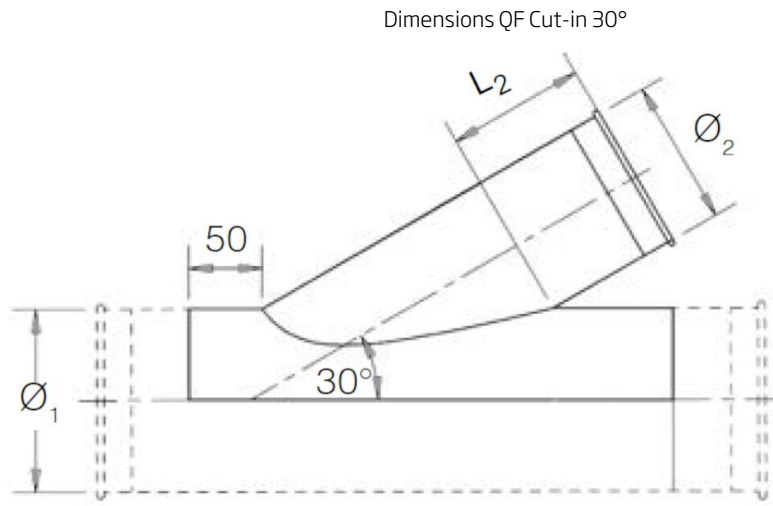
FB Cut-In Branch

Désignation Article	Legacy Item No.	Diamètre A	Diamètre B	Poids	[model]
Cut-In Galv 0,7mm 225 Main 100FB 30Deg	GSAP-225-100	225	100	0,90	8240005200
Cut-In Galv 0,7mm 225 Main 120FB 30Deg	GSAP-225-120	225	120	1,10	8240005201
Cut-In Galv 0,7mm 225 Main 125FB 30Deg	GSAP-225-125	225	125	1,20	8240005202
Cut-In Galv 0,7mm 225 Main 150FB 30Deg	GSAP-225-150	225	150	1,50	8240005204
Cut-In Galv 0,7mm 225 Main 160FB 30Deg	GSAP-225-160	225	160	1,70	8240005205
Cut-In Galv 0,7mm 225 Main 200FB 30Deg	GSAP-225-200	225	200	2,50	8240005207
Cut-In Galv 0,7mm 250 Main 80FB 30Deg	GSAP-250-080	250	80	0,70	8240005209
Cut-In Galv 0,7mm 250 Main 120FB 30Deg	GSAP-250-120	250	120	1,10	8240005211
Cut-In Galv 0,7mm 250 Main 125FB 30Deg	GSAP-250-125	250	125	1,20	8240005212
Cut-In Galv 0,7mm 250 Main 150FB 30Deg	GSAP-250-150	250	150	1,50	8240005214
Cut-In Galv 0,7mm 250 Main 160FB 30Deg	GSAP-250-160	250	160	1,70	8240005215
Cut-In Galv 0,7mm 250 Main 180FB 30Deg	GSAP-250-180	250	180	2,00	8240005216
Cut-In Galv 0,7mm 250 Main 200FB 30Deg	GSAP-250-200	250	200	2,50	8240005217
Cut-In Galv 0,7mm 300 Main 80FB 30Deg	GSAP-300-080	300	80	0,70	8240005232
Cut-In Galv 0,7mm 300 Main 100FB 30Deg	GSAP-300-100	300	100	0,90	8240005233
Cut-In Galv 0,7mm 300 Main 120FB 30Deg	GSAP-300-120	300	120	1,10	8240005234
Cut-In Galv 0,7mm 300 Main 125FB 30Deg	GSAP-300-125	300	125	1,20	8240005235
Cut-In Galv 0,7mm 300 Main 150FB 30Deg	GSAP-300-150	300	150	1,50	8240005237
Cut-In Galv 0,7mm 300 Main 160FB 30Deg	GSAP-300-160	300	160	1,70	8240005238
Cut-In Galv 0,7mm 300 Main 180FB 30Deg	GSAP-300-180	300	180	2,00	8240005239
Cut-In Galv 0,7mm 300 Main 200FB 30Deg	GSAP-300-200	300	200	2,50	8240005240
Cut-In Galv 0,7mm 315 Main 80FB 30Deg	GSAP-315-080	315	80	0,70	8240005245
Cut-In Galv 0,7mm 315 Main 100FB 30Deg	GSAP-315-100	315	100	0,90	8240005246
Cut-In Galv 0,7mm 315 Main 125FB 30Deg	GSAP-315-125	315	125	1,20	8240005248
Cut-In Galv 0,7mm 315 Main 150FB 30Deg	GSAP-315-150	315	150	1,50	8240005250
Cut-In Galv 0,7mm 315 Main 160FB 30Deg	GSAP-315-160	315	160	1,70	8240005251
Cut-In Galv 0,7mm 315 Main 180FB 30Deg	GSAP-315-180	315	180	2,00	8240005252
Cut-In Galv 0,7mm 315 Main 120FB 30Deg	GSAP-315-120	315	120	1,10	8240005247
Cut-In Galv 0,7mm 350 Main 100FB 30Deg	GSAP-350-100	350	100	0,90	8240005260
Cut-In Galv 0,7mm 315 Main 200FB 30Deg	GSAP-315-200	315	200	2,50	8240005253
Cut-In Galv 0,7mm 350 Main 80FB 30Deg	GSAP-350-080	350	80	0,70	8240005259
Cut-In Galv 0,7mm 350 Main 120FB 30Deg	GSAP-350-120	350	120	1,10	8240005261
Cut-In Galv 0,7mm 350 Main 125FB 30Deg	GSAP-350-125	350	125	1,20	8240005262
Cut-In Galv 0,7mm 350 Main 150FB 30Deg	GSAP-350-150	350	150	1,50	8240005264
Cut-In Galv 0,7mm 350 Main 160FB 30Deg	GSAP-350-160	350	160	1,70	8240005265
Cut-In Galv 0,7mm 350 Main 180FB 30Deg	GSAP-350-180	350	180	2,00	8240005266
Cut-In Galv 0,7mm 350 Main 200FB 30Deg	GSAP-350-200	350	200	2,50	8240005267
Cut-In Galv 0,7mm 400 Main 100FB 30Deg	GSAP-400-100	400	100	0,90	8240005274
Cut-In Galv 0,7mm 400 Main 160FB 30Deg	GSAP-400-160	400	160	1,70	8240005279

FB Cut-In Branch

Désignation Article	Legacy Item No.	Diamètre A	Diamètre B	Poids	[model]
Cut-In Galv 0,7mm 400 Main 120FB 30Deg	GSAP-400-120	400	120	1,10	8240005275
Cut-In Galv 0,7mm 400 Main 125FB 30Deg	GSAP-400-125	400	125	1,20	8240005276
Cut-In Galv 0,7mm 400 Main 150FB 30Deg	GSAP-400-150	400	150	1,50	8240005278
Cut-In Galv 0,7mm 400 Main 180FB 30Deg	GSAP-400-180	400	180	2,00	8240005280
Cut-In Galv 0,7mm 400 Main 200FB 30Deg	GSAP-400-200	400	200	2,50	8240005281
					GSAP-450-080
					GSAP-450-100
Cut-In Galv 0,7mm 450 Main 120FB 30Deg	GSAP-450-120	450	120	1,10	8240005289
Cut-In Galv 0,7mm 450 Main 125FB 30Deg	GSAP-450-125	450	125	1,20	8240005290
Cut-In Galv 0,7mm 450 Main 150FB 30Deg	GSAP-450-150	450	150	1,50	8240005292
Cut-In Galv 0,7mm 450 Main 160FB 30Deg	GSAP-450-160	450	160	1,70	8240005293
Cut-In Galv 0,7mm 450 Main 180FB 30Deg	GSAP-450-180	450	180	2,00	8240005294
Cut-In Galv 0,7mm 450 Main 200FB 30Deg	GSAP-450-200	450	200	2,50	8240005295
					GSAP-500-080
					GSAP-500-100
					GSAP-500-120
Cut-In Galv 0,7mm 500 Main 125FB 30Deg	GSAP-500-125	500	125	1,20	8240005304
Cut-In Galv 0,7mm 500 Main 150FB 30Deg	GSAP-500-150	500	150	1,50	8240005306
Cut-In Galv 0,7mm 500 Main 160FB 30Deg	GSAP-500-160	500	160	1,70	8240005307
Cut-In Galv 0,7mm 500 Main 180FB 30Deg	GSAP-500-180	500	180	2,00	8240005308
Cut-In Galv 0,7mm 500 Main 200FB 30Deg	GSAP-500-200	500	200	2,50	8240005309
Cut-In Galv 0,7mm 250 Main 100FB 30Deg	GSAP-250-100	250	100	0,90	8240005210
					8240009407
					8240009408

FB Cut-In Branch



$L_2 = (\varnothing_2 / 2) + 58$,
 \varnothing_2 must be smaller than or equal to \varnothing_1