

FB Cut-In Branch

Cut-In Branches for FB ducting



| | |
|-----------------------|---------------------|
| Product naam | FB Cut-In Branch |
| Geschikte industrieën | Europe (non UK), UK |
| Material | Galv |
| Material Thickness | 0,7mm |
| Eindtype A | Main |
| Eindtype B | FB |
| Hoekgraad | 30 |

FB Cut-In Branch

| Korte beschrijving | Legacy Item No. | Diameter A | Diameter B | Gewicht | Model |
|--|-----------------|------------|------------|---------|------------|
| Cut-In Galv 0,7mm 80 Main 80FB 30Deg | GSAP-080-080 | 80 | 80 | 0,60 | 8240005154 |
| Cut-In Galv 0,7mm 100 Main 80FB 30Deg | GSAP-100-080 | 100 | 80 | 0,83 | 8240005155 |
| Cut-In Galv 0,7mm 100 Main 100FB 30Deg | GSAP-100-100 | 100 | 100 | 0,83 | 8240005156 |
| Cut-In Galv 0,7mm 120 Main 80FB 30Deg | GSAP-120-080 | 120 | 80 | 0,70 | 8240005157 |
| Cut-In Galv 0,7mm 120 Main 100FB 30Deg | GSAP-120-100 | 120 | 100 | 0,90 | 8240005158 |
| Cut-In Galv 0,7mm 120 Main 120FB 30Deg | GSAP-120-120 | 120 | 120 | 1,10 | 8240005159 |
| Cut-In Galv 0,7mm 125 Main 80FB 30Deg | GSAP-125-080 | 125 | 80 | 0,70 | 8240005160 |
| Cut-In Galv 0,7mm 125 Main 100FB 30Deg | GSAP-125-100 | 125 | 100 | 0,90 | 8240005161 |
| Cut-In Galv 0,7mm 125 Main 125FB 30Deg | GSAP-125-125 | 125 | 125 | 1,20 | 8240005163 |
| Cut-In Galv 0,7mm 140 Main 80FB 30Deg | GSAP-140-080 | 140 | 80 | 0,70 | 8240005164 |
| Cut-In Galv 0,7mm 140 Main 100FB 30Deg | GSAP-140-100 | 140 | 100 | 0,90 | 8240005165 |
| Cut-In Galv 0,7mm 140 Main 120FB 30Deg | GSAP-140-120 | 140 | 120 | 1,10 | 8240005166 |
| Cut-In Galv 0,7mm 140 Main 125FB 30Deg | GSAP-140-125 | 140 | 125 | 1,20 | 8240005167 |
| Cut-In Galv 0,7mm 140 Main 140FB 30Deg | GSAP-140-140 | 140 | 140 | 1,30 | 8240005168 |
| Cut-In Galv 0,7mm 150 Main 80FB 30Deg | GSAP-150-080 | 150 | 80 | 0,70 | 8240005169 |
| Cut-In Galv 0,7mm 150 Main 100FB 30Deg | GSAP-150-100 | 150 | 100 | 0,90 | 8240005170 |
| Cut-In Galv 0,7mm 150 Main 120FB 30Deg | GSAP-150-120 | 150 | 120 | 1,10 | 8240005171 |
| Cut-In Galv 0,7mm 150 Main 125FB 30Deg | GSAP-150-125 | 150 | 125 | 1,20 | 8240005172 |
| Cut-In Galv 0,7mm 150 Main 150FB 30Deg | GSAP-150-150 | 150 | 150 | 1,50 | 8240005174 |
| Cut-In Galv 0,7mm 160 Main 80FB 30Deg | GSAP-160-080 | 160 | 80 | 0,70 | 8240005175 |
| Cut-In Galv 0,7mm 160 Main 100FB 30Deg | GSAP-160-100 | 160 | 100 | 0,90 | 8240005176 |
| Cut-In Galv 0,7mm 160 Main 120FB 30Deg | GSAP-160-120 | 160 | 120 | 1,10 | 8240005177 |
| Cut-In Galv 0,7mm 160 Main 125FB 30Deg | GSAP-160-125 | 160 | 125 | 1,20 | 8240005178 |
| Cut-In Galv 0,7mm 160 Main 150FB 30Deg | GSAP-160-150 | 160 | 150 | 1,50 | 8240005180 |
| Cut-In Galv 0,7mm 160 Main 160FB 30Deg | GSAP-160-160 | 160 | 160 | 1,70 | 8240005181 |
| Cut-In Galv 0,7mm 180 Main 80FB 30Deg | GSAP-180-080 | 180 | 80 | 0,70 | 8240005182 |
| Cut-In Galv 0,7mm 180 Main 100FB 30Deg | GSAP-180-100 | 180 | 100 | 0,90 | 8240005183 |
| Cut-In Galv 0,7mm 180 Main 120FB 30Deg | GSAP-180-120 | 180 | 120 | 1,10 | 8240005184 |
| Cut-In Galv 0,7mm 180 Main 125FB 30Deg | GSAP-180-125 | 180 | 125 | 1,20 | 8240005185 |
| Cut-In Galv 0,7mm 180 Main 160FB 30Deg | GSAP-180-160 | 180 | 160 | 1,70 | 8240005188 |
| Cut-In Galv 0,7mm 180 Main 180FB 30Deg | GSAP-180-180 | 180 | 180 | 2,00 | 8240005189 |
| Cut-In Galv 0,7mm 200 Main 80FB 30Deg | GSAP-200-080 | 200 | 80 | 0,70 | 8240005190 |
| Cut-In Galv 0,7mm 200 Main 100FB 30Deg | GSAP-200-100 | 200 | 100 | 0,90 | 8240005191 |
| Cut-In Galv 0,7mm 200 Main 120FB 30Deg | GSAP-200-120 | 200 | 120 | 1,10 | 8240005192 |
| Cut-In Galv 0,7mm 200 Main 125FB 30Deg | GSAP-200-125 | 200 | 125 | 1,20 | 8240005193 |
| Cut-In Galv 0,7mm 200 Main 150FB 30Deg | GSAP-200-150 | 200 | 150 | 1,50 | 8240005195 |
| Cut-In Galv 0,7mm 200 Main 160FB 30Deg | GSAP-200-160 | 200 | 160 | 1,70 | 8240005196 |
| Cut-In Galv 0,7mm 200 Main 200FB 30Deg | GSAP-200-200 | 200 | 200 | 2,50 | 8240005198 |
| Cut-In Galv 0,7mm 225 Main 80FB 30Deg | GSAP-225-080 | 225 | 80 | 0,70 | 8240005199 |

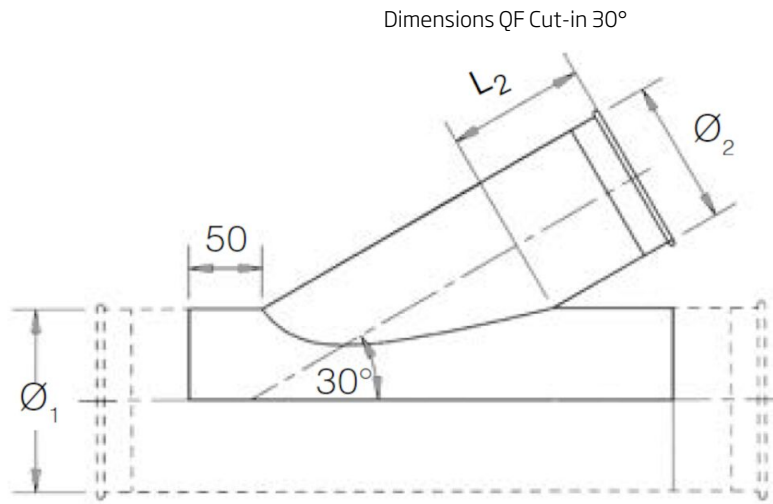
FB Cut-In Branch

| Korte beschrijving | Legacy Item No. | Diameter A | Diameter B | Gewicht | Model |
|--|-----------------|------------|------------|---------|------------|
| Cut-In Galv 0,7mm 225 Main 100FB 30Deg | GSAP-225-100 | 225 | 100 | 0,90 | 8240005200 |
| Cut-In Galv 0,7mm 225 Main 120FB 30Deg | GSAP-225-120 | 225 | 120 | 1,10 | 8240005201 |
| Cut-In Galv 0,7mm 225 Main 125FB 30Deg | GSAP-225-125 | 225 | 125 | 1,20 | 8240005202 |
| Cut-In Galv 0,7mm 225 Main 150FB 30Deg | GSAP-225-150 | 225 | 150 | 1,50 | 8240005204 |
| Cut-In Galv 0,7mm 225 Main 160FB 30Deg | GSAP-225-160 | 225 | 160 | 1,70 | 8240005205 |
| Cut-In Galv 0,7mm 225 Main 200FB 30Deg | GSAP-225-200 | 225 | 200 | 2,50 | 8240005207 |
| Cut-In Galv 0,7mm 250 Main 80FB 30Deg | GSAP-250-080 | 250 | 80 | 0,70 | 8240005209 |
| Cut-In Galv 0,7mm 250 Main 120FB 30Deg | GSAP-250-120 | 250 | 120 | 1,10 | 8240005211 |
| Cut-In Galv 0,7mm 250 Main 125FB 30Deg | GSAP-250-125 | 250 | 125 | 1,20 | 8240005212 |
| Cut-In Galv 0,7mm 250 Main 150FB 30Deg | GSAP-250-150 | 250 | 150 | 1,50 | 8240005214 |
| Cut-In Galv 0,7mm 250 Main 160FB 30Deg | GSAP-250-160 | 250 | 160 | 1,70 | 8240005215 |
| Cut-In Galv 0,7mm 250 Main 180FB 30Deg | GSAP-250-180 | 250 | 180 | 2,00 | 8240005216 |
| Cut-In Galv 0,7mm 250 Main 200FB 30Deg | GSAP-250-200 | 250 | 200 | 2,50 | 8240005217 |
| Cut-In Galv 0,7mm 300 Main 80FB 30Deg | GSAP-300-080 | 300 | 80 | 0,70 | 8240005232 |
| Cut-In Galv 0,7mm 300 Main 100FB 30Deg | GSAP-300-100 | 300 | 100 | 0,90 | 8240005233 |
| Cut-In Galv 0,7mm 300 Main 120FB 30Deg | GSAP-300-120 | 300 | 120 | 1,10 | 8240005234 |
| Cut-In Galv 0,7mm 300 Main 125FB 30Deg | GSAP-300-125 | 300 | 125 | 1,20 | 8240005235 |
| Cut-In Galv 0,7mm 300 Main 150FB 30Deg | GSAP-300-150 | 300 | 150 | 1,50 | 8240005237 |
| Cut-In Galv 0,7mm 300 Main 160FB 30Deg | GSAP-300-160 | 300 | 160 | 1,70 | 8240005238 |
| Cut-In Galv 0,7mm 300 Main 180FB 30Deg | GSAP-300-180 | 300 | 180 | 2,00 | 8240005239 |
| Cut-In Galv 0,7mm 300 Main 200FB 30Deg | GSAP-300-200 | 300 | 200 | 2,50 | 8240005240 |
| Cut-In Galv 0,7mm 315 Main 80FB 30Deg | GSAP-315-080 | 315 | 80 | 0,70 | 8240005245 |
| Cut-In Galv 0,7mm 315 Main 100FB 30Deg | GSAP-315-100 | 315 | 100 | 0,90 | 8240005246 |
| Cut-In Galv 0,7mm 315 Main 125FB 30Deg | GSAP-315-125 | 315 | 125 | 1,20 | 8240005248 |
| Cut-In Galv 0,7mm 315 Main 150FB 30Deg | GSAP-315-150 | 315 | 150 | 1,50 | 8240005250 |
| Cut-In Galv 0,7mm 315 Main 160FB 30Deg | GSAP-315-160 | 315 | 160 | 1,70 | 8240005251 |
| Cut-In Galv 0,7mm 315 Main 180FB 30Deg | GSAP-315-180 | 315 | 180 | 2,00 | 8240005252 |
| Cut-In Galv 0,7mm 315 Main 120FB 30Deg | GSAP-315-120 | 315 | 120 | 1,10 | 8240005247 |
| Cut-In Galv 0,7mm 350 Main 100FB 30Deg | GSAP-350-100 | 350 | 100 | 0,90 | 8240005260 |
| Cut-In Galv 0,7mm 315 Main 200FB 30Deg | GSAP-315-200 | 315 | 200 | 2,50 | 8240005253 |
| Cut-In Galv 0,7mm 350 Main 80FB 30Deg | GSAP-350-080 | 350 | 80 | 0,70 | 8240005259 |
| Cut-In Galv 0,7mm 350 Main 120FB 30Deg | GSAP-350-120 | 350 | 120 | 1,10 | 8240005261 |
| Cut-In Galv 0,7mm 350 Main 125FB 30Deg | GSAP-350-125 | 350 | 125 | 1,20 | 8240005262 |
| Cut-In Galv 0,7mm 350 Main 150FB 30Deg | GSAP-350-150 | 350 | 150 | 1,50 | 8240005264 |
| Cut-In Galv 0,7mm 350 Main 160FB 30Deg | GSAP-350-160 | 350 | 160 | 1,70 | 8240005265 |
| Cut-In Galv 0,7mm 350 Main 180FB 30Deg | GSAP-350-180 | 350 | 180 | 2,00 | 8240005266 |
| Cut-In Galv 0,7mm 350 Main 200FB 30Deg | GSAP-350-200 | 350 | 200 | 2,50 | 8240005267 |
| Cut-In Galv 0,7mm 400 Main 100FB 30Deg | GSAP-400-100 | 400 | 100 | 0,90 | 8240005274 |
| Cut-In Galv 0,7mm 400 Main 160FB 30Deg | GSAP-400-160 | 400 | 160 | 1,70 | 8240005279 |

FB Cut-In Branch

| Korte beschrijving | Legacy Item No. | Diameter A | Diameter B | Gewicht | Model |
|---|-----------------|------------|------------|---------|--------------|
| Cut-In Galv 0,7mm 400 Main 120FB 30Deg | GSAP-400-120 | 400 | 120 | 1,10 | 8240005275 |
| Cut-In Galv 0,7mm 400 Main 125FB 30Deg | GSAP-400-125 | 400 | 125 | 1,20 | 8240005276 |
| Cut-In Galv 0,7mm 400 Main 150FB 30Deg | GSAP-400-150 | 400 | 150 | 1,50 | 8240005278 |
| Cut-In Galv 0,7mm 400 Main 180FB 30Deg | GSAP-400-180 | 400 | 180 | 2,00 | 8240005280 |
| Cut-In Galv 0,7mm 400 Main 200FB 30Deg | GSAP-400-200 | 400 | 200 | 2,50 | 8240005281 |
| | | | | | GSAP-450-080 |
| | | | | | GSAP-450-100 |
| Cut-In Galv 0,7mm 450 Main 120FB 30Deg | GSAP-450-120 | 450 | 120 | 1,10 | 8240005289 |
| Cut-In Galv 0,7mm 450 Main 125FB 30Deg | GSAP-450-125 | 450 | 125 | 1,20 | 8240005290 |
| Cut-In Galv 0,7mm 450 Main 150FB 30Deg | GSAP-450-150 | 450 | 150 | 1,50 | 8240005292 |
| Cut-In Galv 0,7mm 450 Main 160FB 30Deg | GSAP-450-160 | 450 | 160 | 1,70 | 8240005293 |
| Cut-In Galv 0,7mm 450 Main 180FB 30Deg | GSAP-450-180 | 450 | 180 | 2,00 | 8240005294 |
| Cut-In Galv 0,7mm 450 Main 200FB 30Deg | GSAP-450-200 | 450 | 200 | 2,50 | 8240005295 |
| | | | | | GSAP-500-080 |
| | | | | | GSAP-500-100 |
| | | | | | GSAP-500-120 |
| Cut-In Galv 0,7mm 500 Main 125FB 30Deg | GSAP-500-125 | 500 | 125 | 1,20 | 8240005304 |
| Cut-In Galv 0,7mm 500 Main 150FB 30Deg | GSAP-500-150 | 500 | 150 | 1,50 | 8240005306 |
| Cut-In Galv 0,7mm 500 Main 160FB 30Deg | GSAP-500-160 | 500 | 160 | 1,70 | 8240005307 |
| Cut-In Galv 0,7mm 500 Main 180FB 30Deg | GSAP-500-180 | 500 | 180 | 2,00 | 8240005308 |
| Cut-In Galv 0,7mm 500 Main 200FB 30Deg | GSAP-500-200 | 500 | 200 | 2,50 | 8240005309 |
| Cut-In Galv 0,7mm 250 Main 100FB 30Deg | GSAP-250-100 | 250 | 100 | 0,90 | 8240005210 |
| | | | | | 8240009407 |
| | | | | | 8240009408 |

FB Cut-In Branch



$L_2 = (\varnothing_2 / 2) + 58$,
 \varnothing_2 must be smaller than or equal to \varnothing_1