

Safety Filter

The safety filter is designed as an absolute filter used for air filtration in ventilation duct systems.



The safety filter is typically used in high vacuum application and is positioned between the filter and the fan to protect the fan against larger particles.

The housing is made of a welded steel structure painted in blue paint RAL 5009.

The safety filter is equipped with H13 class filter cartridges according to EN 1822 which are mounted in frames and tightly closed by bolted doors. The flanges are standardized FL flanges.

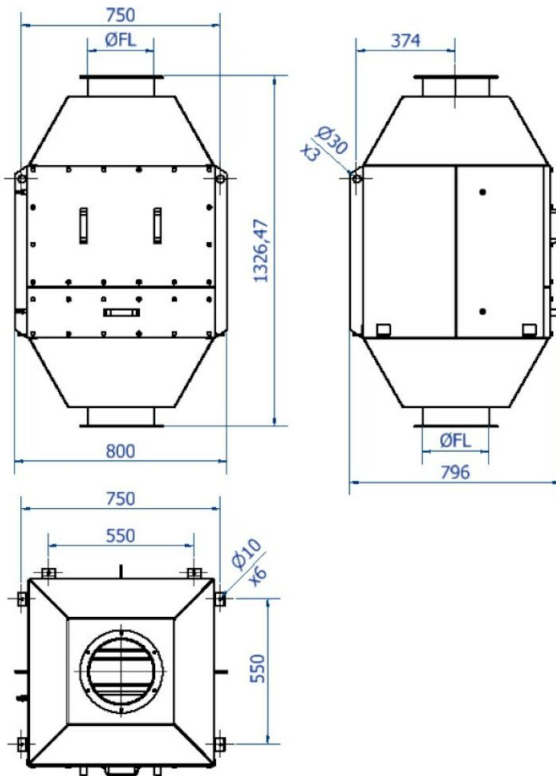
- Can be mounted both horizontally and vertically

Nazwa produktu	Safety Filter
Instalacja	na zewnątrz, wewnątrz
Materiał	Painted steel RAL 5009
Powierzchnia filtracyjna (m ²)	22-44
Pojemność (maks. przepływ powietrza m ³ /h)	2700-5400
Operating Temperature	Max. 80°C
Połączenie	FL
Wyjaśnienie do danych technicznych	

Safety Filter

średnica (mm)	Pressure drop (Pa)	Model
180	Initial pressure drop = 275; Final pressure drop = 650	7943077
200	Initial pressure drop = 275; Final pressure drop = 650	7943078
250	Initial pressure drop = 275; Final pressure drop = 650	5512640
250	Initial pressure drop = 275; Final pressure drop = 650	5512688
315	Initial pressure drop = 275; Final pressure drop = 650	7943079
355	Initial pressure drop = 275; Final pressure drop = 650	7943080

Safety Filter



Safety Filter

