

S-Series Dust Collector

Simple, silent and safe enclosureless dust collector for wood dust applications



The S-Series is an enclosureless, silent and simple to set up dust collector suitable for wood and sawdust applications (furniture, cabinetry, windows, doors, flooring, particle board, MDF, building materials, marine, and sawmills) and for general dust collection where feasible.

It is designed for indoor installation compliant with NFPA combustible dust regulations. They are available in three sizes: the S-500, S-750 and S-1000 ranging from 1,500 - 5,000 CFM, providing a cost-effective filtration solution for small and medium-sized workshops.

- High performance Superbags reduces bag replacement needs down to 3-5 years
- Energy efficient fans utilize an impeller design that is 20% more efficient than common radial blade fans
- Silent operation with high performance fans run only 10-15 dB(A) over normal conversation sound level
- Provide safety and reliability for your workplace and manufactured in compliance with the latest NFPA standards
- Unique collapsible design with pre-installed fan and SuperBags minimize installation time and effort with 3 step easy and quick installation.

Product name	S-Series Dust Collector
Noise level (dB(A))	70-75
Installation	Indoor
Material	Galvanized Steel
Application	Dust
Dustbin volume (gal)	42 for Bags (standard) 45 for Barrels (optional) 230 for Dump Bin (optional)
Filter Area (ft ²)	10.125 / bag
Capacity (max airflow cfm)	5000
Filter type	Bag
Control Voltage (V)	n/a



Dust

S-Series Dust Collector

Description	Power Voltage (V)	Frequency (Hz)	No of phases	Number of filter elements	Filter material	Amperage (A)	Weight (lbs)	Power (Hp)	Model
S-500 Single Phase 208 Volt	208	60	1	16	Superbag		600	5.0 (3.75 Kw)	89101005*
S-500 Three Phase 208-230/460 Volt	208-230/460		3	16	Superbag		600		89101006*
S Filter S - 750	230	60	1	16	Beane Material filter bags		900	7.5	89101007**
S-750 Three Phase 208-230/460 Volt	208-230/460	60	3	24	Superbag		750	7.4 (5.5 Kw)	89101008***
S-1000 Three Phase 208-230/460 Volt	208-230/460	60	3	24	Superbag		100	10.0 (7.5 Kw)	89101009****
S-500 After Filter. Shipped without fan.	N/A	N/A				n/a		n/a	89101018
S-750 Three Phase 575 Volt	575	60	3	24	Superbag	7.5	750	7.4 (5.5 Kw)	89101019***
S-1000 Three Phase 575 Volt	575	60	3	24	Superbag		100	10.0 (7.5 Kw)	89101020****
									89101024
									89101028
									89101064
									89101027
									89101026

*3000 CFM at 5.0" Wg
 **243 Sq Ft of filter media
 Easy installation
 Quiet operation
 Three waste discharge points
 ***4500 CFM at 5.0" Wg
 ****5000 CFM at 7.0" Wg

S-Series Dust Collector

Accessory	Part No
230 Gallon Dump Bin	89101011
S-500 Inlet Adapters - Inlet Adapter QF 10 inch	89101013
S-500 Inlet Adapters - Inlet Adapter QF 12 inch	89101015
S-750 Inlet Adapters - Inlet Adapter QF 10 inch	89101014
S-750 Inlet Adapters - Inlet Adapter QF 12 inch	89101016
S-750 Inlet Adapters - Inlet Adapter QF 14 inch	89101017
S-500 Fan Flange to 12" RAWOD	89101034
Silent - Barrel Option	89201004
QF Clamp With Seal 500mm	89201003
S-750 Fan Flange to 14" RAWOD	89101043
10HP 3Ph/208-230V NEMA 12 r/s PBS	89115521
S-1000 Fan Flange to 14"QF	89101057
S-1000 Fan Flange to 16" RAWOD	89101048
Plastic Bag Ø 500 L=1300mm(1 Roll)	89201024
Inlet Adapter QF 9 inch	89101035
Inlet Adapter QF 11 inch	89101036
Inlet Adapter Raw 9 inch	89101031
Inlet Adapter Raw 8 inch	89101030
Inlet Adapter Raw 10 inch	89101032
Inlet Adapter Raw 11 inch	89101033
220X1375 mm Beam Bag/Bag Only	89251020
Inlet Adapter QF 8 inch	89101044

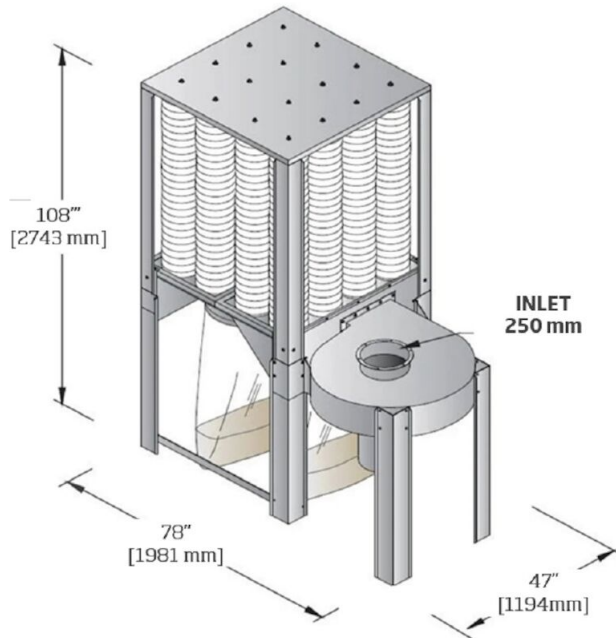
S-Series Dust Collector

	Accessory	Part No
	Inlet Adapter QF 9 inch	89101045
	Inlet Adapter QF 11 inch	89101046
	Inlet Adapter QF 13 inch	89101047
	Inlet Adapter Raw 8 inch	89101037
	Inlet Adapter Raw 9 inch	89101038
	Inlet Adapter Raw 10 inch	89101039
	Inlet Adapter Raw 11 inch	89101040
	Inlet Adapter Raw 12 inch	89101041
	Inlet Adapter Raw 13 inch	89101042
	Inlet Adapter QF 10 inch	89101061
	Inlet Adapter QF 11 inch	89101060
	Inlet Adapter QF 12 inch	89101059
	Inlet Adapter QF 13 inch	89101058
	Inlet Adapter QF 15 inch	89101056
	Inlet Adapter QF 16 inch	89101055
	Inlet Adapter Raw 10 inch	89101054
	Inlet Adapter Raw 11 inch	89101053
	Inlet Adapter Raw 12 inch	89101052
	Inlet Adapter Raw 13 inch	89101051
	Inlet Adapter Raw 14 inch	89101050
	Inlet Adapter Raw 15 inch	89101049
	Filter Bag (24 req. - Price is each)	89251021

S-Series Dust Collector

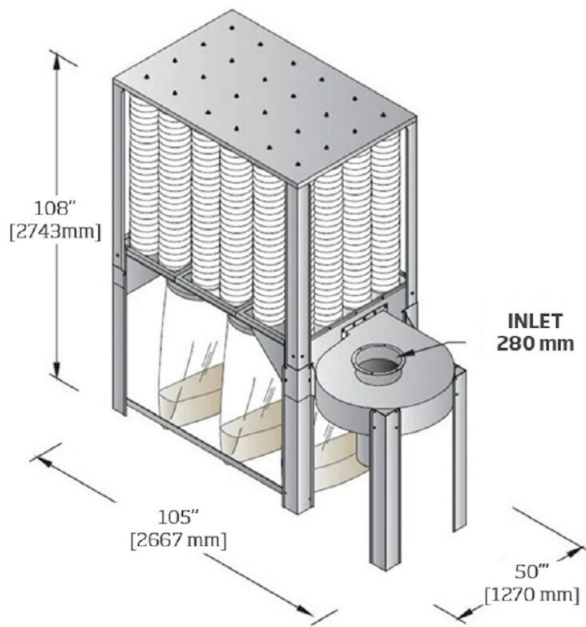
Accessory		Part No
	Shut Off Valve	89101082
	Regulator Filter Combo	89101083
	S-500 Manual shaker kit	89101071
	S-500 Mechanical shaker kit	89101072
	S-500 Auto 208-230/460V shaker kit	89101073
	S-500 Auto 575V	89101074
	S-750/1000 Manual shaker kit	89101075
	S-750/1000 Mechanical shaker kit	89101076
	S-750/1000 Auto 208-230/460V shaker kit	89101077
	S-750/1000 Auto 575V shaker kit	89101078
	Manual to Mechanical Shaker Upgrade Kit	89101079
	Manual to Auto 208-230/460V Shaker Upgrade Kit	89101080
	Manual to Auto 575V Shaker Upgrade Kit	89101081

S-Series Dust Collector



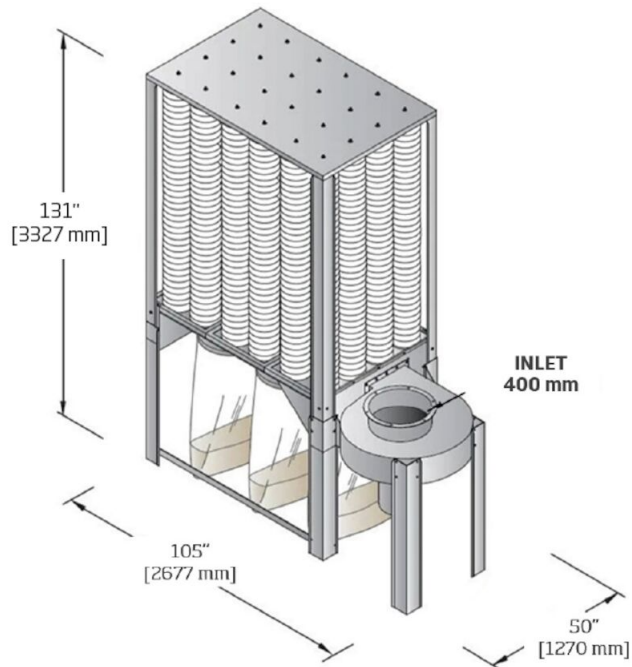
S-500

S-Series Dust Collector



S-750

S-Series Dust Collector



S-1000