

## NOM 28

### Oil mist filter



Designed for lathing and milling applications, for machines stamping and pressing steel plates, industrial washing machines, abrasive water jets etc. In all metal fabrication with oil mist troubles, these filters will fit into a ducting system, connected to each machine. All units are equipped with pressure gauge for control of filters as well as an indication for need of cleaning (self draining). Suitable for emulsion mist.

- Low maintenance cost
- Self draining mist filter
- Easy to install
- High filtration efficiency
- Made to take up very little space with integrated fan for most models

|  |  |
|--|--|
| Product name                             | NOM 28   |
| Noise level (dB(A))                      | 68,2   |
| Protection class                         | IP 55  |
| Filter efficiency (%)                    | 97,5   |
| Compressed air requirement               | No   |
| Compressed air consumption               | No   |
| Installation                             | [Indoor]   |
| Material                                 | Housing made in oil resistant wet painted sheet metal. |
| Suitable for combustible dust            | False  |
| Material recycling (% weight)            | 88   |
| Filter Area (m <sup>2</sup> )            | 21   |
| Capacity (max airflow m <sup>3</sup> /h) | 2800   |
| Operating Temperature                    | 5 - 60 C   |
| Power Voltage (V)                        | 400/230  |
| Frequency (Hz)                           | 50   |
| No of phases                             | 3  |
| Filter type                              | [cartridge]  |
| Number of filter elements                | 3  |
| Filter material                          | Glassfibre   |
| Amperage (A)                             | 4,56/7,9   |
| Power (kW)                               | 2,2  |



## NOM 28



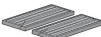
| Description          | Weight (kg) | [model]     |
|----------------------|-------------|-------------|
| NOM 28 (Without fan) | 189         | 12642368*   |
| NOM 28 (Without fan) | 199         | 12642468**  |
| NOM 28               | 230         | 12641768    |
| NOM 28               | 240         | 12641868*** |

\*Delivered without Fan

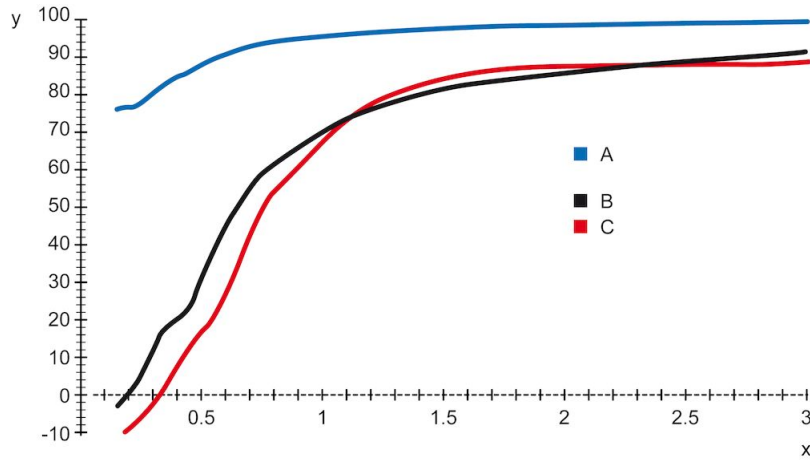
\*\*Delivered without Fan. Includes HEPA filter with 40 sqm filterarea and with 99,97 % efficiency.

\*\*\*Includes HEPA filter with 40 sqm filterarea and with 99,97 % efficiency.

## NOM 28

|   | [accessory]   | [partno] |
|---|---|----------|
|    | FMS 6,3 - 10  | 14502537 |
|    | Silencer NOM 18, 28   | 12373650 |
|   | Filter cover for NOM filter   | 12376746 |
|    | Container NOM 11, 18, 28  | 12373651 |
|    | Hose with oil trap NOM  | 12373652 |
|    | Mainfilter NOM 28, 112 (replacement, 4 sets of three cartridges needed for NOM 112) | 12373680 |
|    | HEPA 40m2 NOM 28, 112 (replacement, 4 pcs needed for NOM 112)                       | 12373648 |
|  | Coarse pre-filter   | 12376294 |

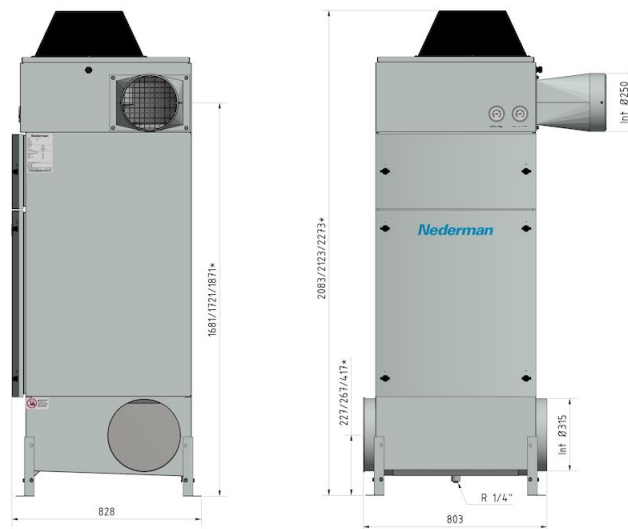
## NOM 28



Y = Efficiency (%), X = Particle size (µm)

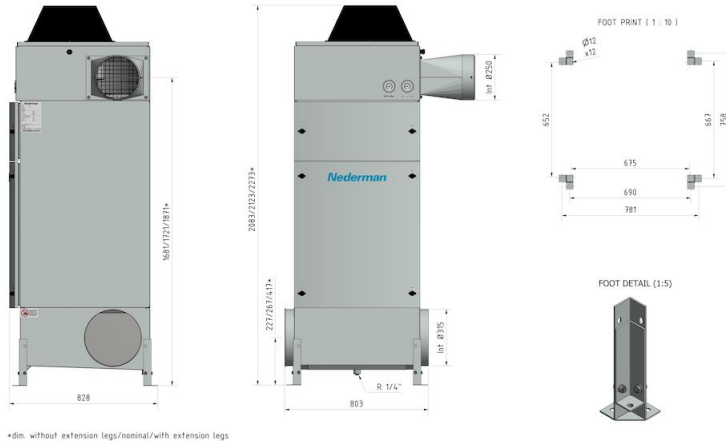
A = NOM filter, B = Centrifugal filter A, C = Centrifugal filter B

Efficiency of NOM main filter compared to typical centrifugal filters, tested with DOP.



\*dim. without extension legs/nominal/with extension legs

## NOM 28



\*dim. without extension legs/nominal/with extension legs