

NOM 28

Oil mist filter



Designed for lathing and milling applications, for machines stamping and pressing steel plates, industrial washing machines, abrasive water jets etc. In all metal fabrication with oil mist troubles, these filters will fit into a ducting system, connected to each machine. All units are equipped with pressure gauge for control of filters as well as an indication for need of cleaning (self draining). Suitable for emulsion mist.

- Low maintenance cost
- Self draining mist filter
- Easy to install
- High filtration efficiency
- Made to take up very little space with integrated fan for most models

Product name	NOM 28
Noise level (dB(A))	68,2
Protection class	IP 55
Filter efficiency (%)	97,5
Compressed air requirement	No
Compressed air consumption	No
Installation	Indoor
Material	Housing made in oil resistant wet painted sheet metal.
Suitable for combustible dust	False
Material recycling (% weight)	88
Filter Area (m ²)	21
Capacity (max airflow m ³ /h)	2800
Operating Temperature	5 - 60 C
No of phases	3
Filter type	Cartridge
Number of filter elements	3
Filter material	Glassfibre
Amperage (A)	4,56/7,9
Power (kW)	2,2



NOM 28







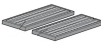
Description	Power Voltage (V)	Frequency (Hz)	Weight (kg)	Model
NOM 28 (Without fan)			189	12642368*
NOM 28 (Without fan)			199	12642468**
NOM 28	380	60	230	12644068
NOM 28	400/230	50	230	12641768
NOM 28	400/230	50	240	12641868***

*Delivered without Fan

**Delivered without Fan. Includes HEPA filter with 40 sqm filterarea and with 99,97 % efficiency.

***Includes HEPA filter with 40 sqm filterarea and with 99,97 % efficiency.

NOM 28

Accessory		Part No
	FMS 6.3-10 Fan Manual Starter incl. Motorprotector 6.3-10A	14502537
	Silencer NOM 18, 28	12373650
	Filter cover for NOM filter	12376746
	Container NOM 11, 18, 28	12373651
	Hose with oil trap NOM	12373652
	Mainfilter NOM 28, 112 (replacement, 4 sets of three cartridges needed for NOM 112)	12373680
	HEPA 40m2 NOM 28, 112 (replacement, 4 pcs needed for NOM 112)	12373648
	Coarse pre-filter	12376294

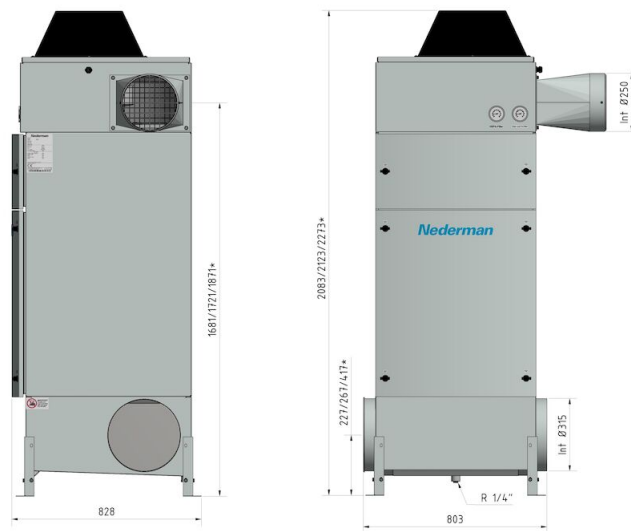
NOM 28



Y = Efficiency (%), X = Particle size (µm)

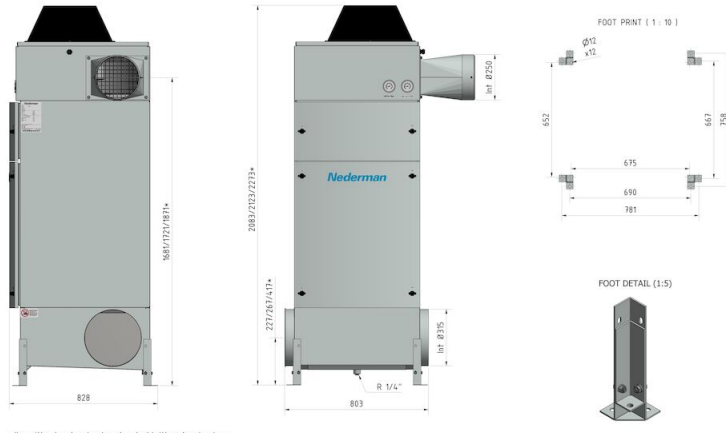
A = NOM filter, B = Centrifugal filter A, C = Centrifugal filter B

Efficiency of NOM main filter compared to typical centrifugal filters, tested with DOP.



*dim. without extension legs/nominal/with extension legs

NOM 28



*dim. without extension legs/nominal/with extension legs