

## Fan N29



A centrifugal fan mainly designed for use with Nederman extraction products.

- Compact
- Easy to use

|                               |   |
|-------------------------------|---|
| Product name                  | Fan N29   |
| Installation                  | [Indoor], [Outdoor]                                       |
| Material                      | casings: Sheet metal steel<br>Impeller: Sheet metal steel |
| Suitable for combustible dust | False   |
| Airflow (CFM)                 | 1650 CFM  |
| Capacity (max airflow cfm)    | 1650  |
| Ambient temperature range     | -20 to +40 C (-4 F to 104 F)                              |
| Operating Temperature         | Max 140 F (60 C)  |
| Frequency (Hz)                | 60  |
| No of phases                  | 3   |
| Weight (lbs)                  | 71  |
| Note                          | With fan bracket  |



## Fan N29

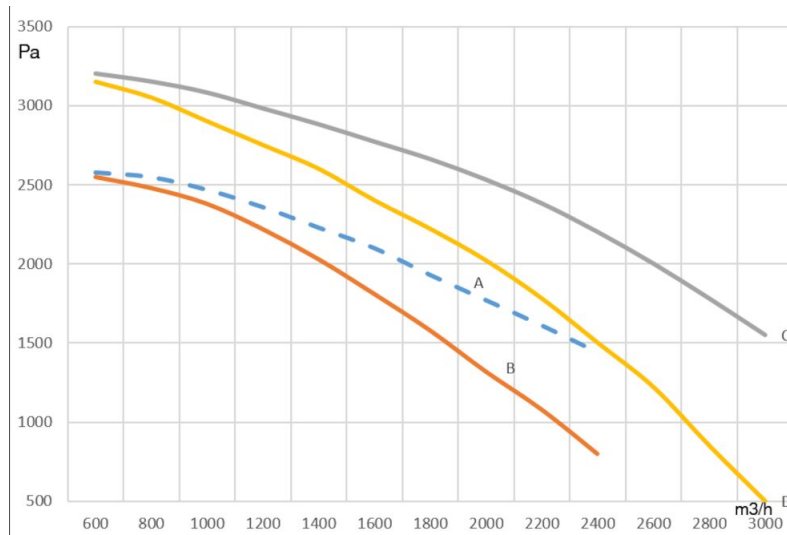
| Power Voltage (V) | Amperage (A) | Power (Hp)   | [model]   |
|-------------------|--------------|--------------|-----------|
| 220/460           | 7,3/4,6      | 2,2          | 14510229* |
| 575               | 3,2          | 3,0 (2,2 Kw) | 14522129* |

\*With fan bracket

## Fan N29

|   | [accessory]   | [partno] |
|---|---|----------|
|    | Coupling tube Ø75mm   | 14503626 |
|    | Adaptor Ø125/Ø100 mm  | 14341077 |
|    | Adaptor Ø125/Ø75 mm   | 14341080 |
|    | Coupling tube Ø100mm  | 14504626 |
|    | Coupling tube Ø125mm  | 14505626 |
|    | Coupling tube Ø150mm  | 14506626 |
|    | Inlet adaptor for hose Ø160 mm  | 14510326 |
|   | Adaptor Ø160/ext. Ø75 mm  | 14510426 |
|  | Adaptor Ø160/ext. Ø100 mm   | 14510526 |
|  | Adaptor Ø160 ext./Ø125 mm   | 14510626 |
|  | Split inlet Ø160 int. / 2xØ100 mm ext.                                    | 14510726 |
|  | Adaptor Ø160/Ø150 mm  | 14511226 |
|  | Coupling tube Ø160mm  | 14511326 |
|  | Nozzle with magnet. 250 x 30 mm. Aluminium. Hose connection Ø100 mm.      | 14500226 |
|  | Nozzle with magnet. 260 x 100 mm. Polycarbonate. Hose connection Ø100 mm. | 14501226 |
|  | Split inlet Ø125 int. / 2xØ125 mm ext.                                    | 14500726 |
|  | Split inlet Ø125 int. / 2xØ75 mm ext.                                     | 14500826 |
|  | Foot stand for fan 529.   | 14321745 |

## Fan N29



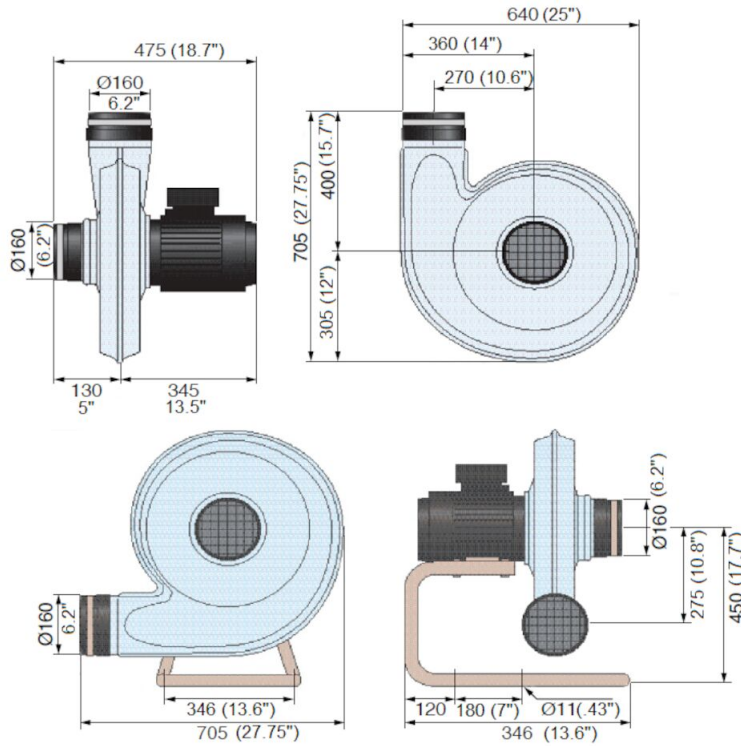
A = Fan total pressure (1,5 kW)

B = Fan static pressure (1,5 kW)

C = Fan total pressure (2,2 kW)

D = Fan static pressure (2,2 kW)

## Fan N29



N29 fan, version with and without stand