

## Fan N29

---



A centrifugal fan mainly designed for use with Nederman extraction products.

- Compact
- Easy to use

Product name	Fan N29
Installation	[Indoor], [Outdoor]
Material	• Fan casings: Sheet metal steel • Impeller: Sheet metal steel
Suitable for combustible dust	False
Airflow (m <sup>3</sup> /h)	1500 m <sup>3</sup> /h (1,5 kW), 3000 m <sup>3</sup> /h (2,2 kW)
Ambient temperature range	-20 to +40 C (-4 F to 104 F)
Operating Temperature	Max. 60 C
Frequency (Hz)	50
No of phases	3
Note	With fan bracket



## Fan N29

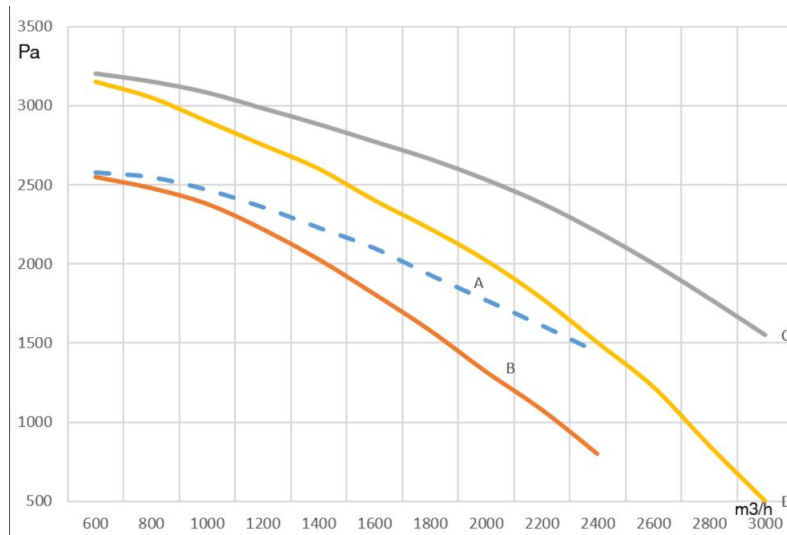
Power Voltage (V)	Amperage (A)	Weight (kg)	Power (kW)	Model
230/400	7,9/4,6	32	2,2	14510129*
200	9,35	22	2,2	14510329*
230/400	7,9/4,6	32	2,2	14510829
230/400	5,5/3,2	35	1,5	14522529*
220-240/380-420	5,5/3,2	21	1,5	14522629

\*With fan bracket

## Fan N29

	Accessory	Part No
	Coupling tube Ø75mm	14503626
	Adaptor Ø125/Ø100 mm	14341077
	Adaptor Ø125/Ø75 mm	14341080
	Coupling tube Ø100mm	14504626
	Coupling tube Ø125mm	14505626
	Coupling tube Ø150mm	14506626
	Inlet adaptor for hose Ø160 mm	14510326
	Adaptor Ø160/ext. Ø75 mm	14510426
	Adaptor Ø160/ext. Ø100 mm	14510526
	Adaptor Ø160 ext./Ø125 mm	14510626
	Split inlet Ø160 int. / 2xØ100 mm ext.	14510726
	Adaptor Ø160/Ø150 mm	14511226
	Coupling tube Ø160mm	14511326
	Nozzle with magnet. 250 x 30 mm. Aluminium. Hose connection Ø100 mm.	14500226
	Nozzle with magnet. 260 x 100 mm. Polycarbonate. Hose connection Ø100 mm.	14501226
	Split inlet Ø125 int. / 2xØ125 mm ext.	14500726
	Split inlet Ø125 int. / 2xØ75 mm ext.	14500826
	Foot stand for fan 529.	14321745

## Fan N29



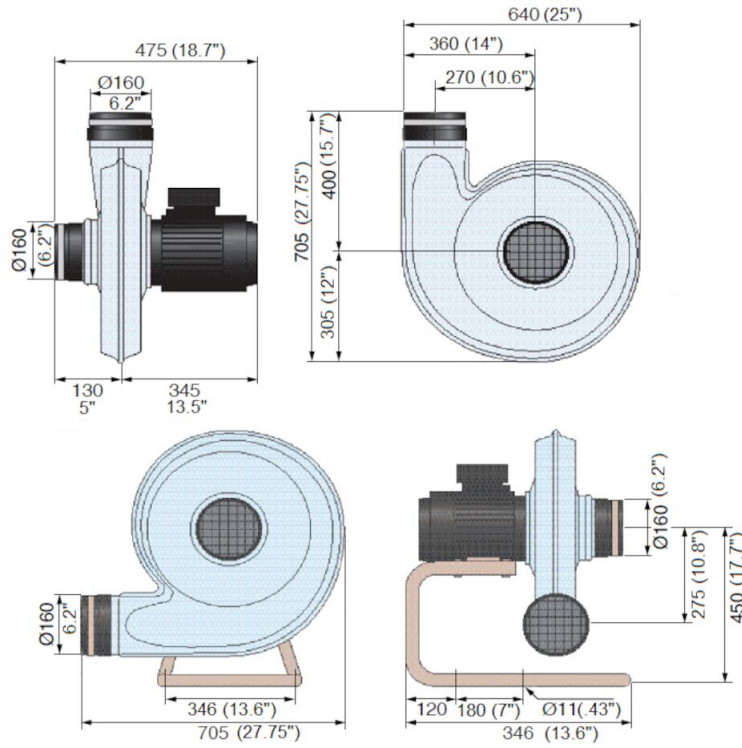
A = Fan total pressure (1,5 kW)

B = Fan static pressure (1,5 kW)

C = Fan total pressure (2,2 kW)

D = Fan static pressure (2,2 kW)

## Fan N29



N29 fan, version with and without stand