

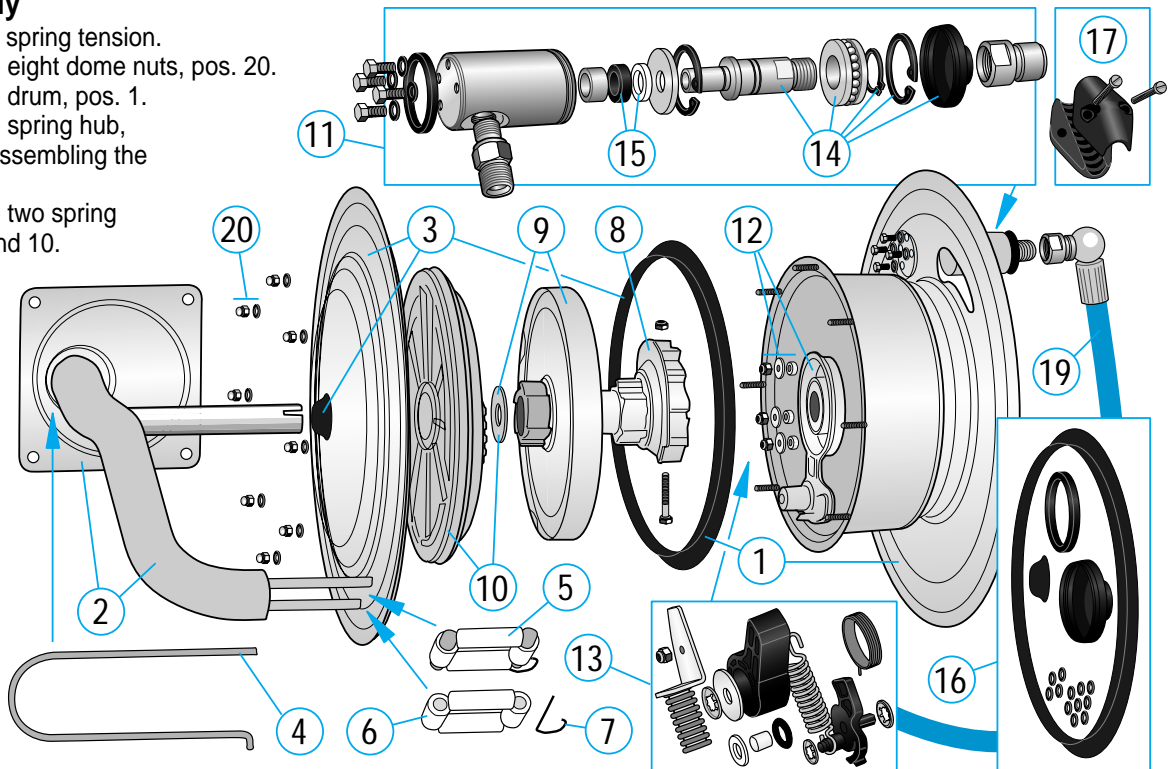
Spring Unit for Hose Reel, Serial 886

ATTENTION!

This spring unit replaces the previous two spring units.

Disassembly

1. Release the spring tension.
2. Remove the eight dome nuts, pos. 20.
3. Remove the drum, pos. 1.
4. Remove the spring hub, pos. 8, by disassembling the crossing bolt.
5. Remove the two spring units, pos. 9 and 10.



Assembly

1. Fit the new singel spring unit, pos. 10, on the shaft.
2. Fit the new spring hub, pos. 8, and tighten the crossing bolt.
3. Assemble the drum, pos. 1. Note that the eight fixing screws on the drum are positioned with unequal pitch, which means that only one fixing position against the drum side is possible.
4. Tighten the eight dome nuts, pos. 20.
5. Tension/adjust the spring force (see instruction manual). **Check that the required length of hose can be pulled out without stretching the spring to its limit.**

