

MOUNTING INSTRUCTION

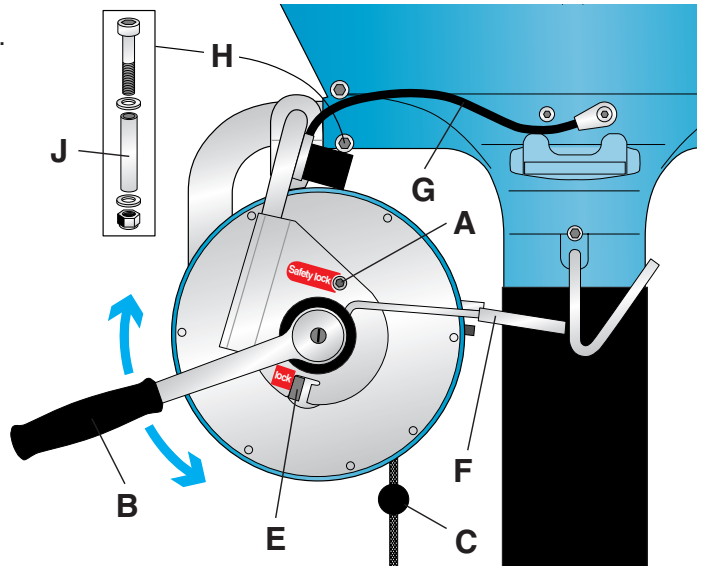
Replacing the Balancer for System 920-400

No. 148787/00
Date 2005-10-01

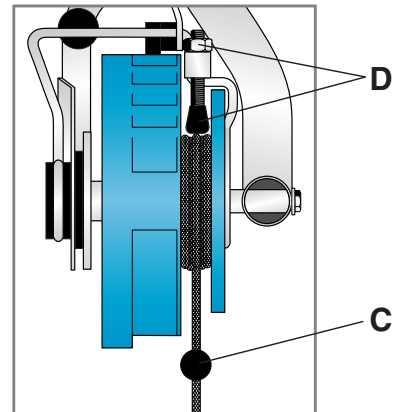
1. Neutralize the spring power in the following way:
 - Unscrew the safety screw **A**.
 - Use a locking handle **B** and turn a little anti-clockwise. Then push the button **E**. Release one revolution clockwise at a time. For each revolution the button **E** returns to its original position.
2. Free the spring **F** from the ratchet arm.
3. Loosen the security wire **G** in the suction trolley.
4. Loosen the lower screw **H**.
NB! The tube **J must be used when mounting the new balancer.**
5. Remove the balancer from the suction trolley.

WARNING!

Risk of personal injuries!
Do not open the spring cassette!



6. Mount the new balancer.
7. Fasten the lower screw **H** with the tube **J**.
8. Fasten the the security wire **G** in the suction trolley.
9. Fit the spring **F** in the damper arm.
10. Adjust the lifting power in the following way:
 - Loosen the stop ball **C**.
 - Unscrew the safety screw **A**.
 - Use a locking handle **B** and turn anti-clockwise one revolution at a time. Each revolution is marked with a "click" position. Turn until the hose has moved to required resting position.
 - Push the stop ball **C** up to the stop clamp adjusting screw **D**. Fasten the stop ball in this position.
 - Turn the locking handle one revolution more.
 - Check that the stop ball is engaged in the stop clamp and that the damper is closed. If not, screw the adjusting screw **D** downwards a little.
 - Fasten the safety screw **A**.



Checking of procedure

1. Make sure the safety screw **A** is in position.
2. Pull the hose to its maximum extent and check that the balancer winds the hose to its normal position at an even and steady pace. Hold the hose by hand while it returns.