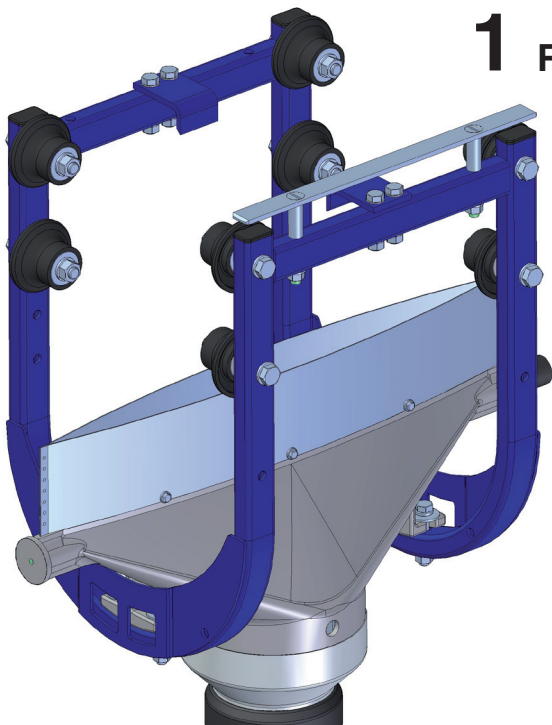


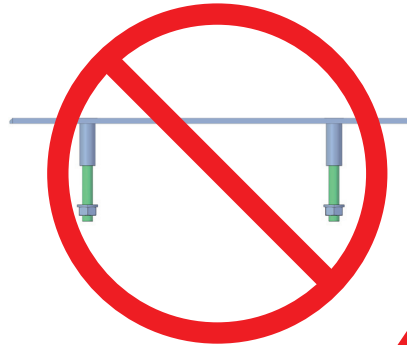
MOUNTING INSTRUCTION

ALU FlowLine Upgrade kit

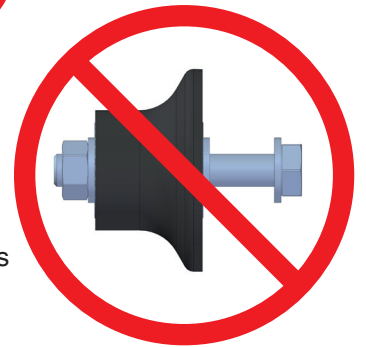
No. 148889/02
Date 2007-03-01



1 Remove following parts from the trolley



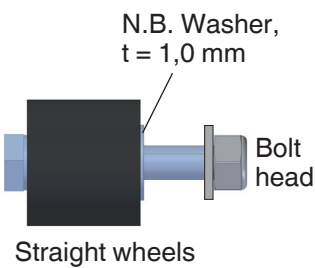
List for initiator



Conical wheels



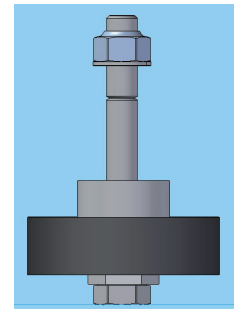
2 Add following parts to the trolley



Straight wheels

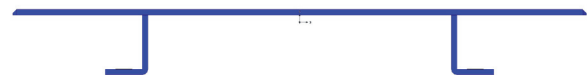
N.B. Washer,
t = 1,0 mm

Bolt
head



Guide wheel

List for initiator, upgrade



3 Adjusting the guide wheels to the rail bends

Adjust the centre of the guide wheels by untightening the centre screw and rotate the excentric boss and tighten the centre screw again.

The trolley shall run smooth through the complete rail bend.

