

Air driven ATEX series

500A EX - NE52, S200, ATEX Ex II 2GD

42250000

Original manual

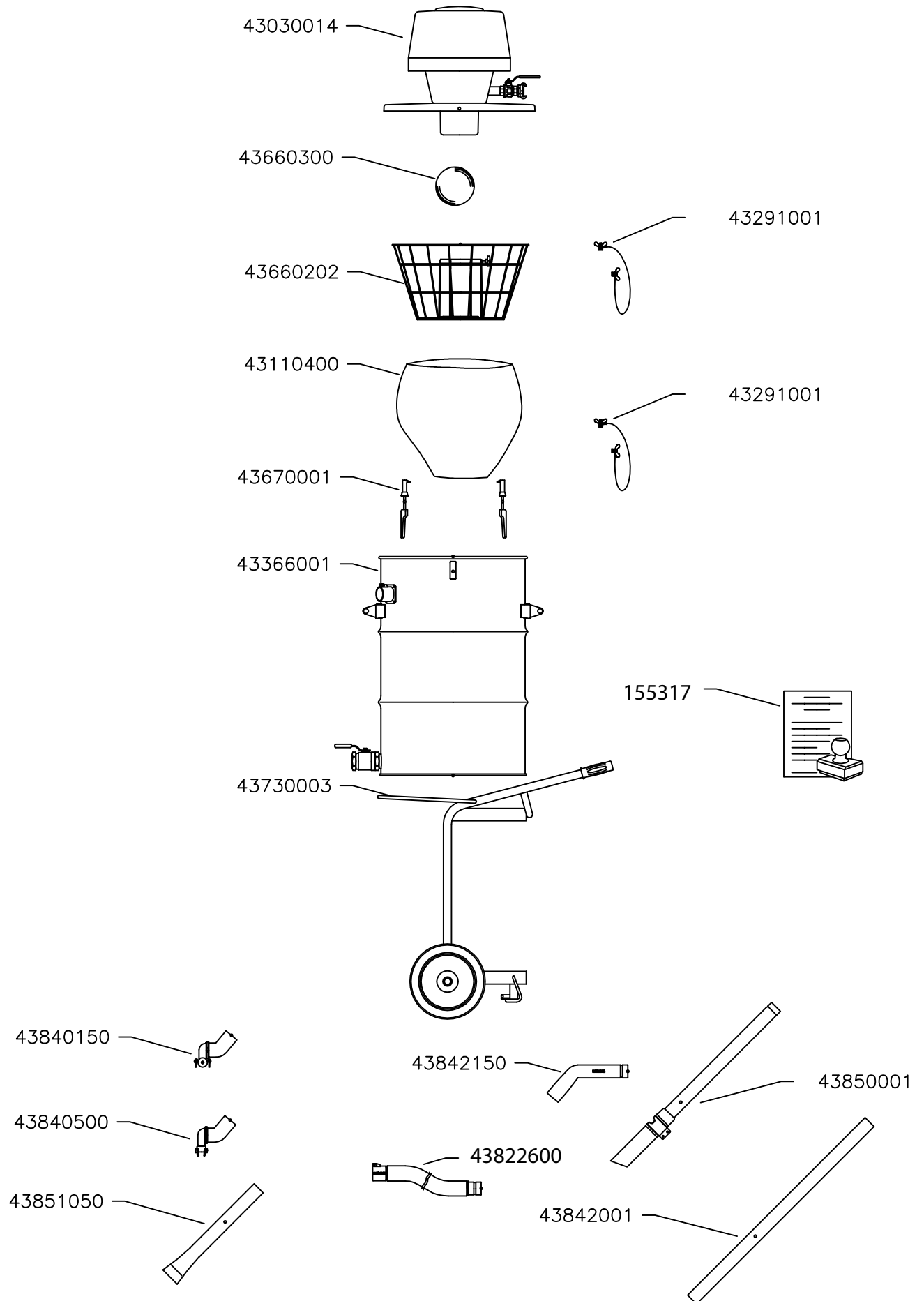
EN MODEL SPECIFICATION AND SPARE PARTS

Model Specification

Description: 500A EX - NE52, S200, ATEX Ex II 2GD

Model: 42250000

Code no.	Description	Qty.	Page
43030014	NE52, S200 antistatic	1	4
43110400	Filter bag S200 antistatic	1	-
43291001	Earthingkit	2	-
43366001	Container S200 inlet d51	1	5
43660202	Basket S200 galvanized	1	6
43660300	Float ball S50/200	1	-
43670001	Fastener complete	1	-
43730003	Trolley S200 w/2 wheels Antistatic	1	7
43822600	Hose PVC-51 L=7,5m incl couplings	1	-
43840150	Floor suct head d51/500	1	8
43840500	Wet suct head d51/400	1	9
43842001	Suction pipe d51 PEHD-el 1m	1	-
43842150	Pipe bend d51 antistatic	1	-
43850001	Gulper head d51	1	-
43851050	Scraping tool d51 L=500	1	-
155317	Test protocol Ab500Ex 422500XX	1	-

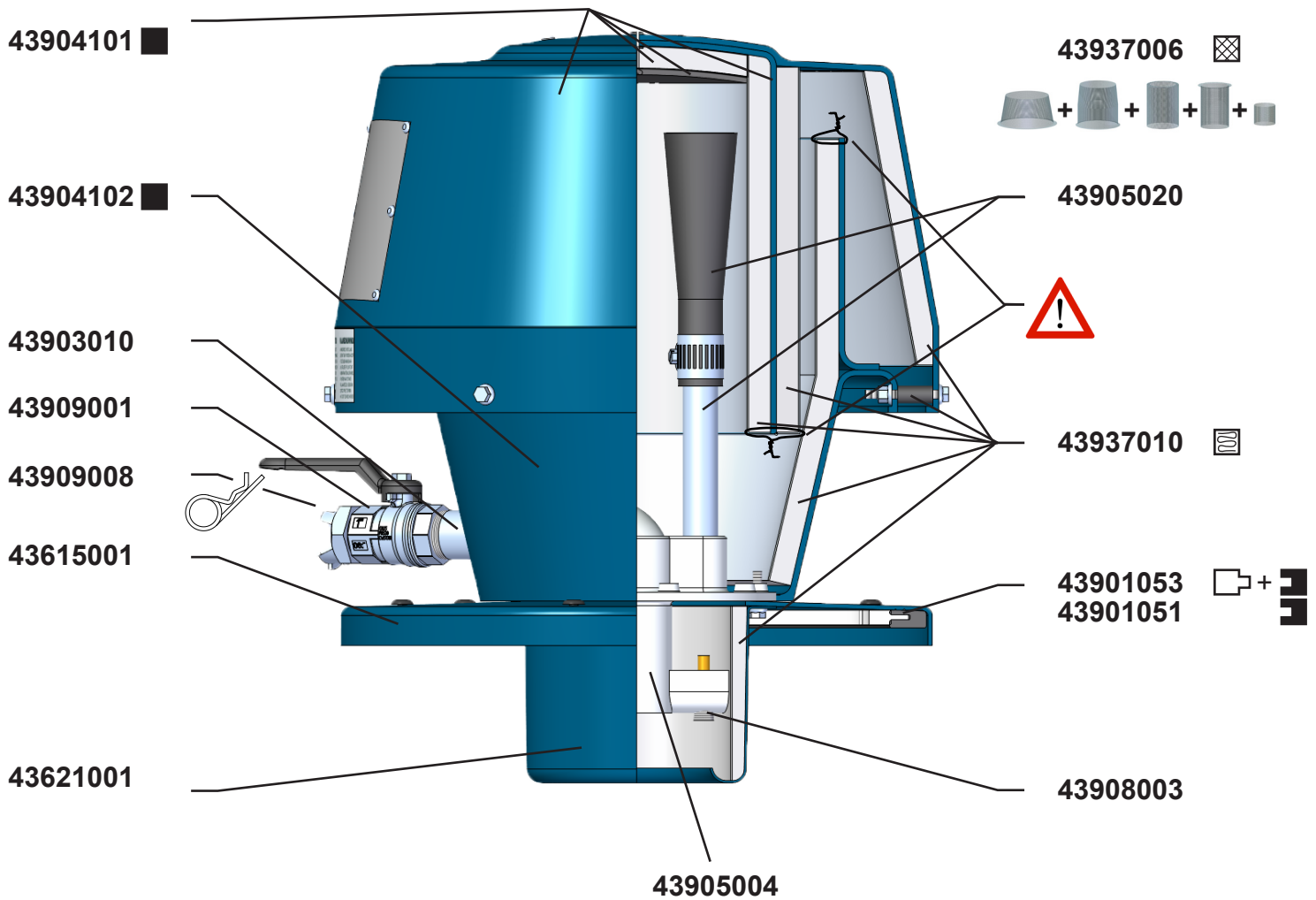




MAX 8 bar

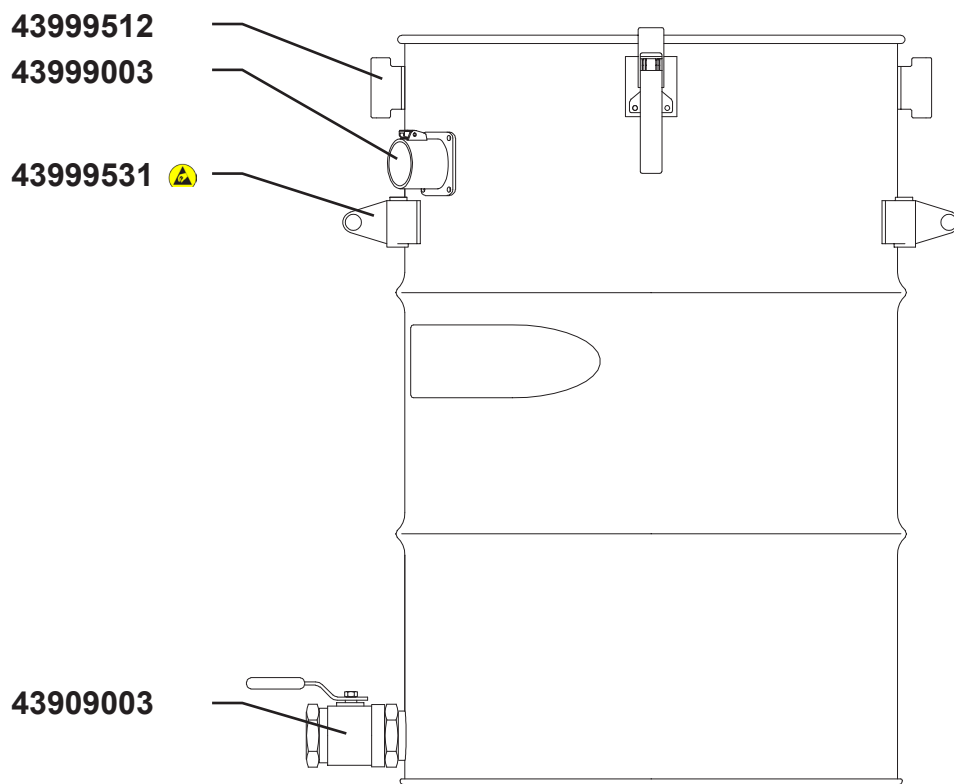


S235JR(St37.2)





S235JR(St37.2)





S235JR(St37.2)

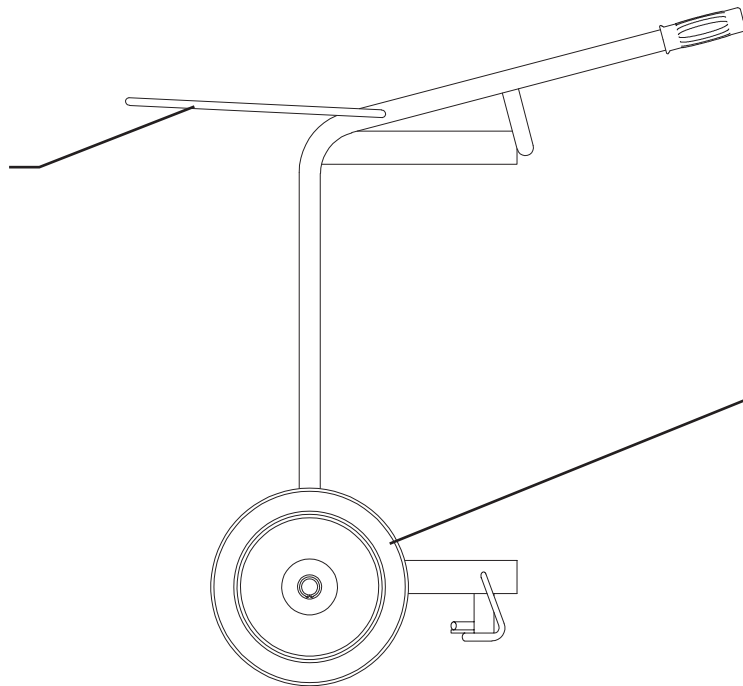
43908004




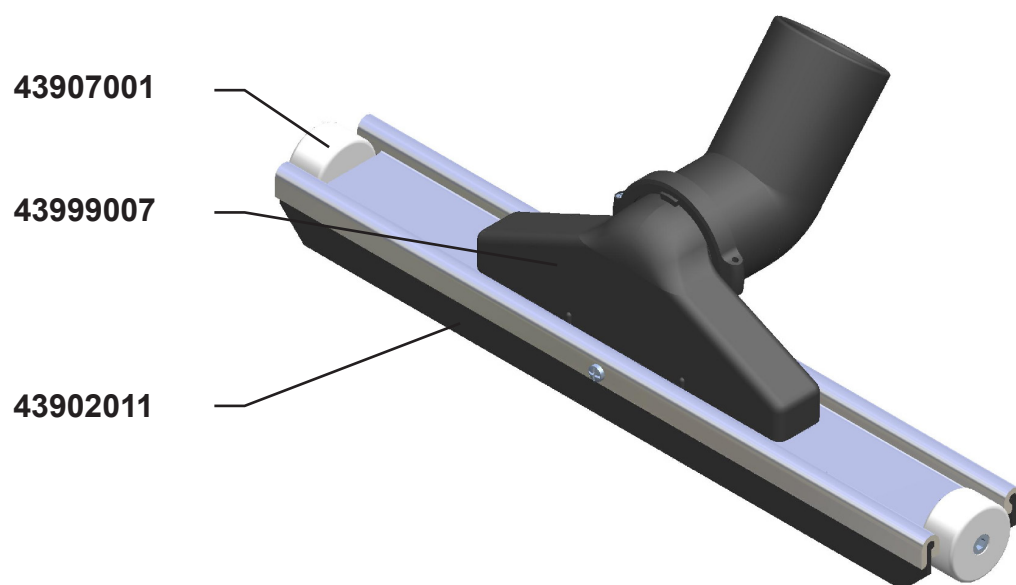


S235JR(St37.2)

43903050

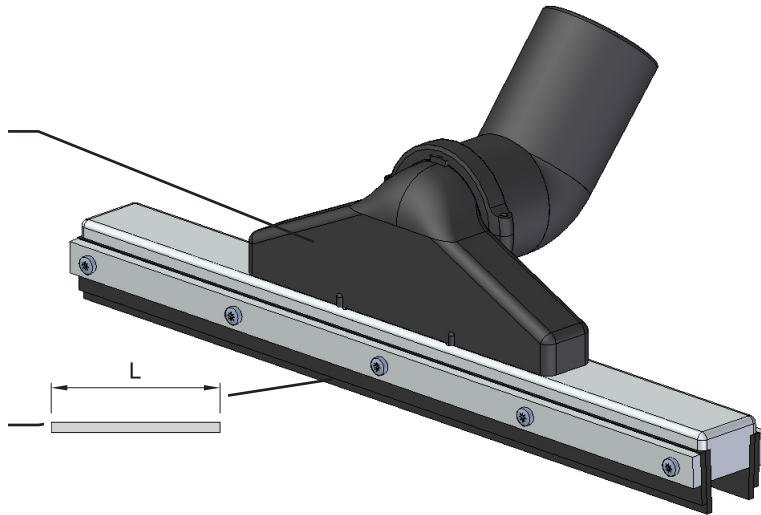


43907015 





43999007



L=390mm

43902040

