

Air driven series

581A - NE76, S200

42158100

Original manual

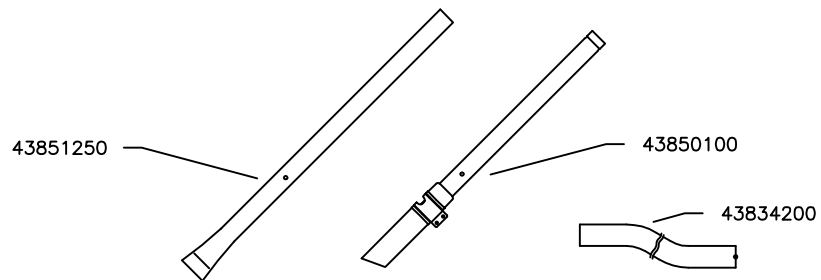
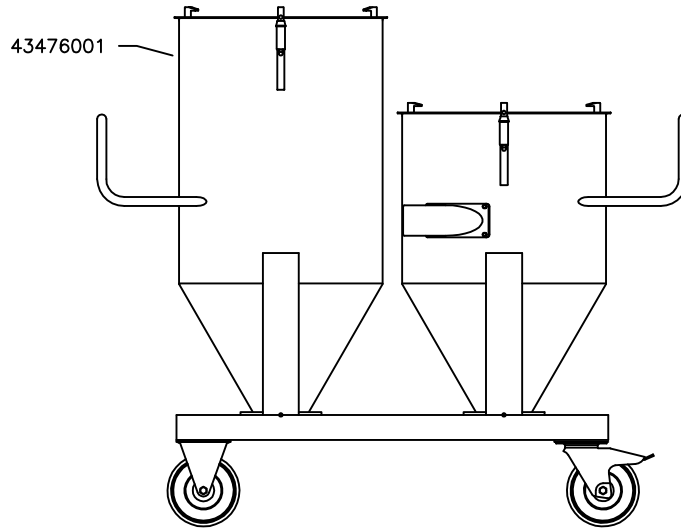
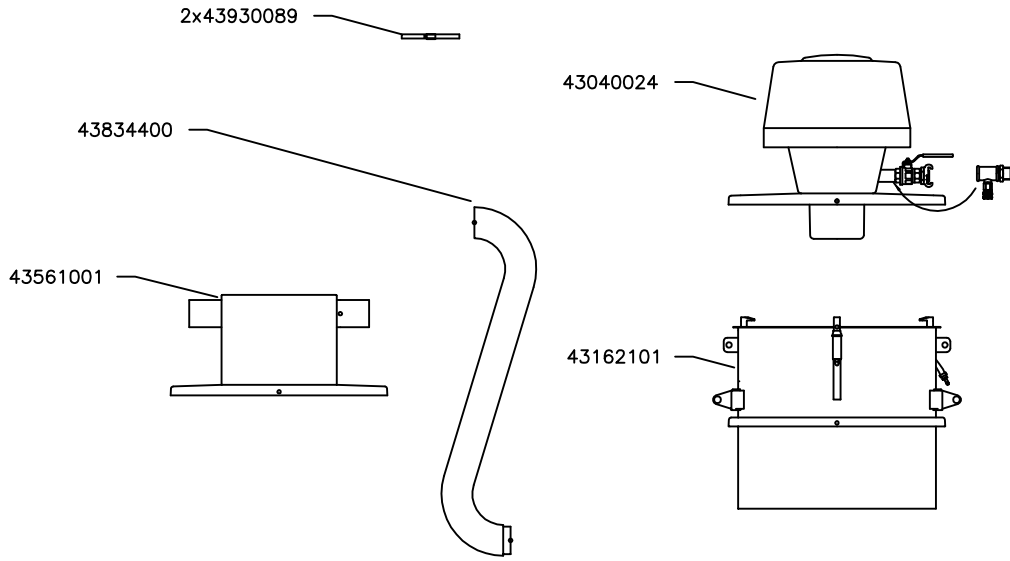
EN MODEL SPECIFICATION AND SPARE PARTS

Model Specification

Description: 581A - NE76, S200

Model: 42158100

Code no.	Description	Qty.	Page
43040024	NE76, S200 w/1 q.coupl	1	4
43162101	NCF3.15-I S200 Vyon F	1	5
43476001	Mobile frame w/2 silos w/ih d76	1	6
43561001	Coarse grain sep S200 d76/76	1	7
43630001	Discharge valve manual	2	8
43834200	Suction hose PU d76 L=10m	1	-
43834400	Suction hose PU d76 L=1.5m	1	-
43850100	Gulper head d76	1	-
43851250	Scraping tool d76 L=1000	1	-
43930089	Hose clamp d68 - 85	2	-

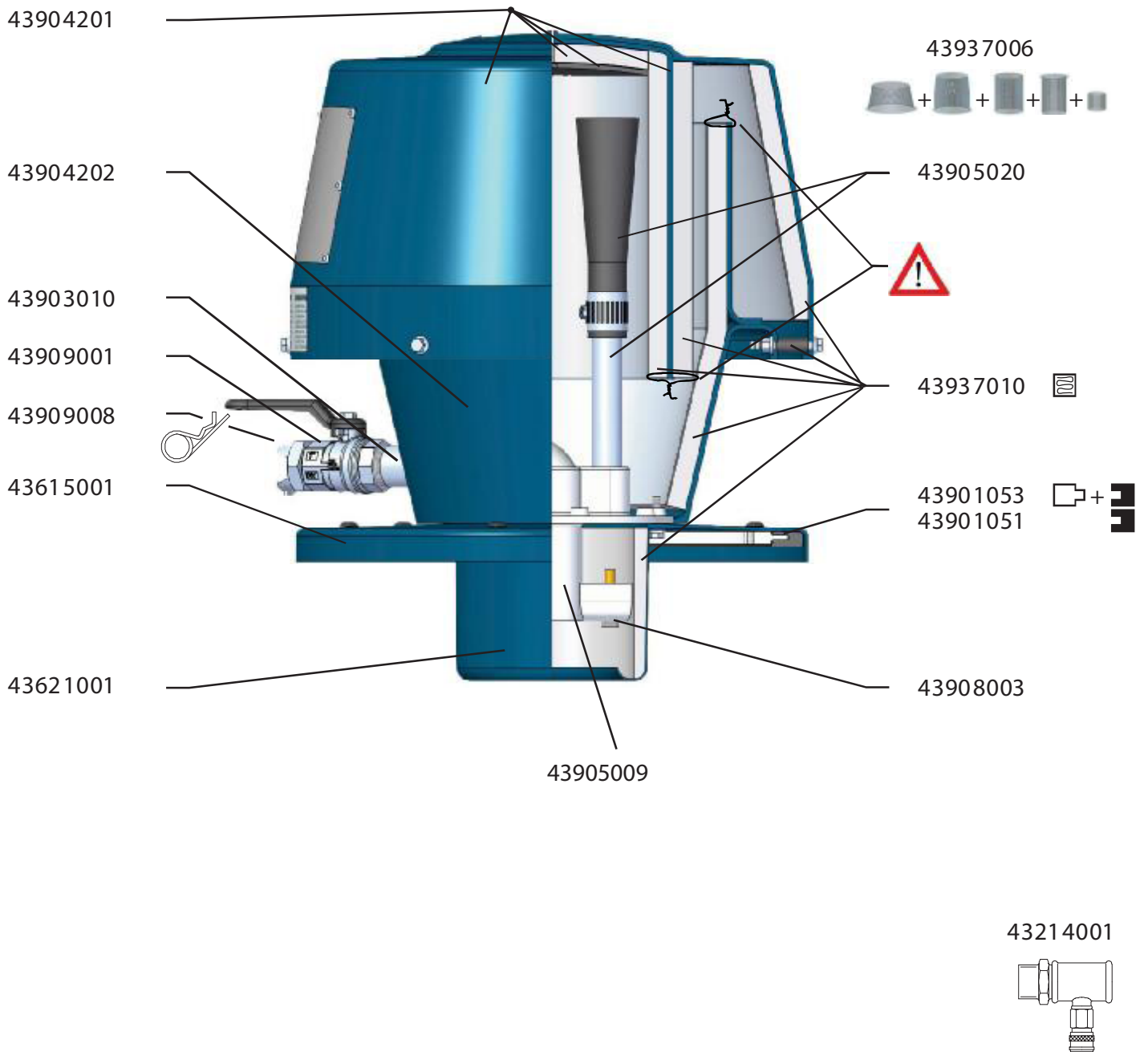




MAX 8 bar



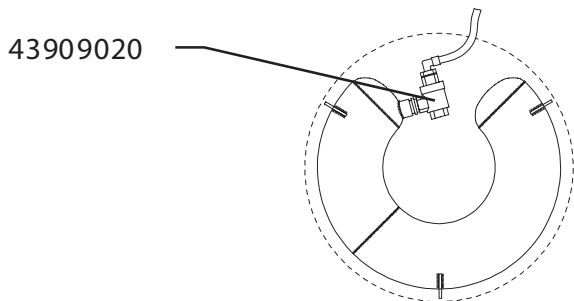
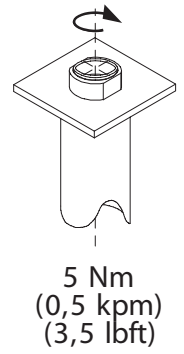
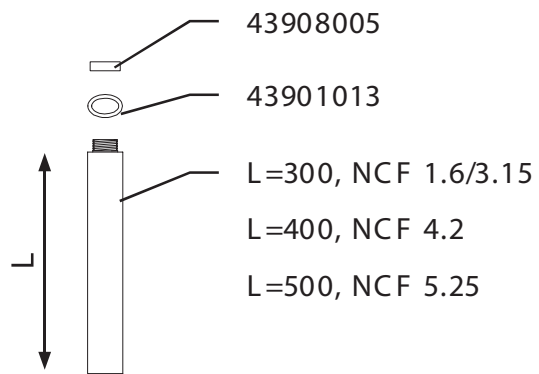
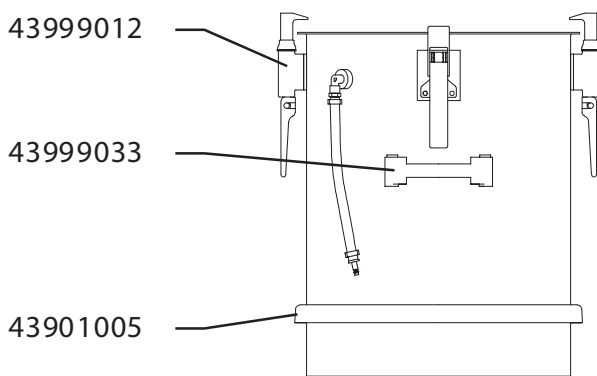
S 235 JR (S t37.2)



43040024



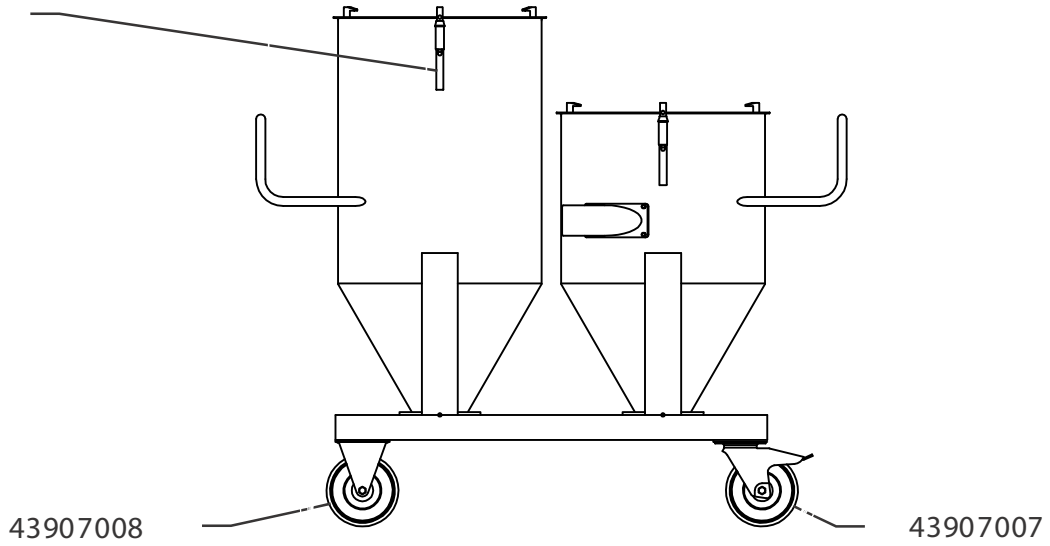
MAX 8 bar





S 235JR(S t37.2)

43999012



43476001



S 235JR (St37.2)

