

Air driven ATEX series

**950A EX - NE74, ATEX Ex II 2GD**

42295000

---

**Original manual**

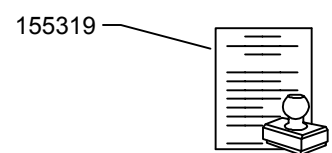
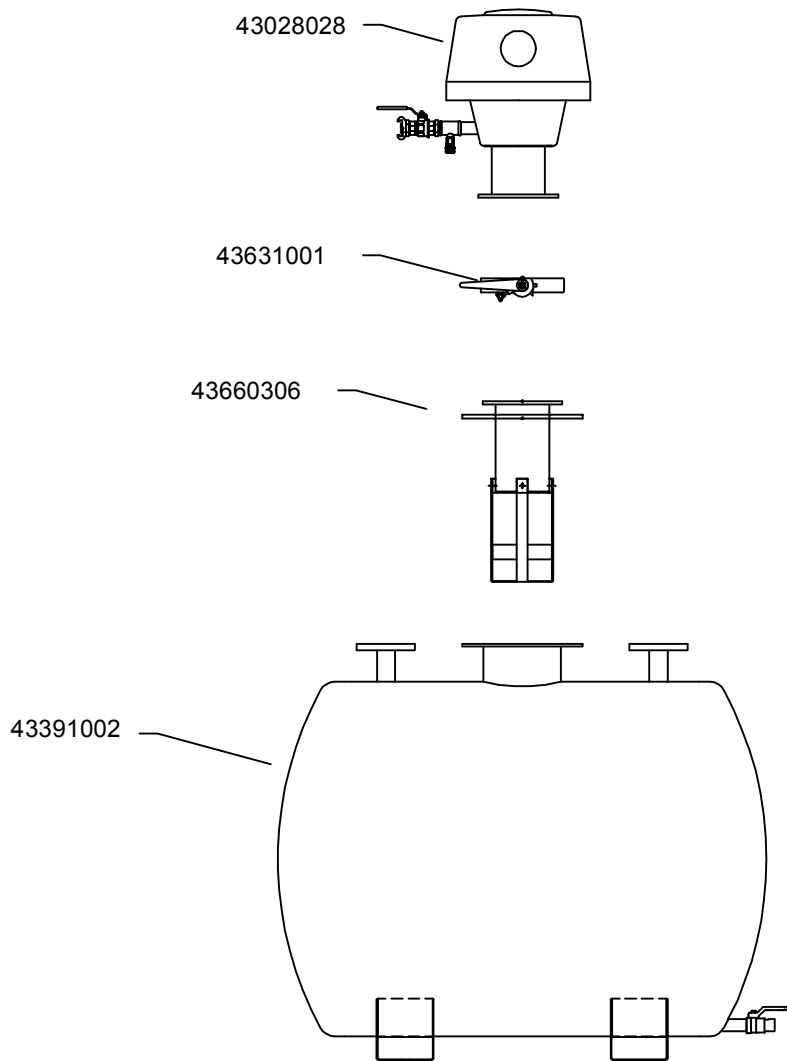
EN MODEL SPECIFICATION AND SPARE PARTS

## Model Specification

**Description:** 950A EX – NE74, ATEX Ex II 2 GD, tank 950 litre

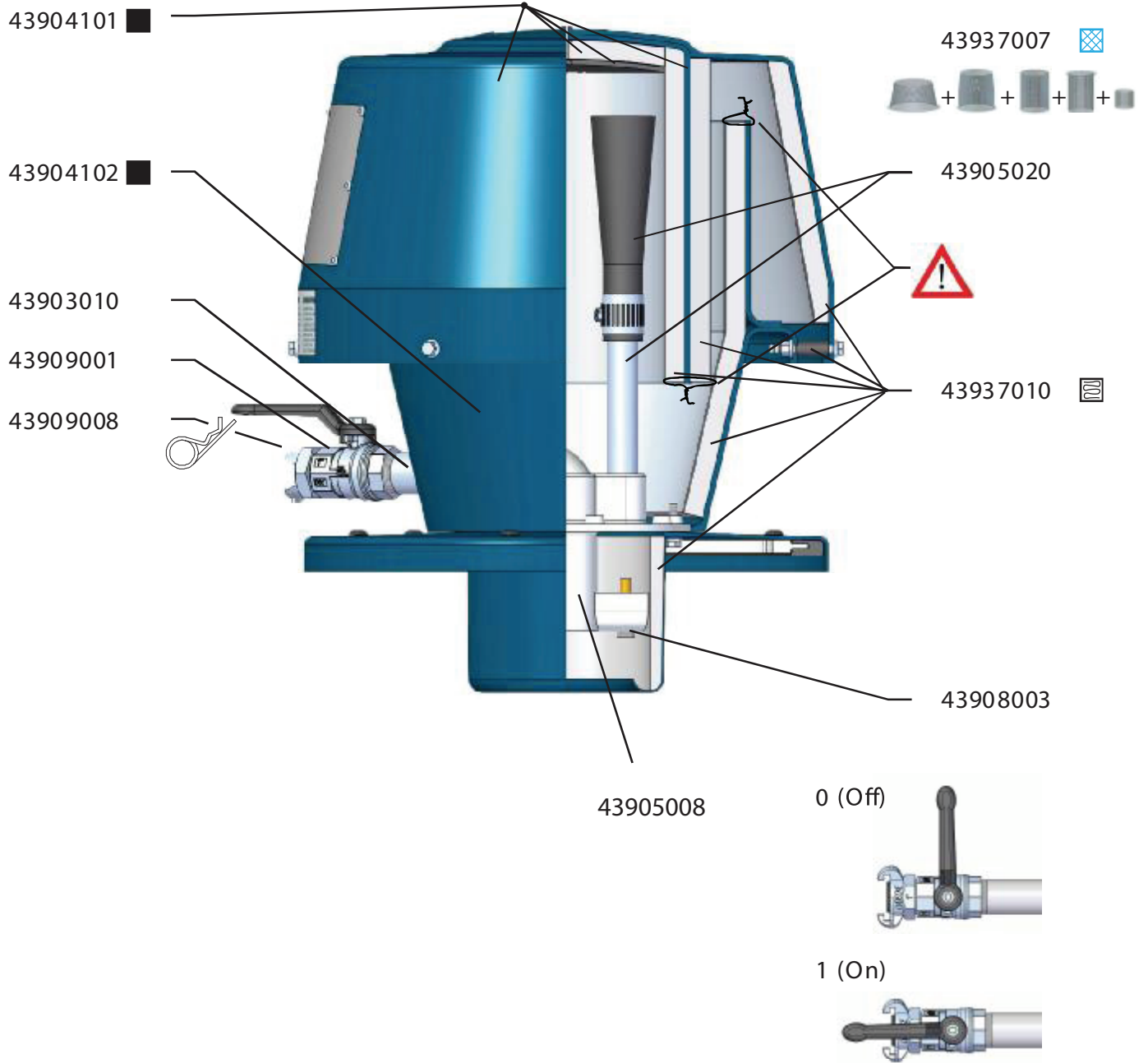
**Model:** 42295000

Code no.	Description	Qty.	Page
43028028	NE74, A4, w/flange, wo/lid-cup antistatic	1	4
43391002	Tank 950l A4	1	-
43631001	Butterfly valve DN150 w/A4 plate	1	-
43660306	Float holder A4 w/A4 ball f/tank	1	-
155319	Testing/approval Ab950ex	1	-





MAX 8 bar



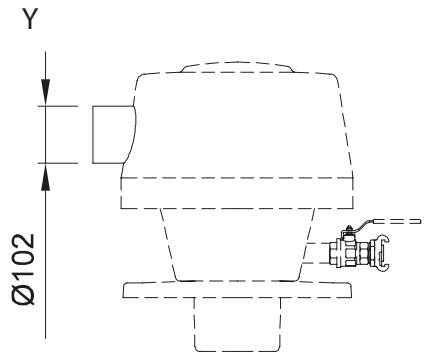
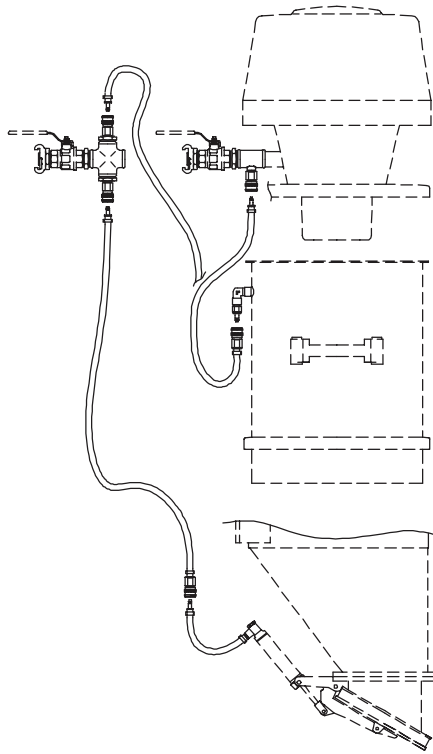
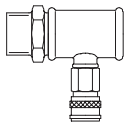
43028028



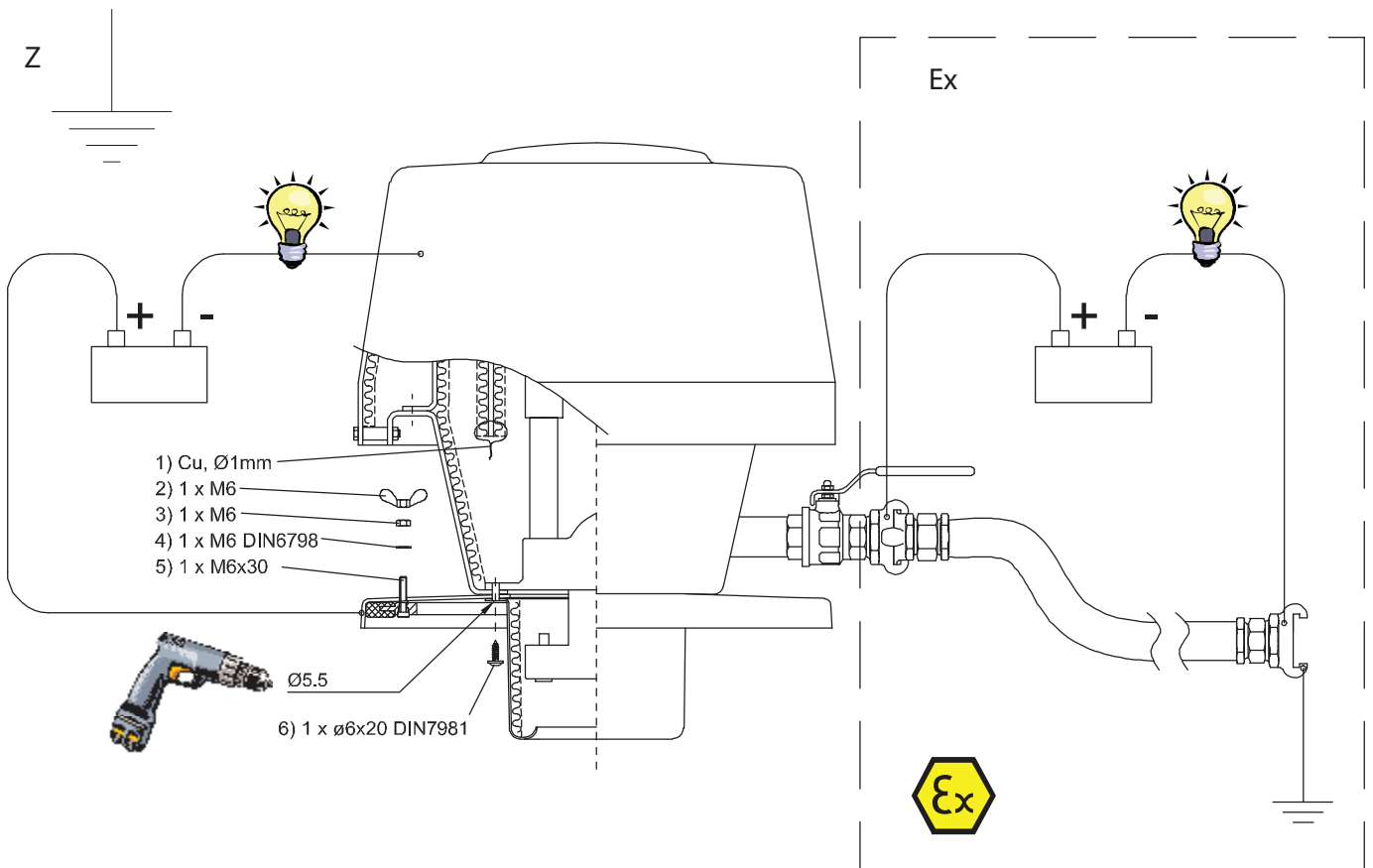
MAX 8 bar



43214001



Z



43028028

