

Electric driven series
104E - NEL2R,S50,230V,50/60Hz

42410400

Original manual

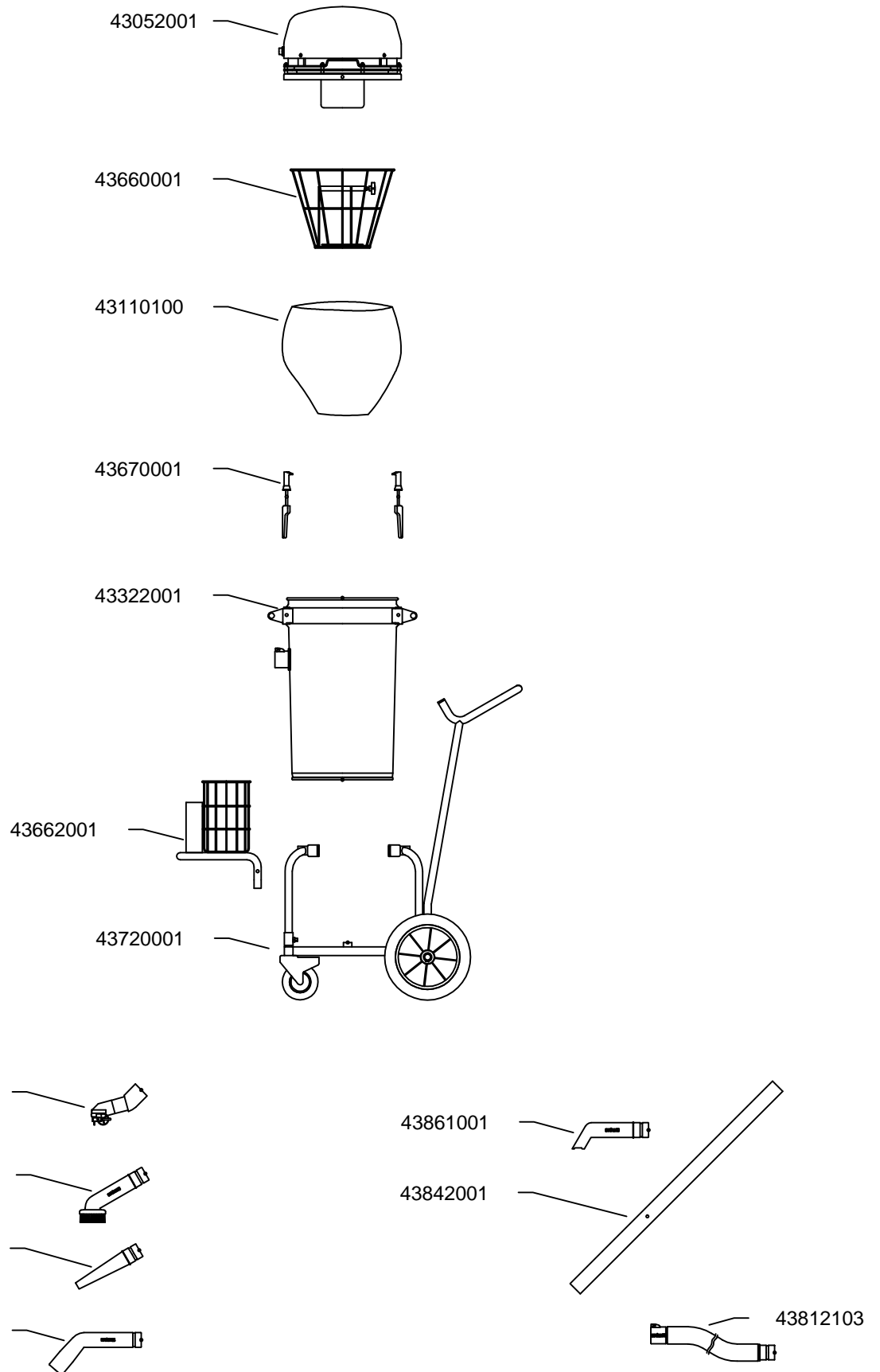
EN MODEL SPECIFICATION AND SPARE PARTS

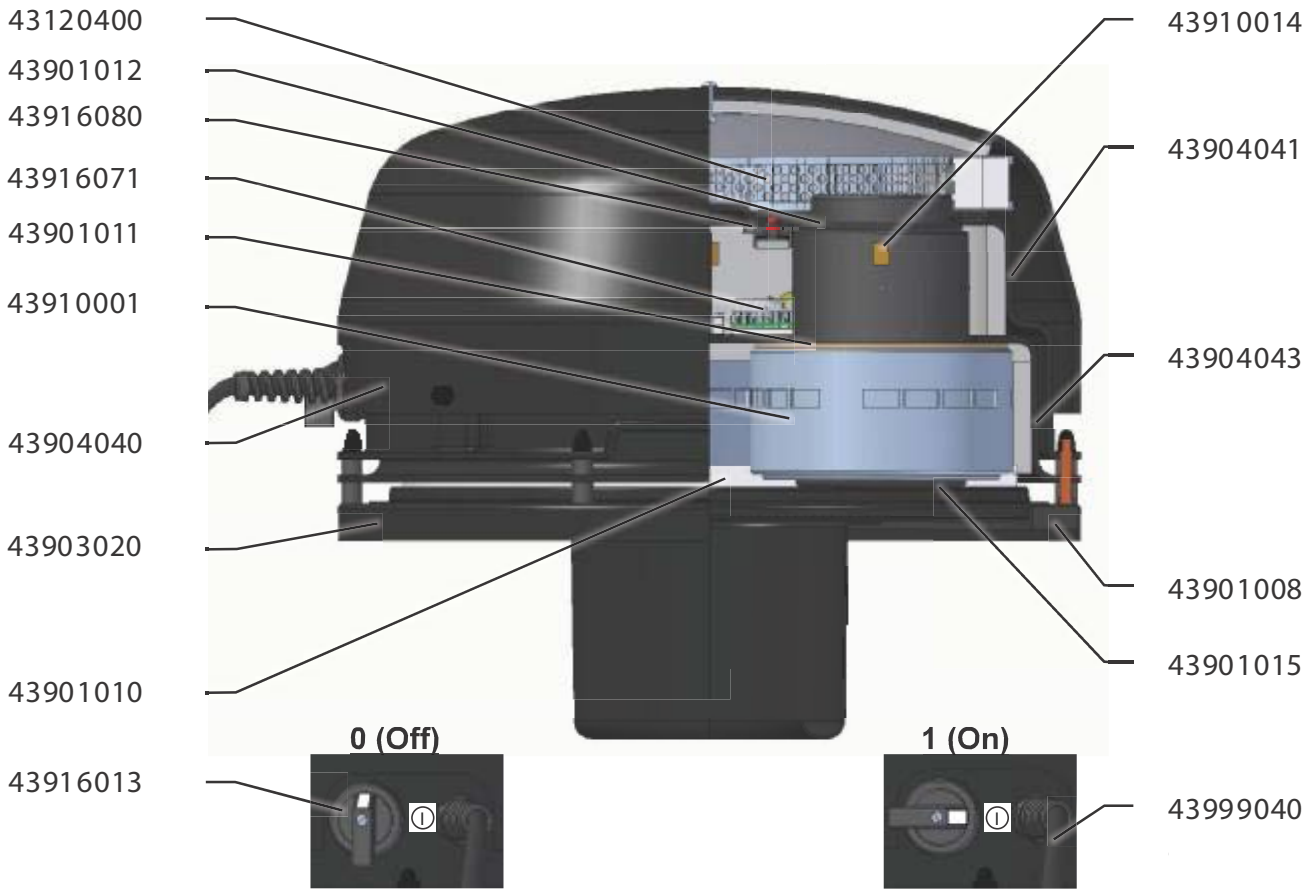
Model specification

Description: 104E - NEL2R,S50,230V,50/60Hz

Model: 42410400

Code no.	Description	Qty.
43052001	NEL2R, S50 1.7/1.6kW 230V 50/60Hz	1
43110100	Filter bag S50 polyester/teflon	1
43322001	Container S50 inlet d51	1
43670001	Fastener complete	1
43660001	Basket S50 f/ball/filter bag	1
43662001	Accessory basket S50	1
43720001	Trolley S50	1
43840001	Floor suct head d51/450	1
43860200	Brush nozzle d51 soft	1
43861001	Hand suct head d51 toothed	1
43862001	Conical nozzle d51	1
43842150	Pipe bend d51 antistatic	1
43842001	Suction pipe d51 PEHD-el L-1140 mm	1
43812103	Hose PE/C-51 L=7,5m w.couplers	1

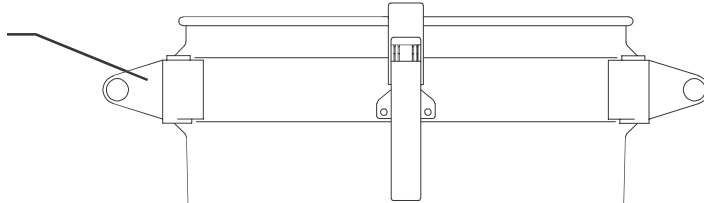




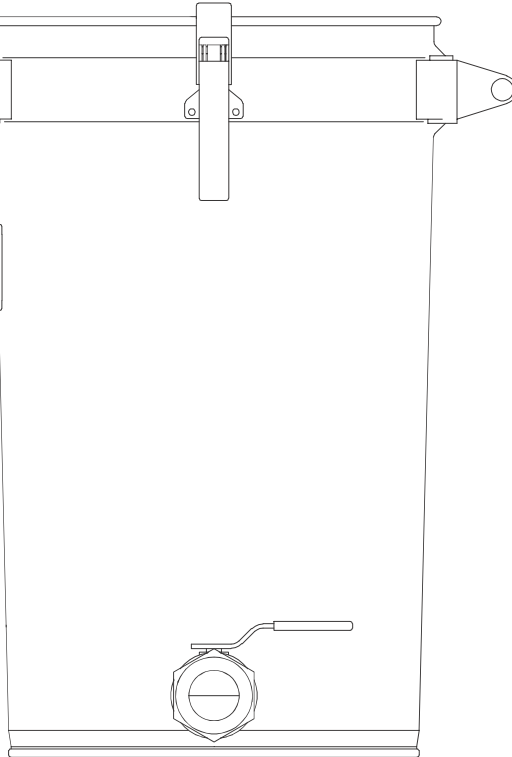
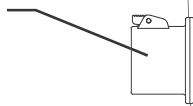


S 235JR (St t37.2)

43999031



43999003





43908004



43660001



S 235JR (St37.2)

