

Electrical series

**216E - NEL3RT, S50, 230V, 50/60 Hz**

42421601

---

**Original manual**

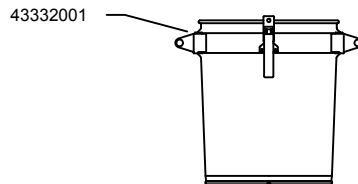
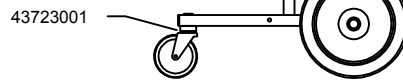
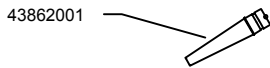
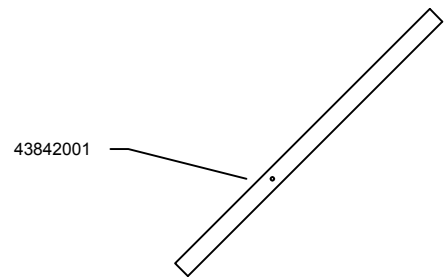
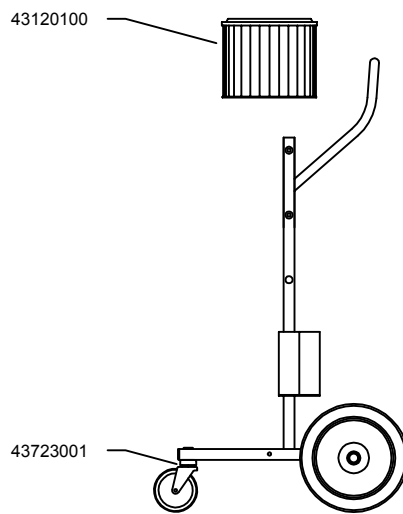
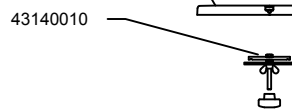
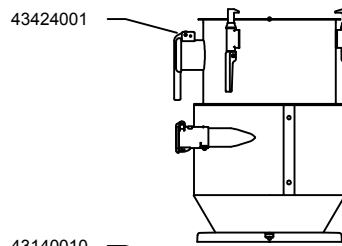
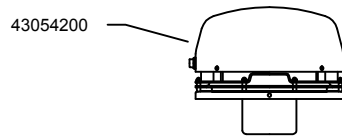
EN MODEL SPECIFICATION AND SPARE PARTS

## Model Specification

**Description:** 216E - NEL3RT, S50, 230V, 50/60 Hz

**Model:** 42421601

Code no.	Description	Qty.	Page
43054200	NEL3RT, S50 2,4kW 230V 50Hz	1	4
43130500	Absolute filter L=220 A=1.56m <sup>2</sup> w/pe	1	-
43140010	Clamp f/cartr.filter M10 L=90 El-Zn	2	-
43332001	Container S50 47l w/ecc fastners	1	5
43424001	Silo S50 w/rev air clean d51	1	6
43723001	Trolley S50 f/silo	1	7
43840001	Floor suct head d51/450	1	8
43860200	Brush nozzle d51 soft	1	-
43862001	Conical nozzle d51	1	-
43842001	Suction pipe d51 PEHD-el 1m	1	-
43842150	Pipe bend d51 antistatic	1	-
43812103	Hose PE/C-51 L=7,5m	1	-
43120100	Cartridge filter L=220 A=2.38m <sup>2</sup>	1	-

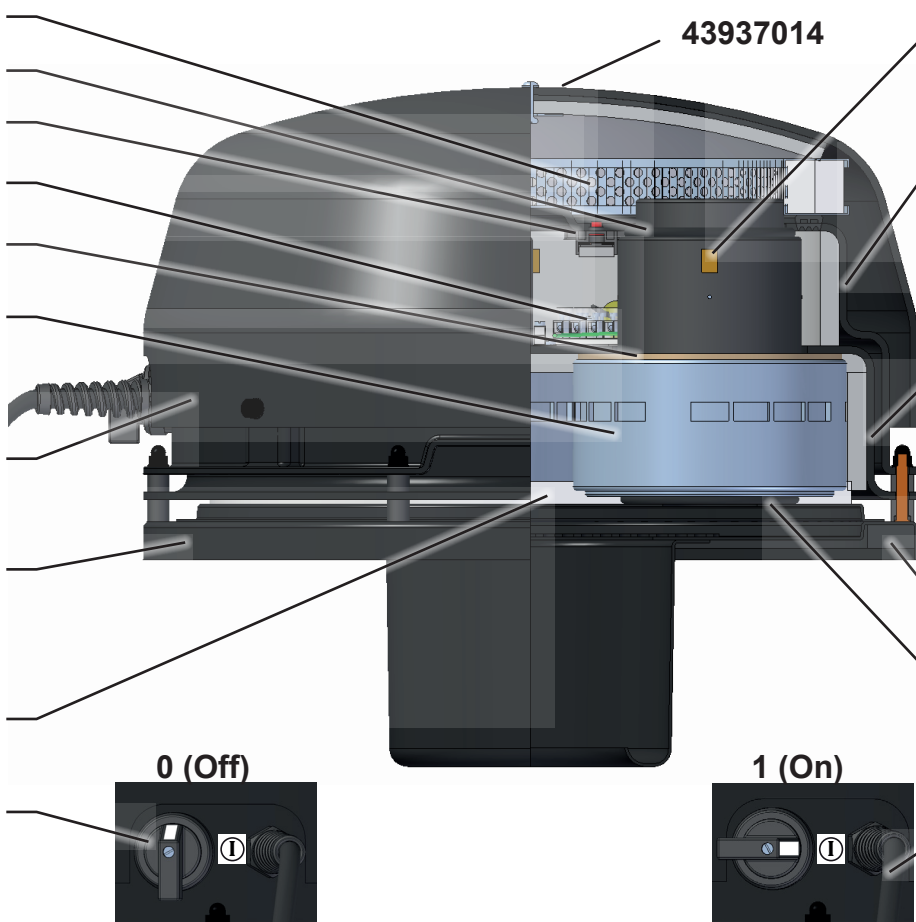




MAX 40°C



- 43120400
- 43901012
- 43916080
- 43916071
- 43901011
- 43910001
- 43904040
- 43903021
- 43901010
- 43916013



43937014

- 43910014
- 43904042
- 43904044
- 43901008
- 43901015
- 43999040



43999021

43999531

