

Air driven ATEX series

510A EX - NE74, S200, ATEX Ex II 2GD

42251007

Original manual

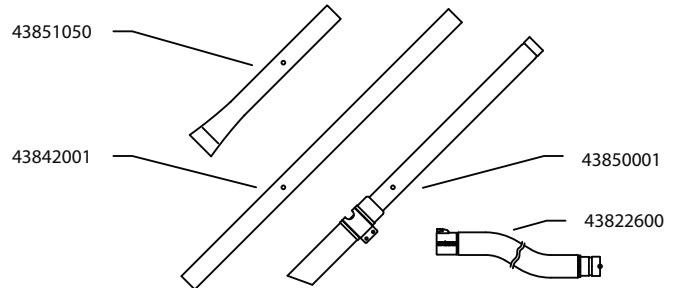
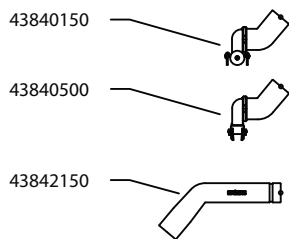
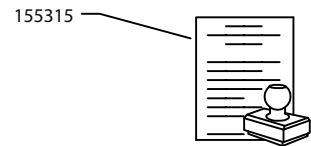
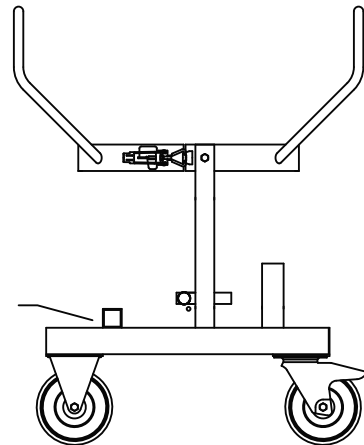
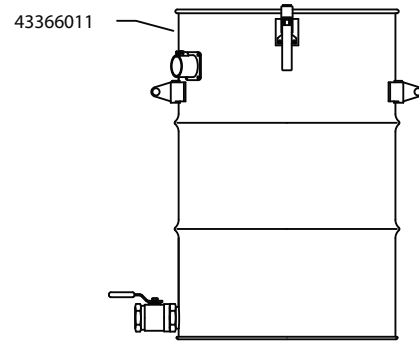
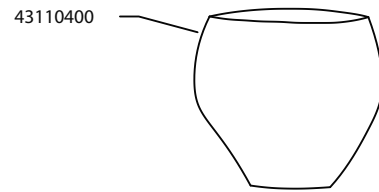
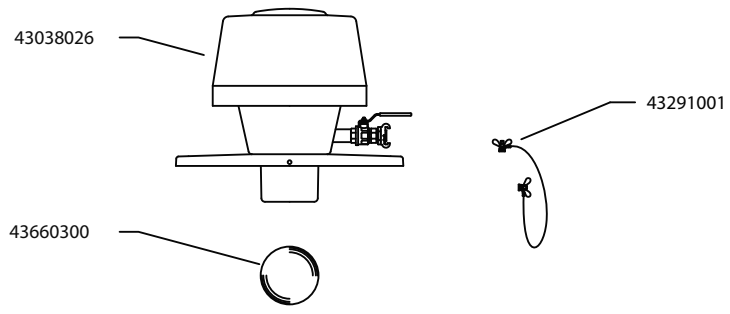
EN MODEL SPECIFICATION AND SPARE PARTS

Model Specification

Description: 510A EX-NE74,S200, ATEX Ex II 2GD

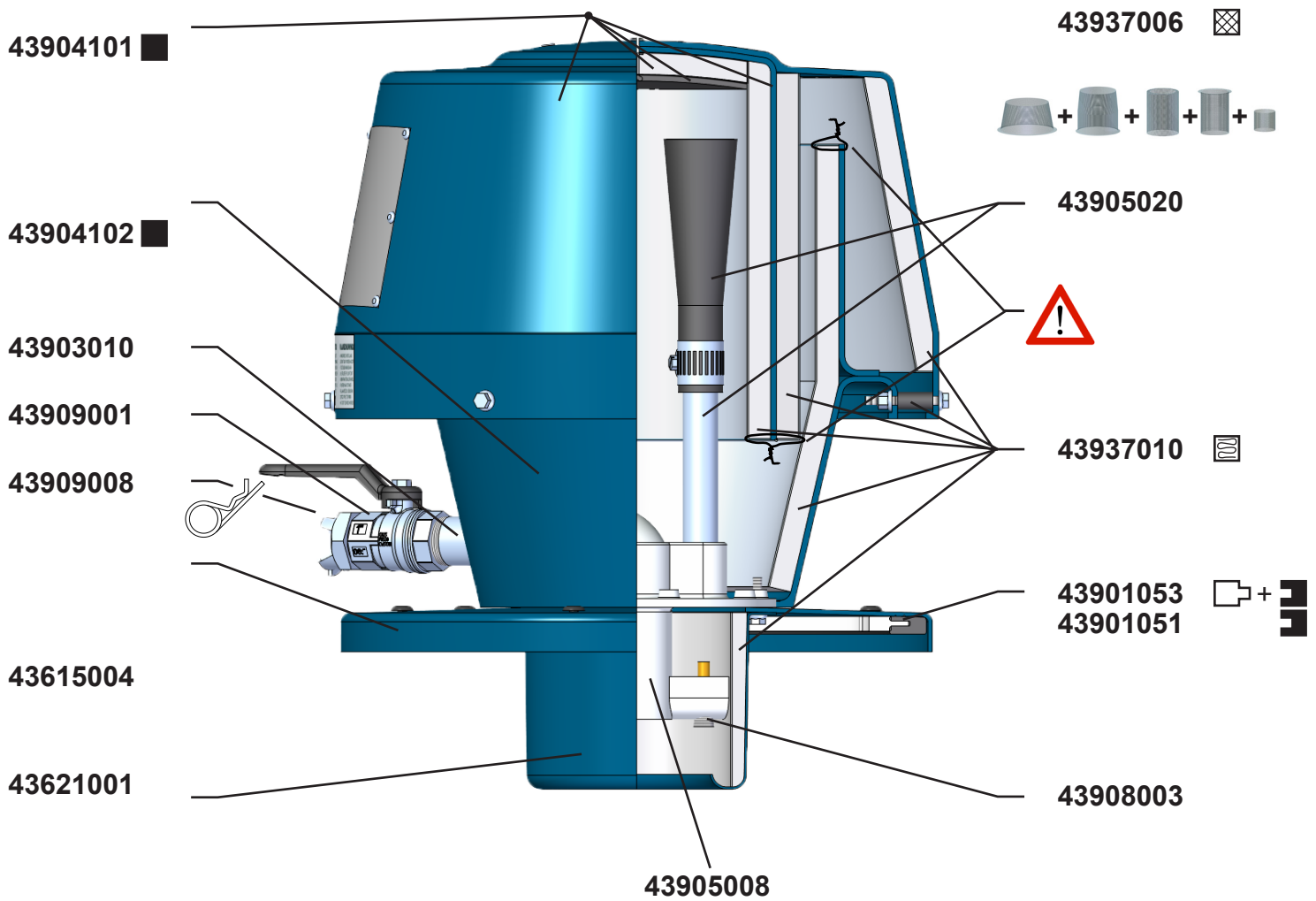
Model: 42251007

Code no.	Description	Qty.	Page
43038026	NE74, S200 w/3 hooks Antistatic	1	4
43110400	Filter bag S200 antistatic	1	-
43291001	Earthingkit	1	-
43366011	Container S200 inlet d51	1	5
43660202	Basket S200 galvanized	1	6
43660300	Float ball S50/200	1	-
43731011	Trolley tippable S200 Antistatic	1	7
43840150	Floor suct head d51/500	1	8
43840500	Wet suct head d51/400	1	9
43842001	Suction pipe d51 PEHD-el 1m	1	-
43842150	Pipe bend d51 antistatic	1	-
43822600	Hose PVC-51 L=7,5m incl couplings	1	-
43850001	Gulper head d51	1	-
43851050	Scraping tool d51 L=500	1	-
155315	Test protocol Ab510Ex 422510XX	1	-





MAX 8 bar



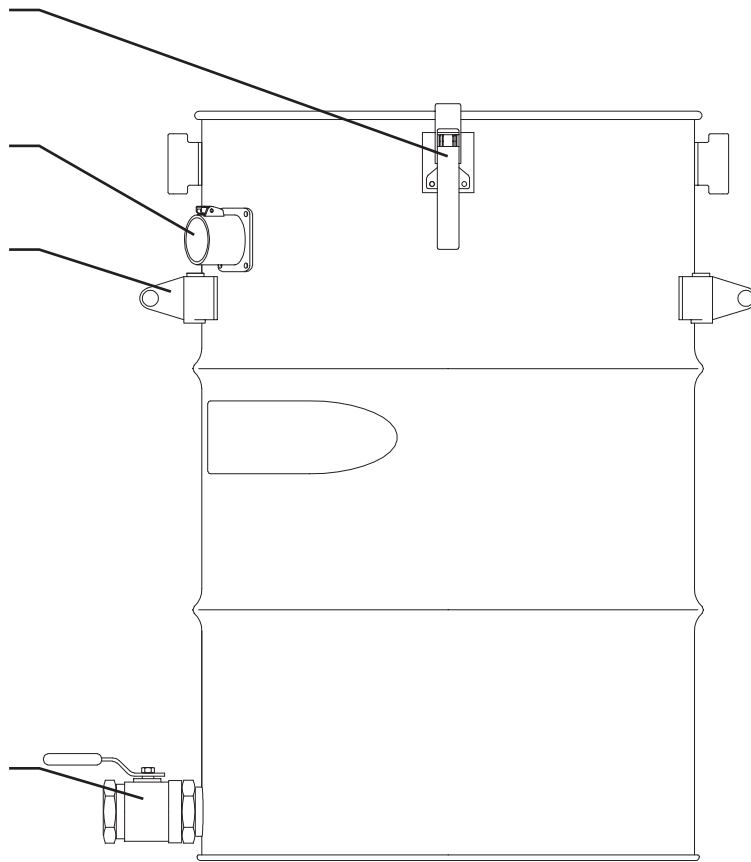


43999021

43999003

43999531 ⚠

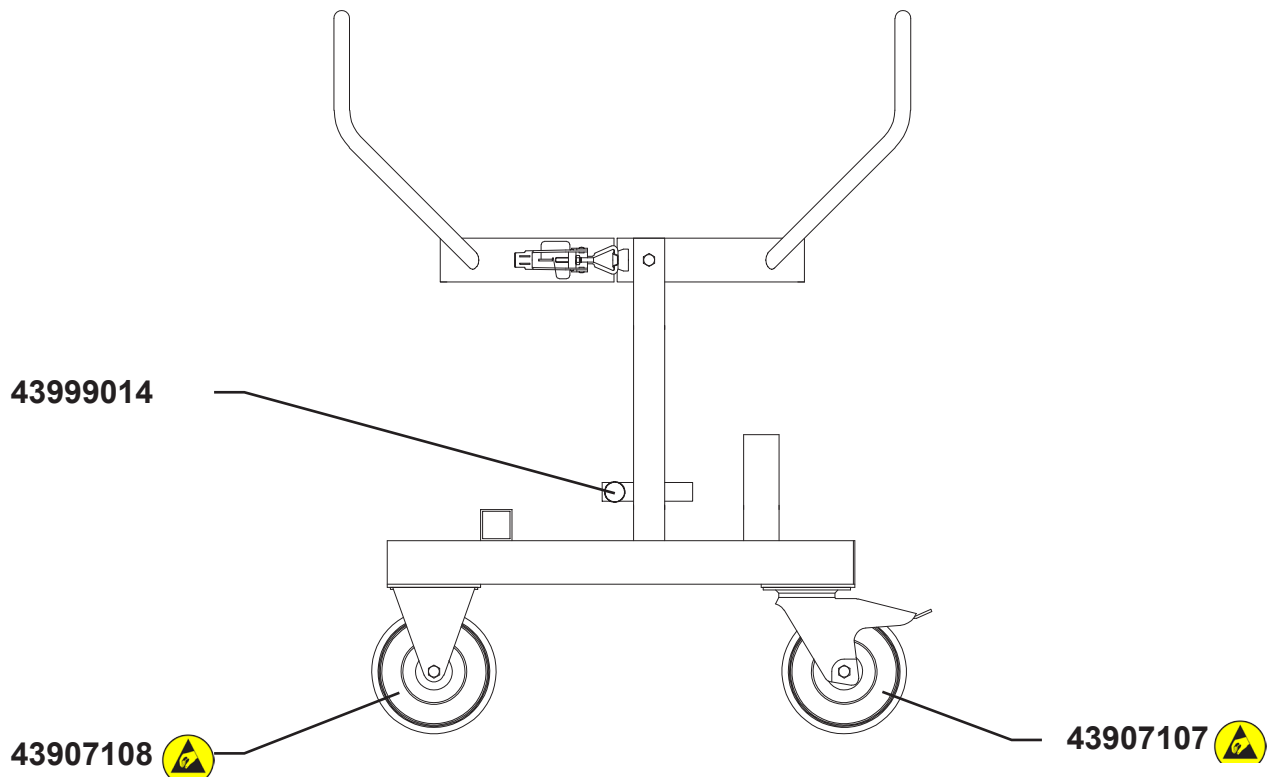
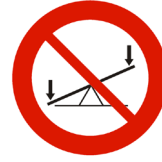
43909003

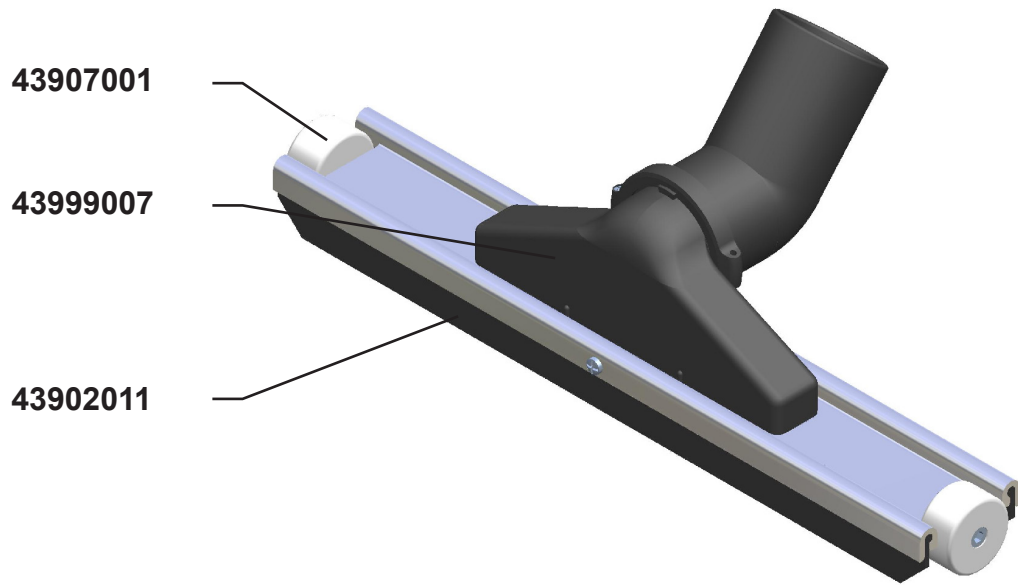




43908004







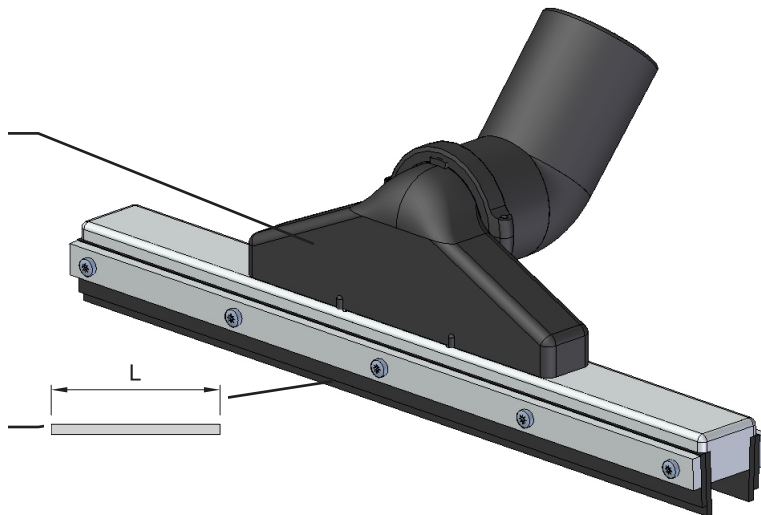
43907001

43999007

43902011



43999007



L=390mm

43902040

