

Air driven ATEX series

510A EX - NE52, S200, ATEX Ex II 2 GD

42251033

Original manual

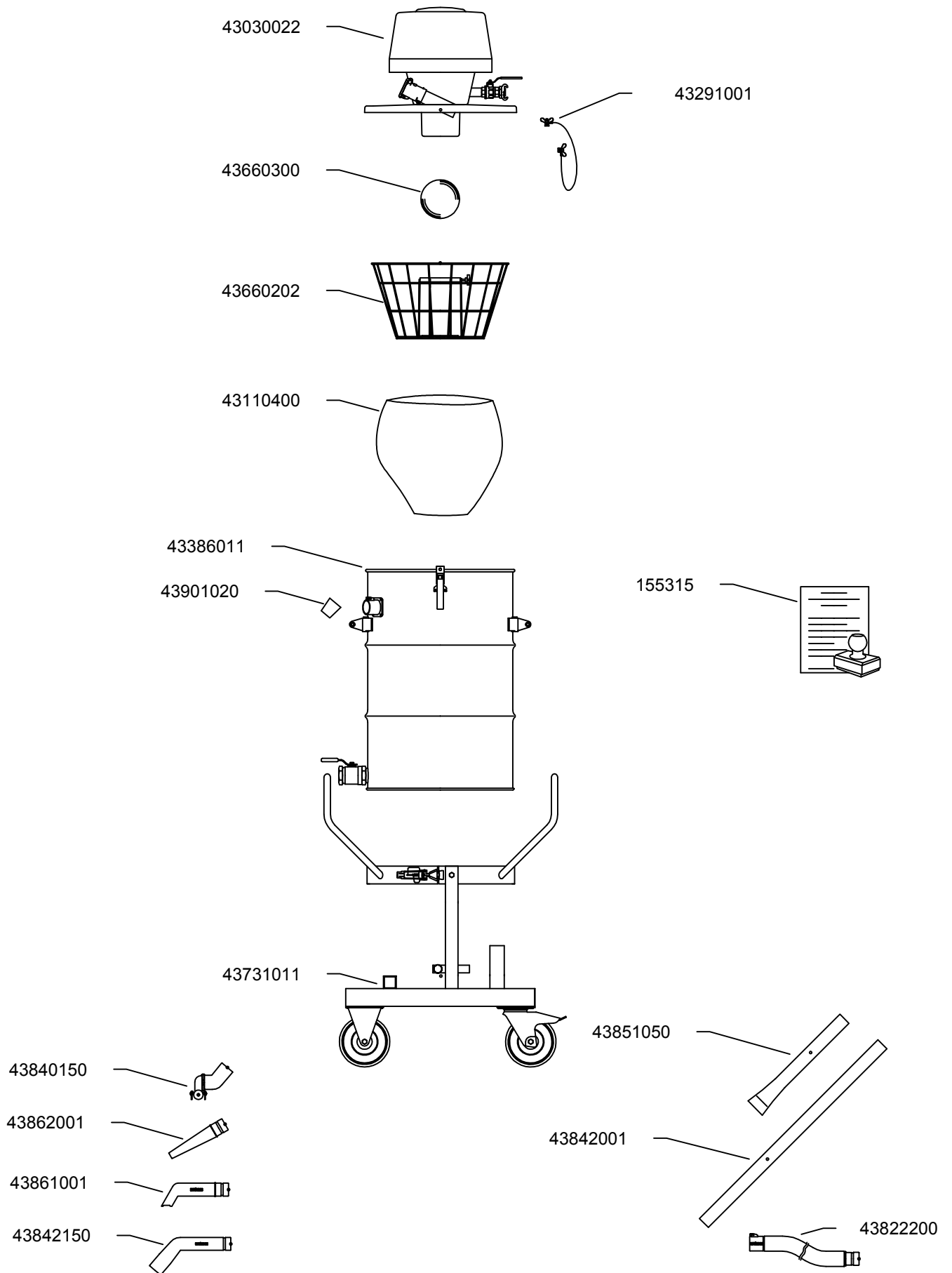
EN MODEL SPECIFICATION AND SPARE PARTS

Model Specification

Description: 510A EX - NE52, S200, ATEX Ex II 2 GD

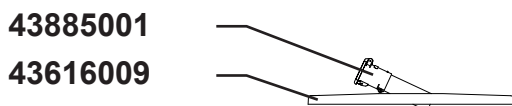
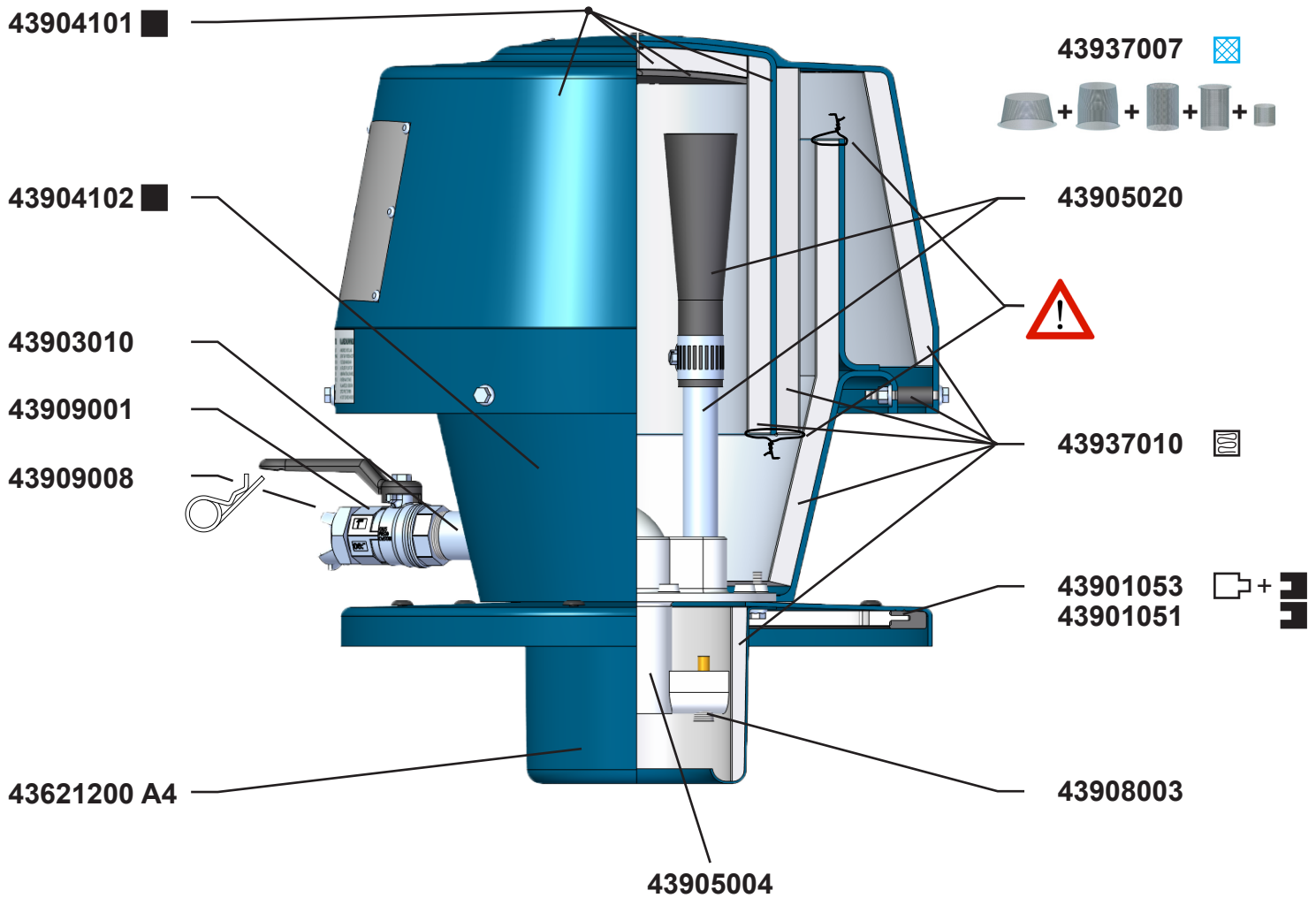
Model: 42251033

Code no.	Description	Qty.	Page
43030022	NE52, S200 anti, A4 w/hooks, inlet	1	4
43110400	Filter bag S200 antistatic	1	-
43291001	Earthingkit	1	-
43386011	Container S200 A4 inlet D51	1	5
43660202	Basket S200 galvanized	1	6
43660300	Float ball S50/200	1	-
43731011	Trolley tippable S200 Antistatic	1	7
43822200	Hose PVC-51 L=10m incl couplings	1	8
43840150	Floor suct head d51/500	1	-
43842001	Suction pipe d51 PEHD-el 1m	1	-
43842150	Pipe bend d51 antistatic	1	-
43851050	Scraping tool d51 L=500	1	-
43861001	Hand suct head d51 toothed	1	-
43862001	Conical nozzle d51	1	-
43901020	Rubber plug d50 NS45	1	-
155315	Test protocol Ab510Ex 422510XX	1	-





MAX 8 bar



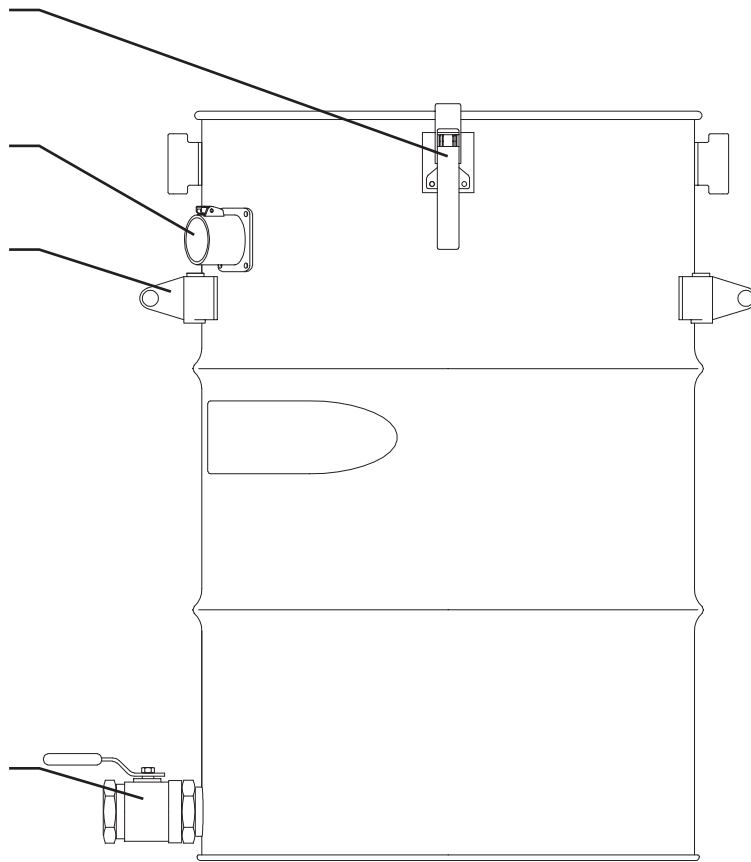


43999021

43999003

43999533 

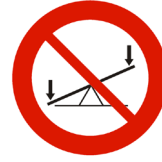
43909103 A4





43908004





43999014

43907108



43907107



