

Air driven ATEX series

216A EX - NE52, S50, ATEX Ex II 2GD

42221614

Original manual

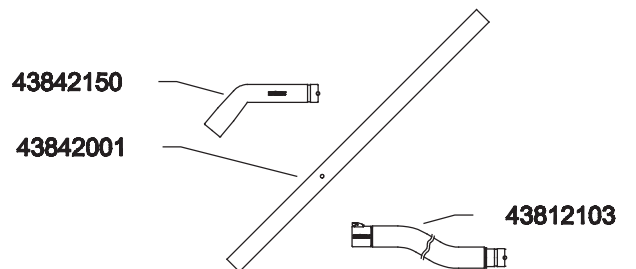
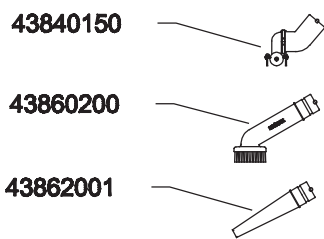
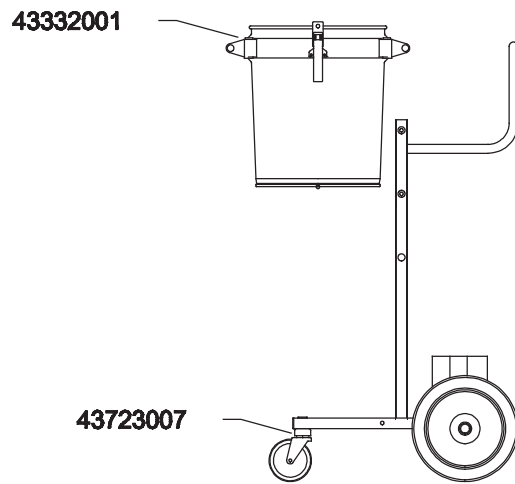
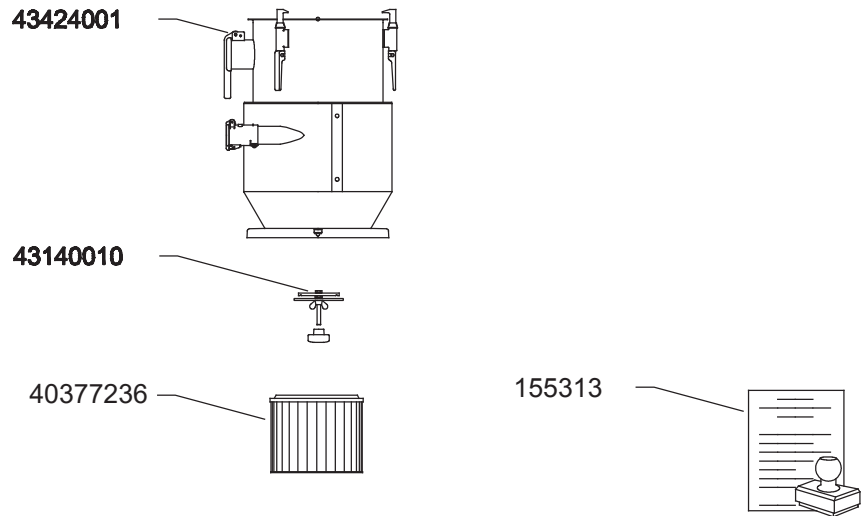
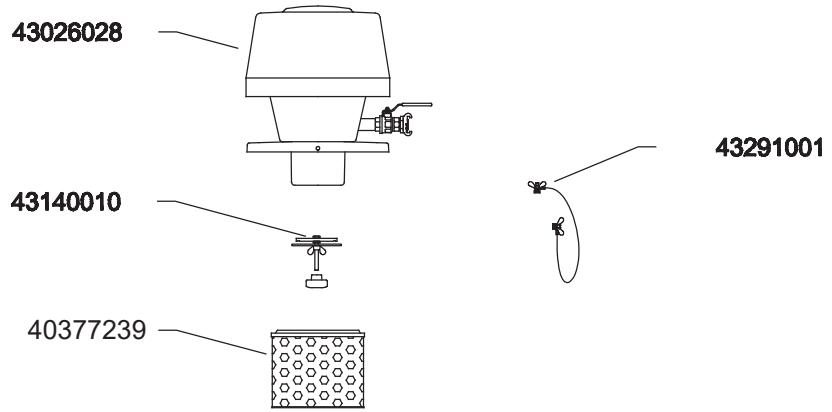
EN MODEL SPECIFICATION AND SPARE PARTS

Model Specification

Description: 216A EX - NE52, S50, ATEX Ex II 2GD

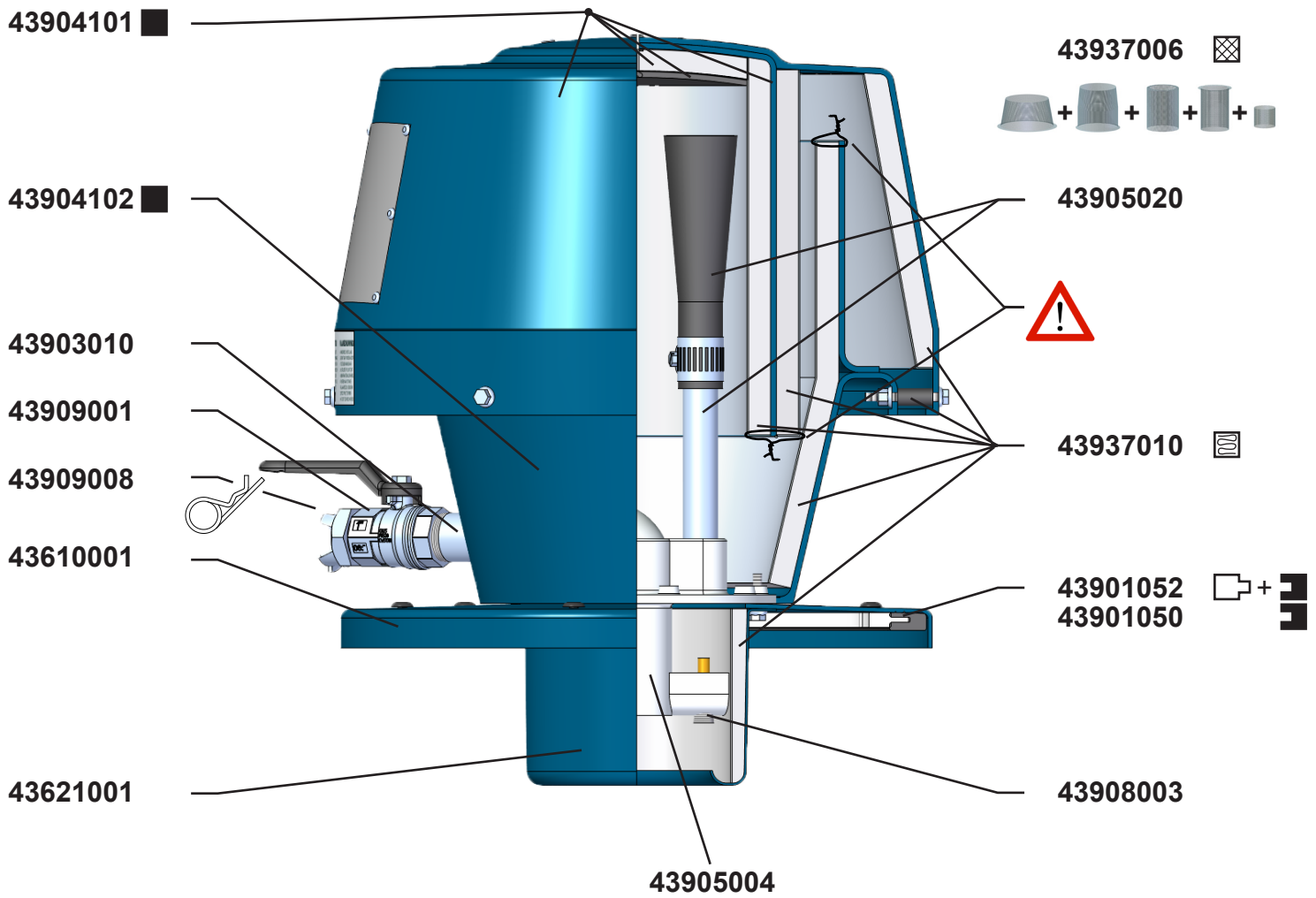
Model: 42221614

Code no.	Description	Qty.	Page
43026028	NE52, S50 antistatic	1	4
43291001	Earthingkit	1	-
43140010	Clamp f/cartr.filter M10 L=90 El-Zn	2	-
40377239	Absolute filter L=220 A=1.56m ² w/pe	1	-
43332001	Container S50 47l w/ecc fastners	1	5
43424001	Silo S50 w/rev air clean d51	1	6
40377236	Cartridge filter L=220 A=2.38m ²	1	-
43723007	Trolley S50 f/silo	1	7
43840150	Floor suct head d51/500	1	8
43860200	Brush nozzle d51 soft	1	-
43862001	Conical nozzle d51	1	-
43842150	Pipe bend d51 antistatic	1	-
43842001	Suction pipe d51 PEHD-el 1m	1	-
43812103	Hose PE/C-51 L=7,5m	1	-
155313	Test protocol Ab216Ex 422216XX	1	-





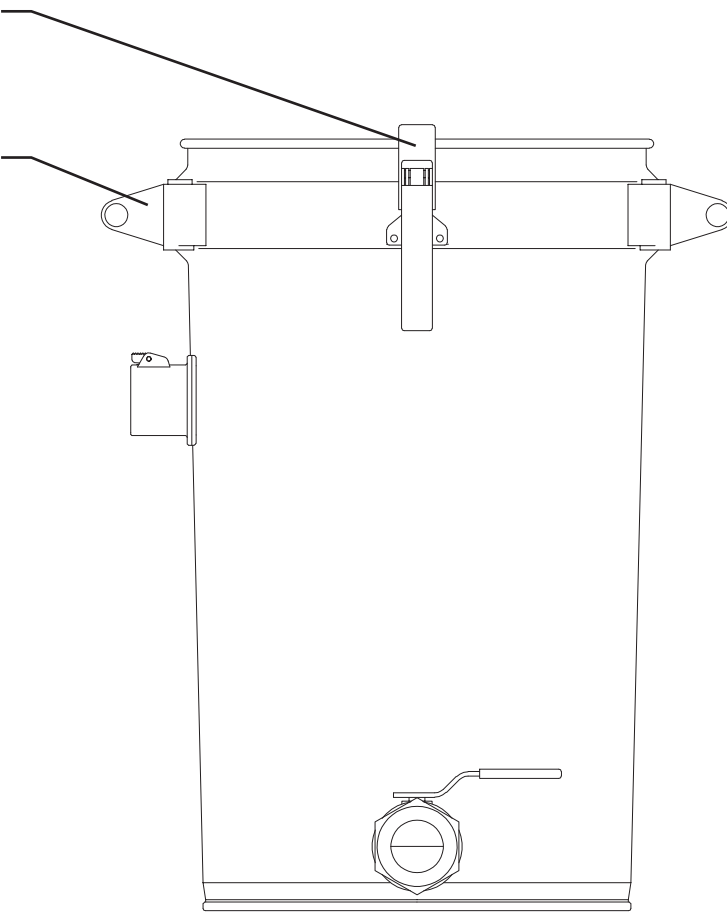
MAX 8 bar





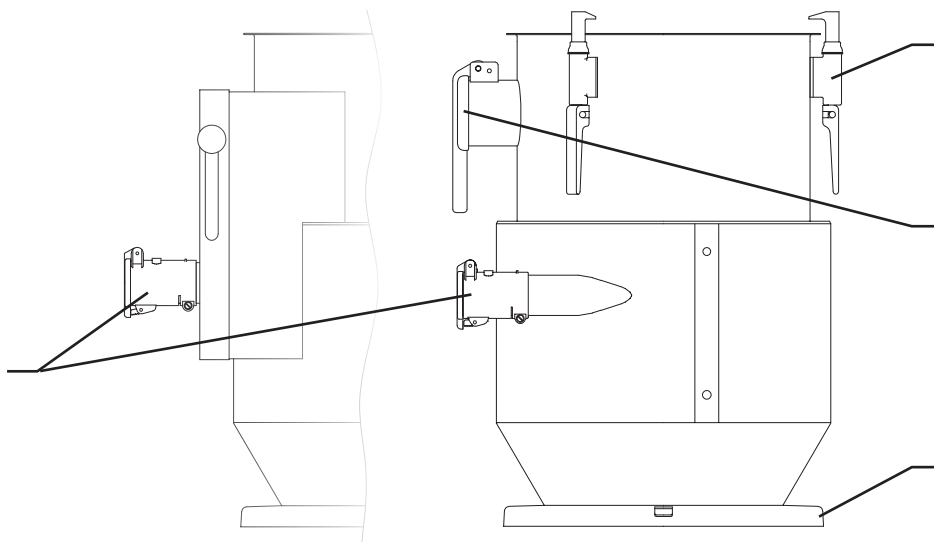
43999021

43999531





43885001



43999012

43999028

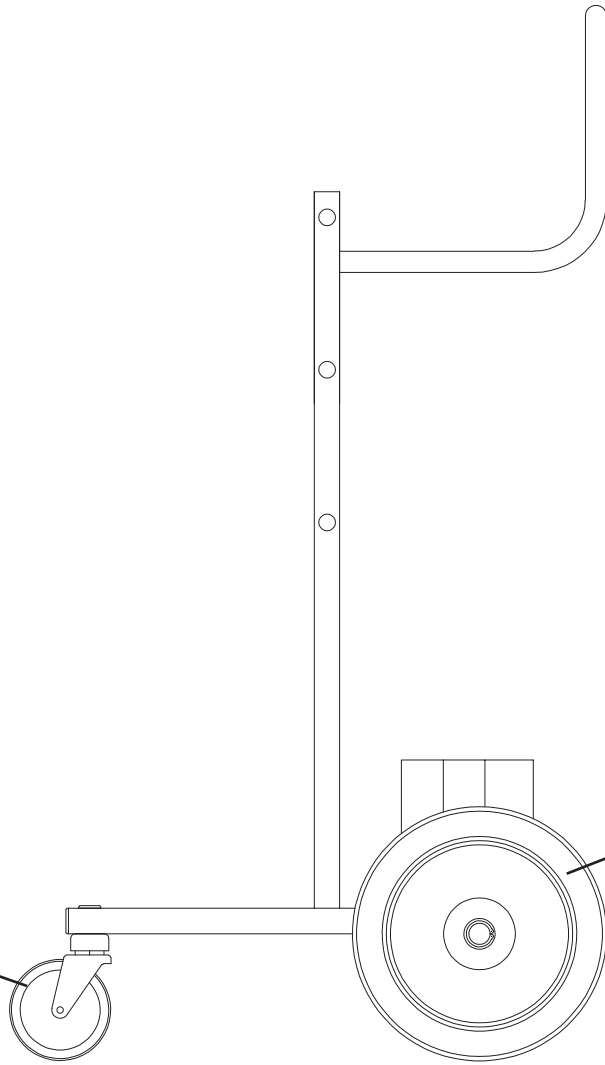
43901052

43901050





43907104 



43907015 

