

Air driven series

218A - NE42, S50

42121801

Original manual

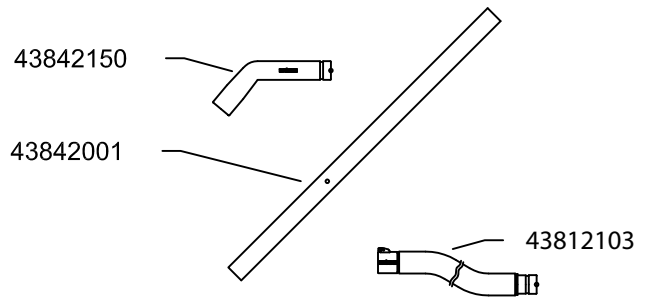
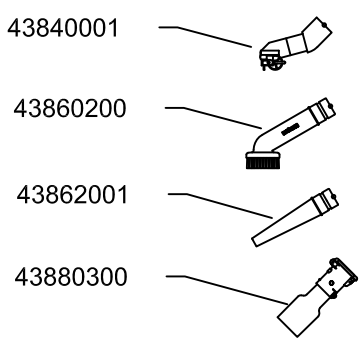
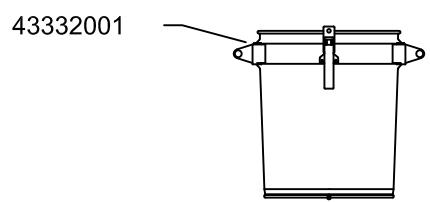
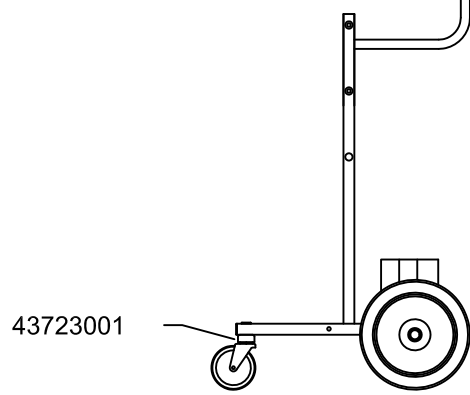
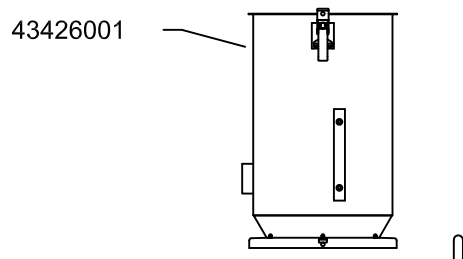
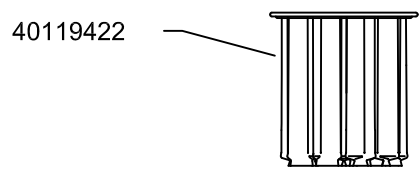
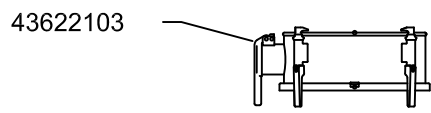
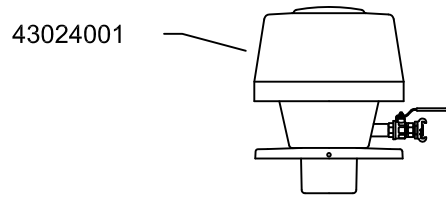
EN MODEL SPECIFICATION AND SPARE PARTS

Model Specification

Description: 218A - NE42, S50

Model: 42121801

Code no.	Description	Qty.	Page
40119422	Filter pack P30 s/n 13610-	1	-
43024001	NE42, S50	1	4
43332001	Container S50 47l w/ecc fastners	1	5
43426001	SiloS50f/filterpackD76conicalInlet	1	6
43622103	Adapter S50 f/filtercleaning, speci	1	7
43723001	Trolley S50 f/silo	1	8
43812103	Hose PE/C-51 L=7,5m	1	-
43840001	Floor suct head d51/450	1	9
43842001	Suction pipe d51 PEHD-el	1	-
43842150	Pipe bend d51 antistatic	1	-
43860200	Brush nozzle d51 soft	1	-
43862001	Conical nozzle d51	1	-
43880300	Reducer conical d76-51	1	-

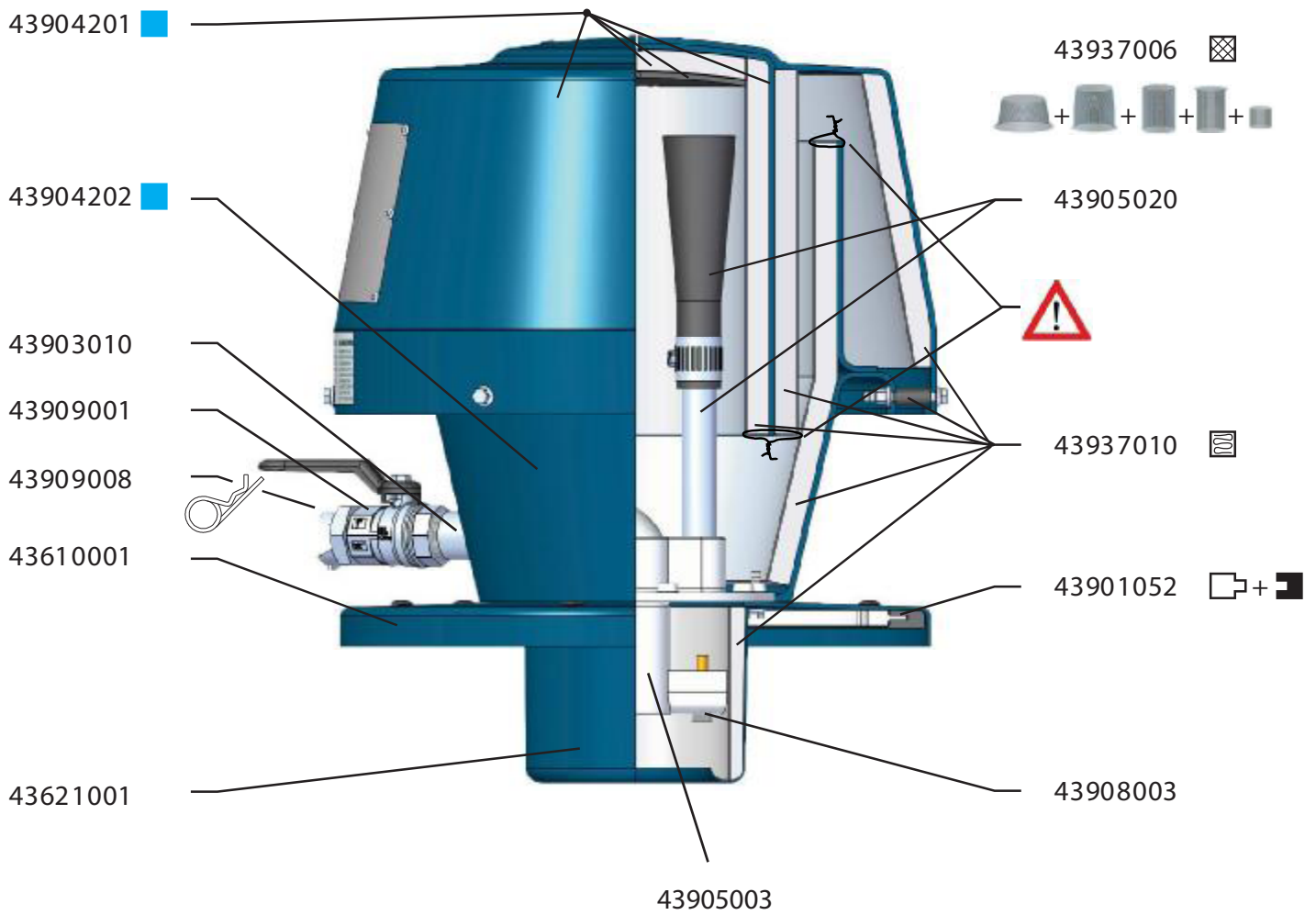




MAX 8 bar



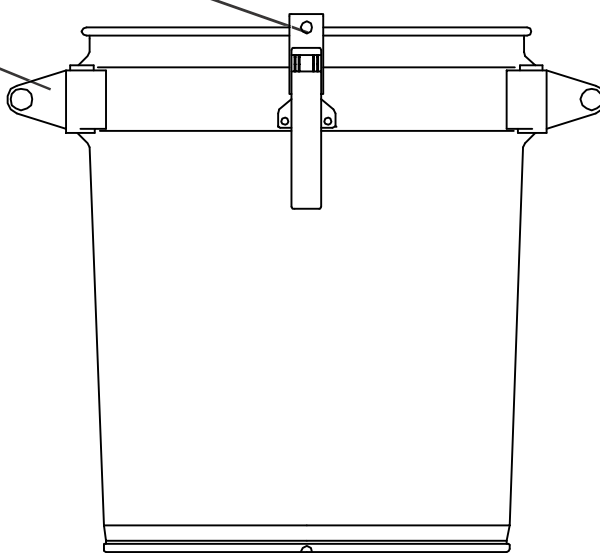
S 235JR (St37.2)

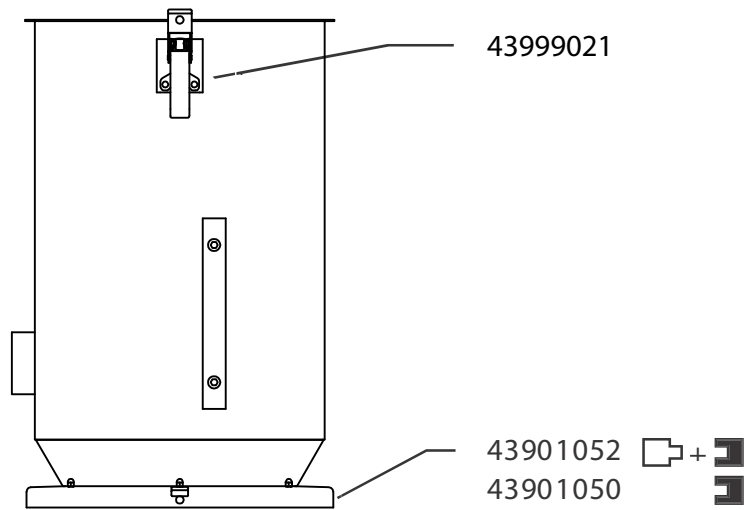




43999021

43999531







S 235JR (St37.2)

