

Air driven series

**216A - NE74, S50**

42121628

---

**Original manual**

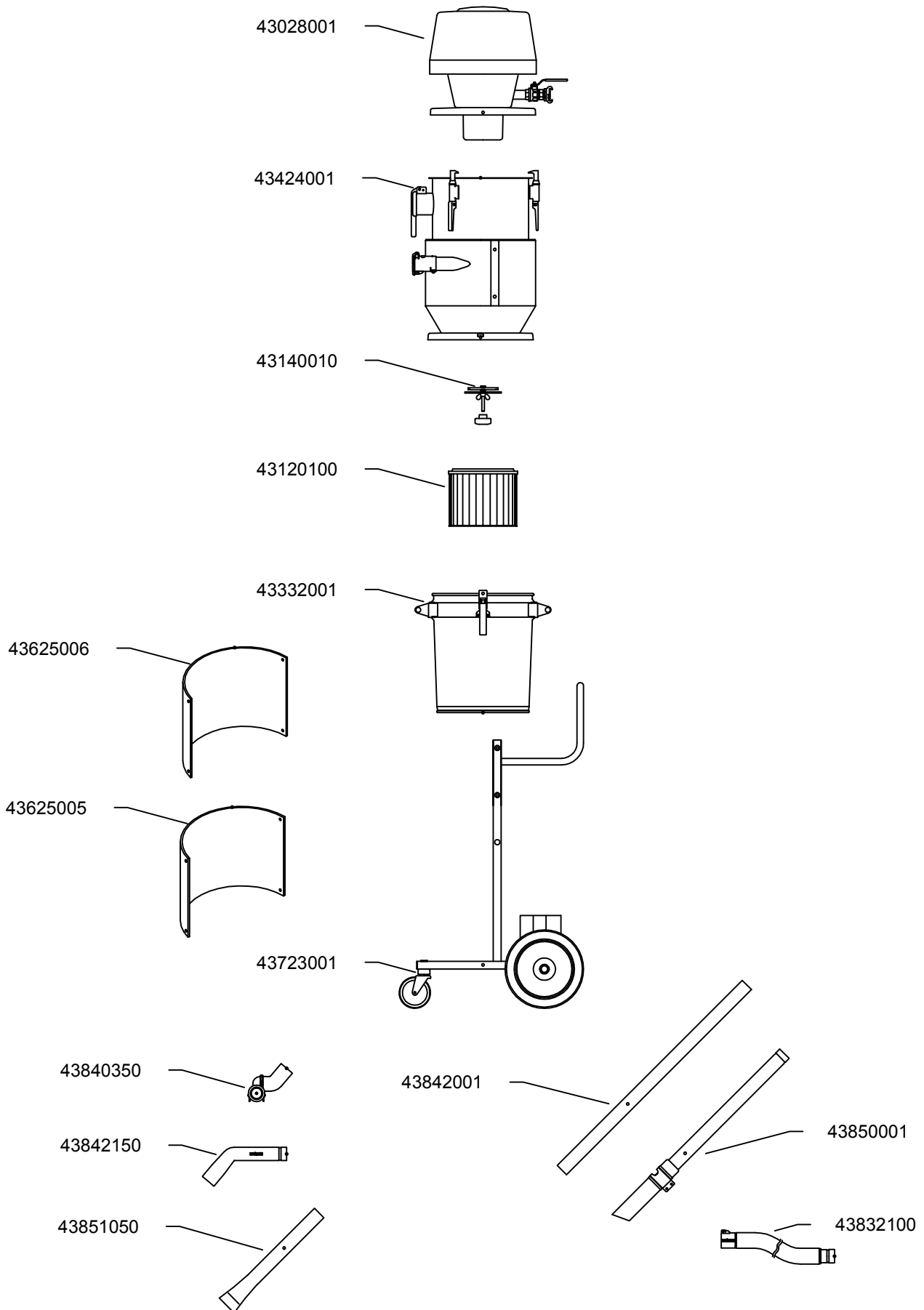
EN MODEL SPECIFICATION AND SPARE PARTS

## Model Specification

**Description:** 216A – NE74, S50

**Model:** 42121628

Code no.	Description	Qty.	Page
43028001	NE74, S50	1	4
43120100	Cartridge filter L=220 A=2.38m <sup>2</sup>	1	-
43140010	Clamp f/cartr.filter M10 L=90 El-Zn	1	-
43332001	Container S50 47l w/ecc fastners	1	5
43424001	Silo S50 w/rev air clean d51	1	6
43723001	Trolley S50 f/silo	1	7
43840350	Floor suct head d51/600/65	1	-
43850001	Gulper head d51	1	-
43851050	Scraping tool d51 L=500	1	-
43842001	Suction pipe d51 PEHD-el 1m	1	-
43842150	Pipe bend d51 antistatic	1	-
43832100	Hose PU d51 L=7,5m w couplings	1	-
43625006	Abrasion plate f/silo S50	1	-
43625005	Abrasion plate f/silo S50	1	-





MAX 8 bar



43904201 ■

43904202 ■

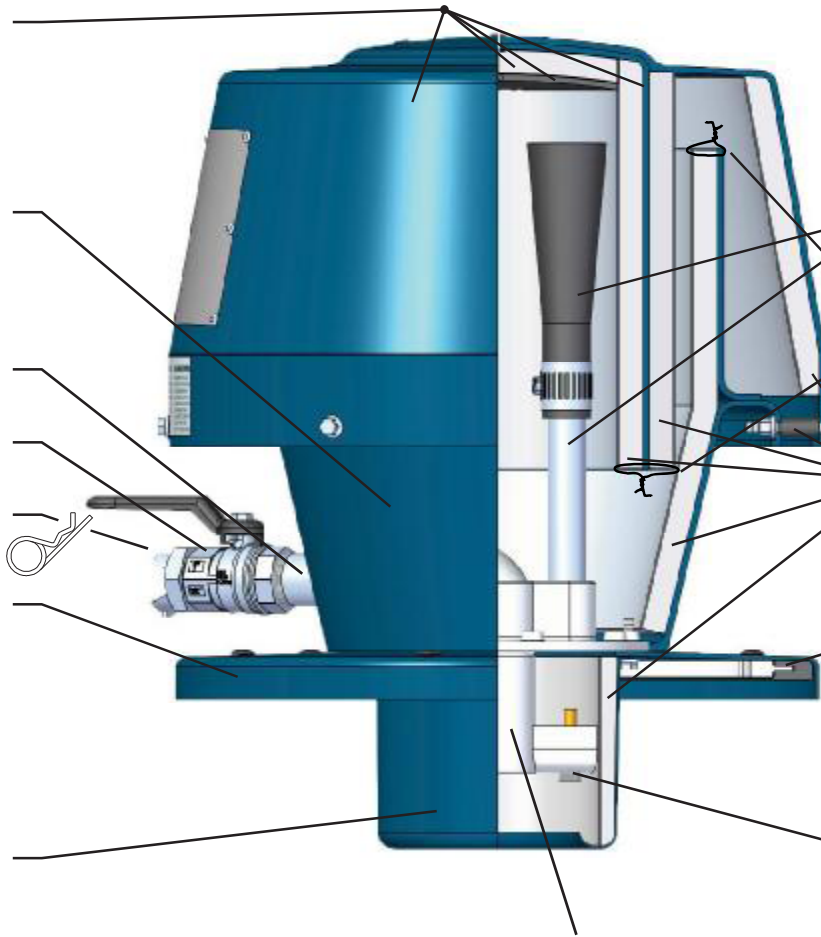
43903010

43909001

43909008

43610001

43621001



43937006 ☒



43905020



43937010 ☒

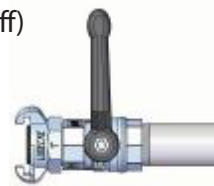
43901052 +  
43901050



43908003

43905008

0 (Off)



1 (On)



