

Air driven series

306A - NE32, S50

42130602

Original manual

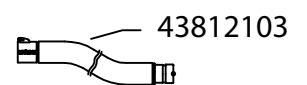
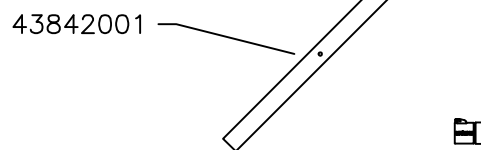
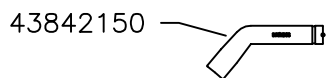
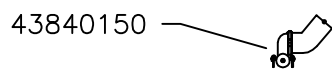
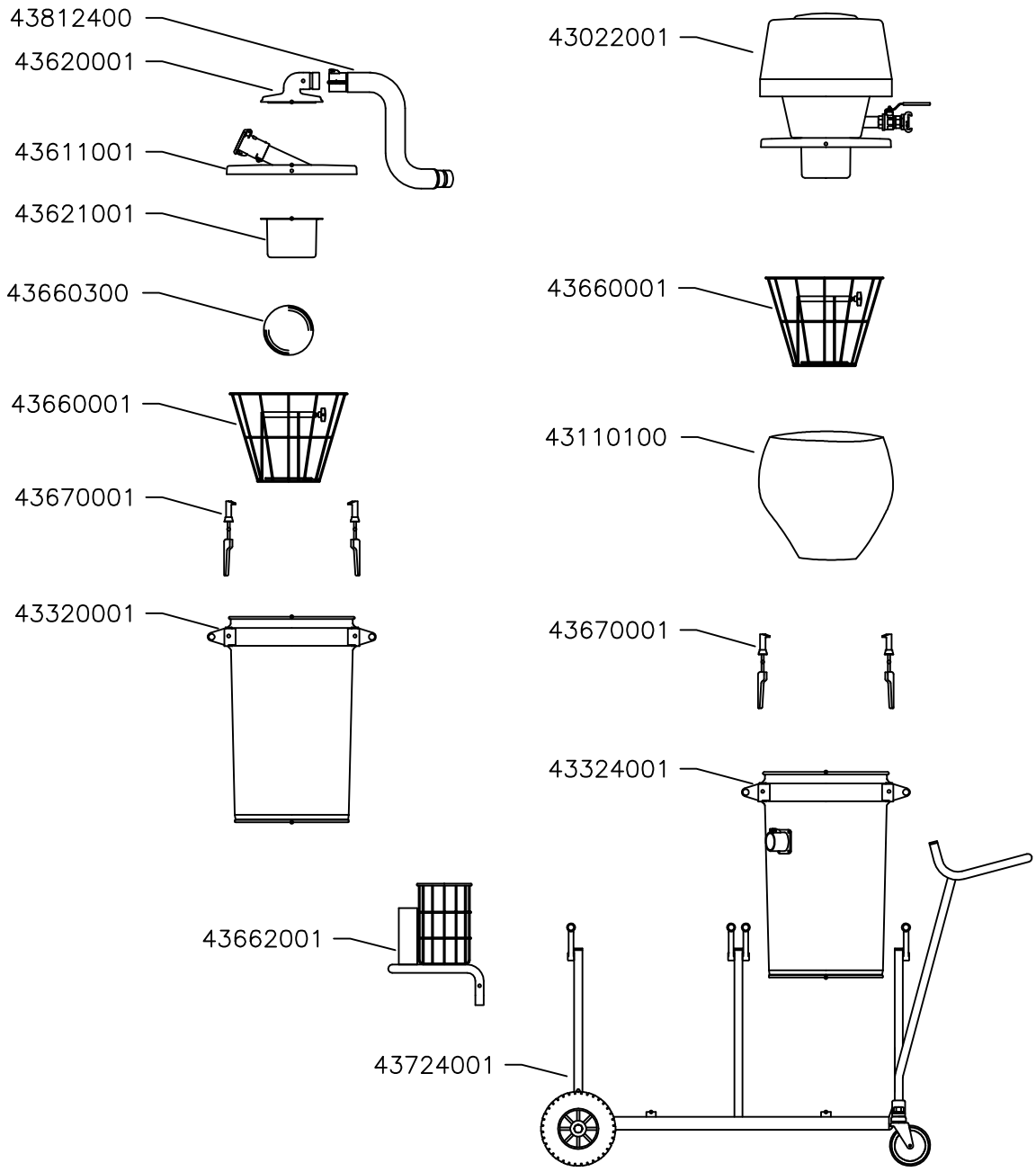
EN MODEL SPECIFICATION AND SPARE PARTS

Model Specification

Description: 306A – NE32, S50

Model: 42130602

Code no.	Description	Qty.	Page
43022001	NE32, S50	1	4
43110100	Filter bag S50	1	-
43320001	Container S50	1	5
43324001	Container S50 2 cont. comb.	1	6
43620001	Suction outlet w/flange d51	1	7
43670001	Fastener complete	2	-
43660001	Basket S50	2	8
43660300	Float ball S50/200	1	-
43662001	Accessory basket S50	1	-
43724001	Trolley double S50 tippable	1	9
43611001	Lid S50 w/inlet d51	1	-
43621001	Cup w/flange	1	-
43812400	Suction hose PE d51 L=0.75m	1	-
43812103	Hose PE/C-51 L=7,5m	1	-
43840150	Floor suct head d51/500	1	10
43842001	Suction pipe d51 PEHD-el 1m	1	-
43842150	Pipe bend d51 antistatic	1	-





MAX 8 bar



43904201 ■

43904202 ■

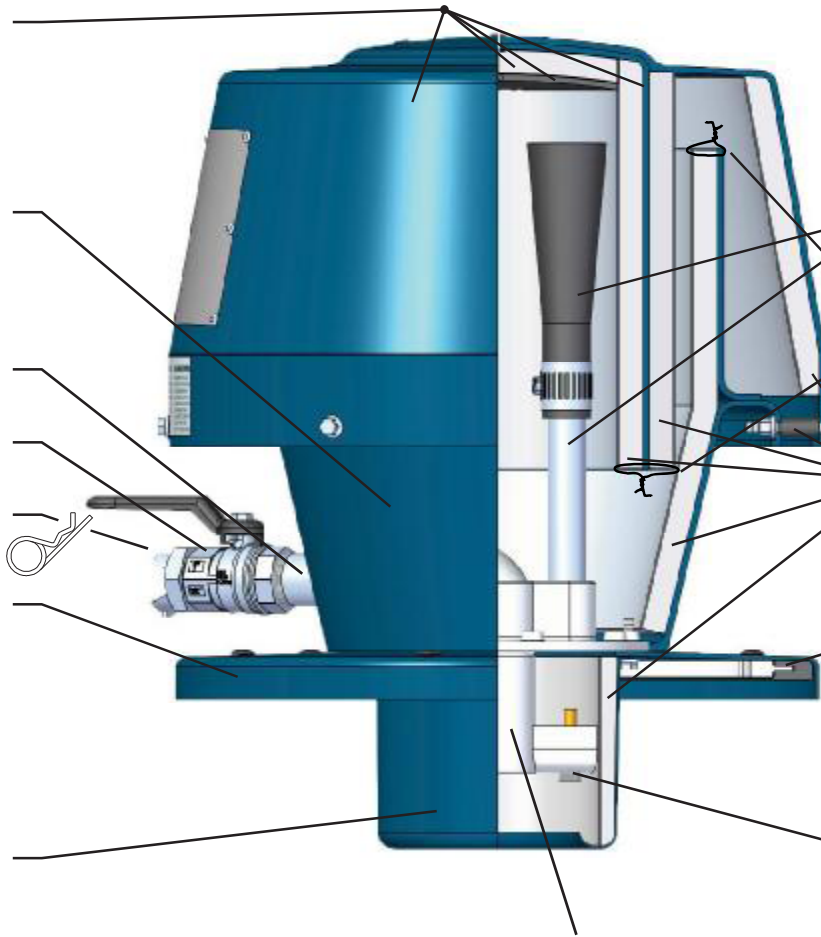
43903010

43909001

43909008

43610001

43621001



43937006 ☒



43905020



43937010 ☒

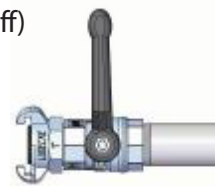
43901052 +
43901050



43908003

43905002

0 (Off)

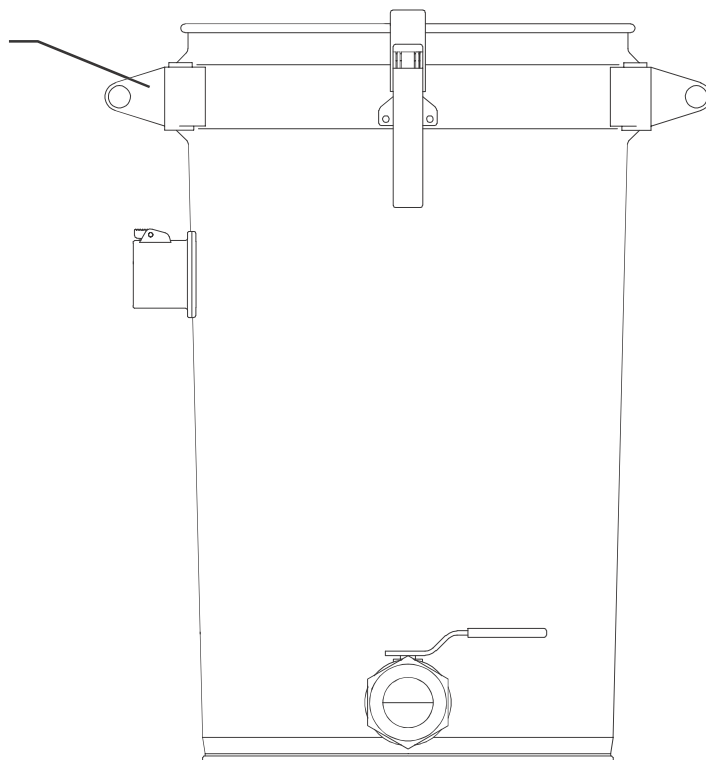


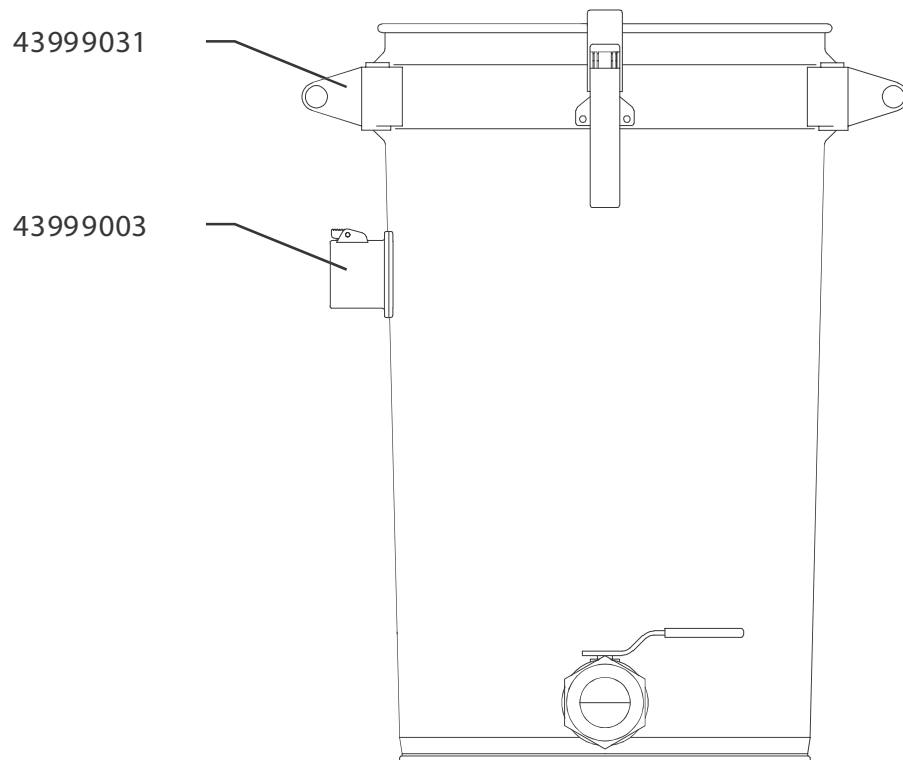
1 (On)

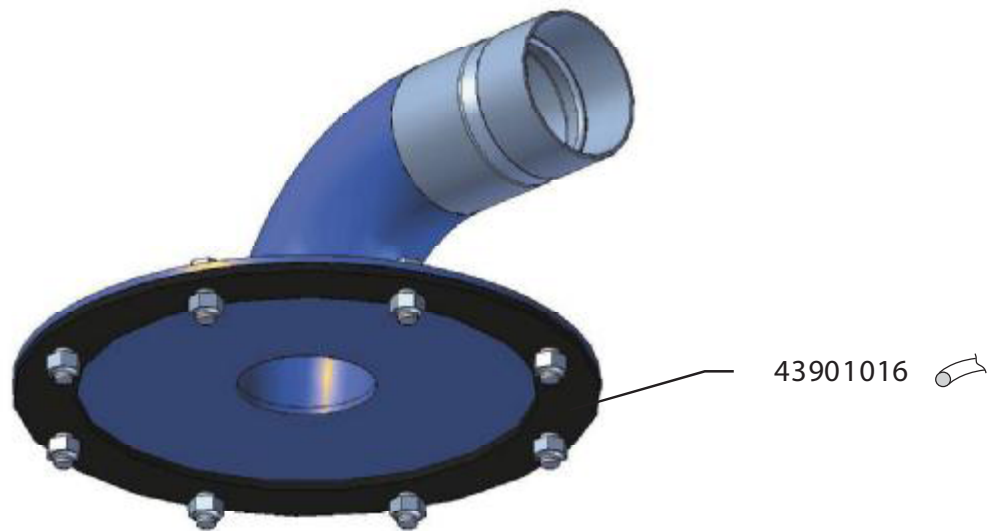




43999031





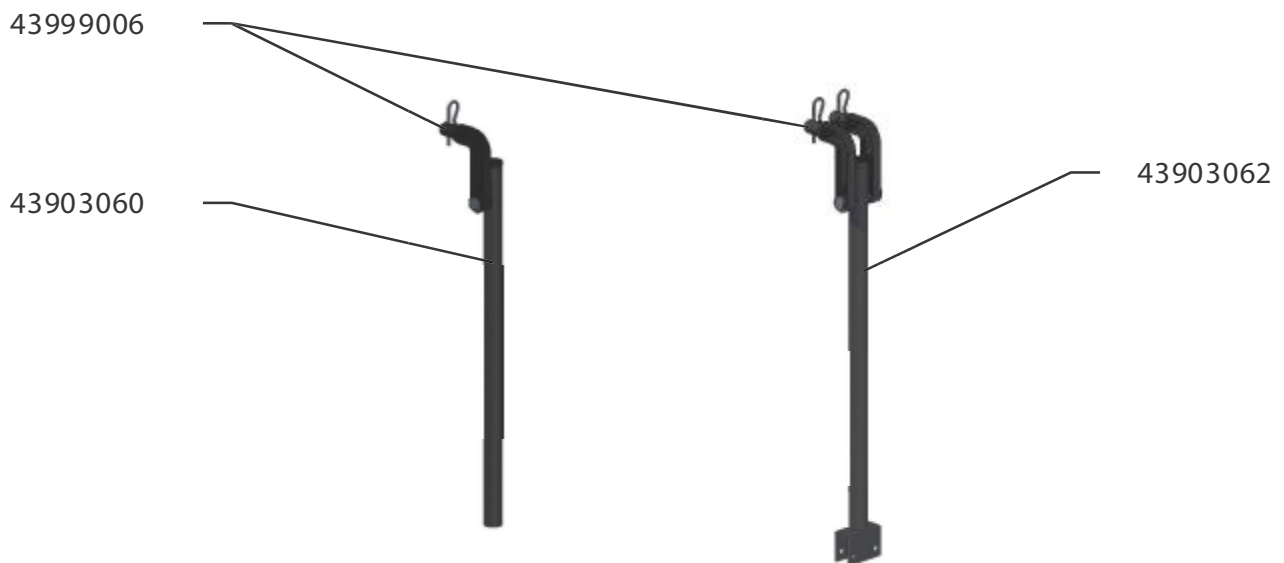




43908004



43660001



43724001

