

Air driven series

**426A - NE52, S50**

42142606

---

**Original manual**

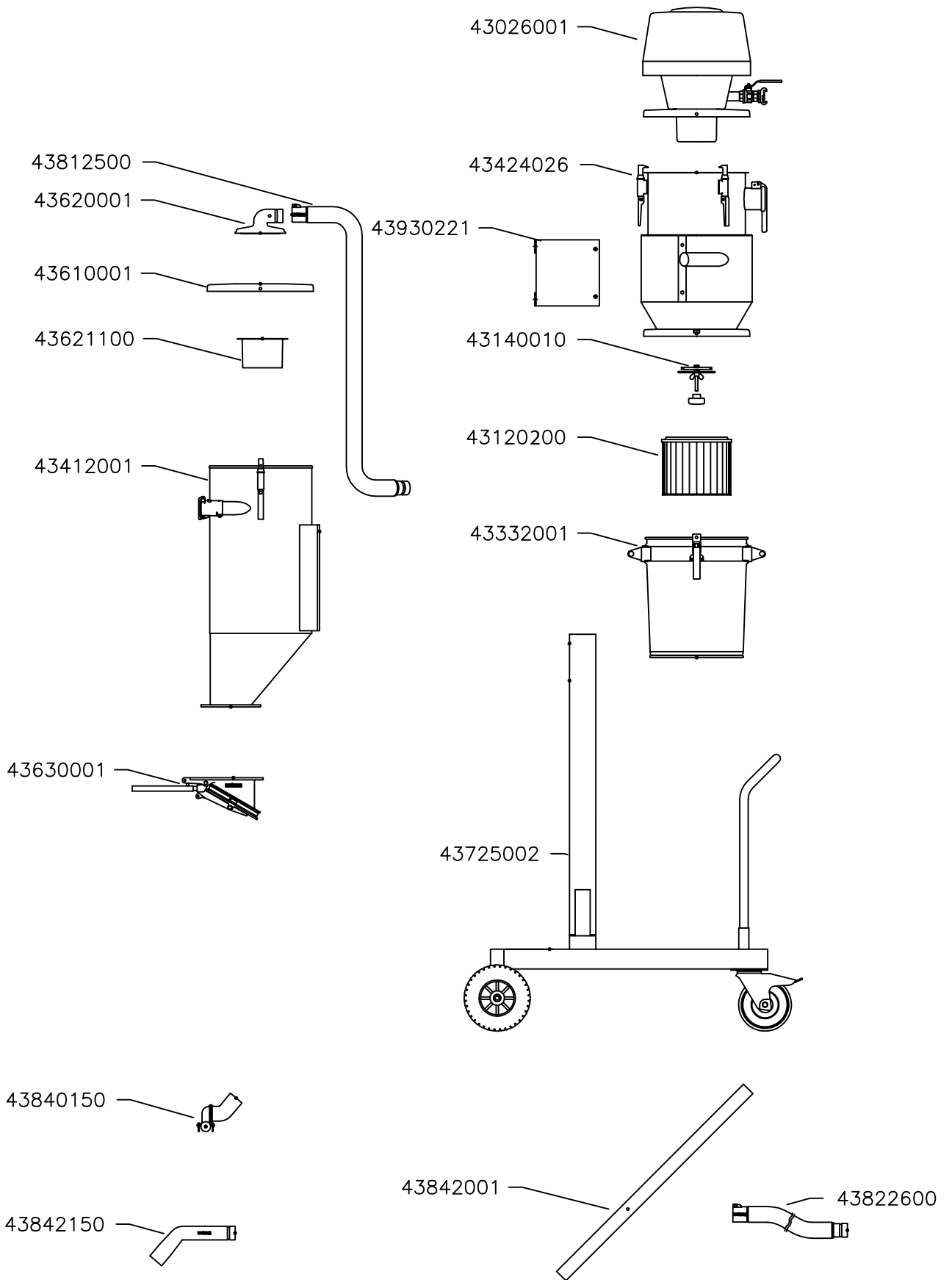
EN MODEL SPECIFICATION AND SPARE PARTS

## Model Specification

**Description:** 426A – NE52, S50

**Model:** 42142606

Code no.	Description	Qty.	Page
43026001	NE52, S50	1	4
43120200	Absolute filter L=220 A=1.56m <sup>2</sup>	1	-
43140010	Clamp f/cartr.filter M10 L=90 El-Zn	1	-
43332001	Container S50 47l w/ecc fastners	1	5
43412001	Silo S50 f/wall d51	1	6
43424026	Silo S50 w/rev.air clean	1	7
43610001	Lid S50	1	-
43620001	Suction outlet w/flange d51	1	8
43621100	Cup w/flange f/dry suct	1	-
43630001	Discharge valve manual	1	9
43725002	Mobile frame S50 wo/tip	1	10
43812500	Suction hose PE d51 L=1.35m	1	-
43822600	Hose PVC-51 L=7,5m incl couplings	1	-
43840150	Floor suct head d51/500	1	11
43842001	Suction pipe d51 PEHD-el 1m	1	-
43842150	Pipe bend d51 antistatic	1	-
43930221	Bracket S50 f/silo	1	-





MAX 8 bar



43904201 ■

43904202 ■

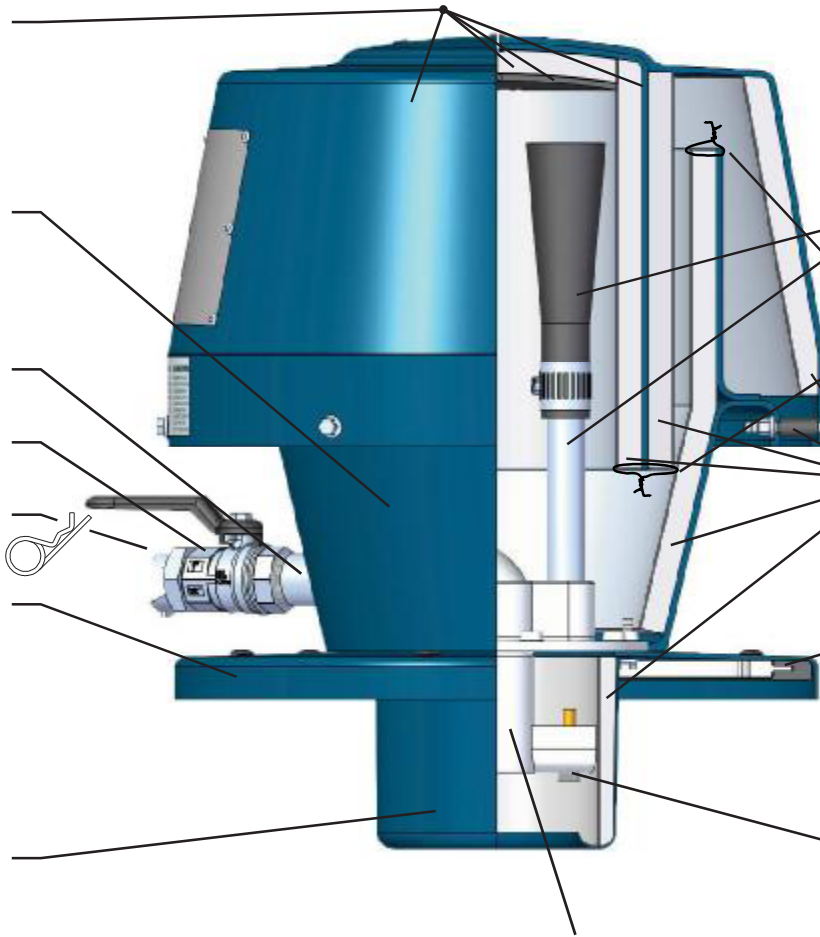
43903010

43909001

43909008

43610001

43621001



43937006 ☒



43905020

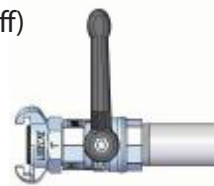


43937010 ☒

43901052 □ + ■  
43901050 ■

43905004

0 (Off)



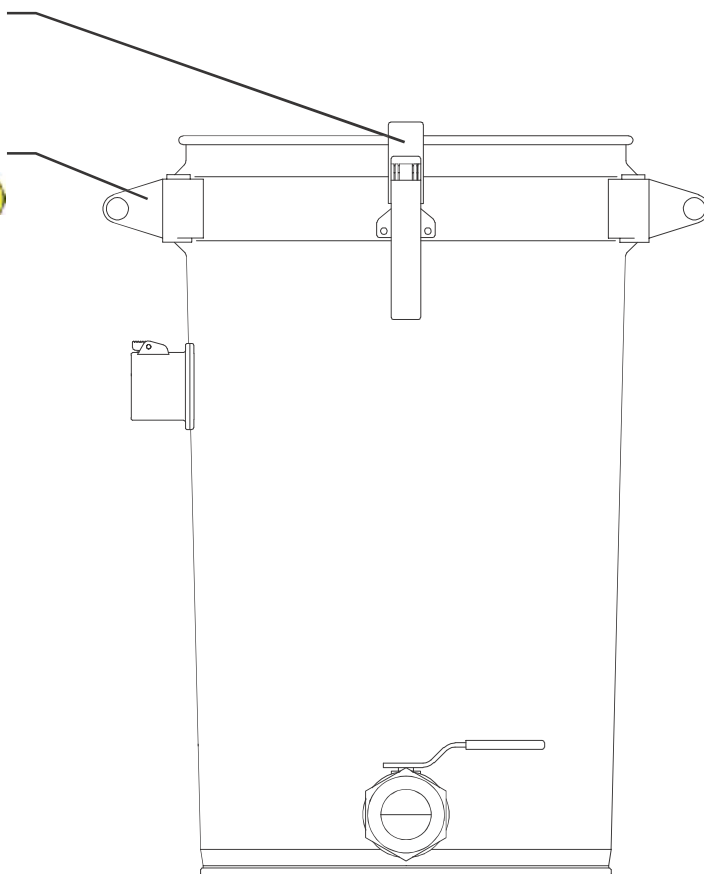
1 (On)





43999021

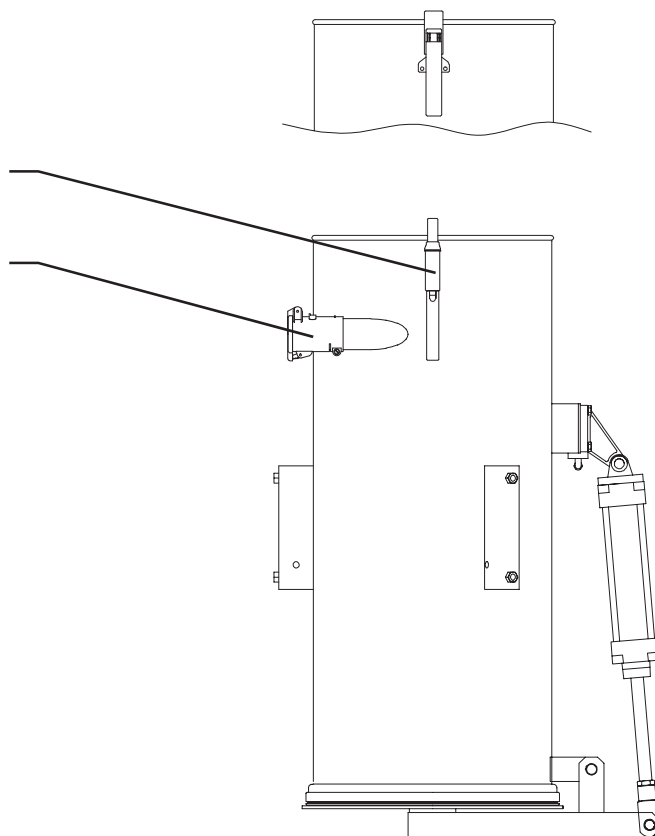
43999531





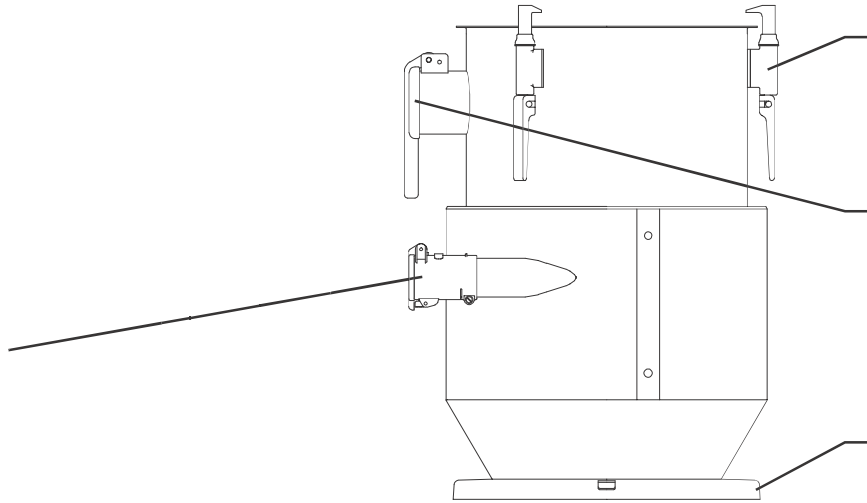
43999012

43885001





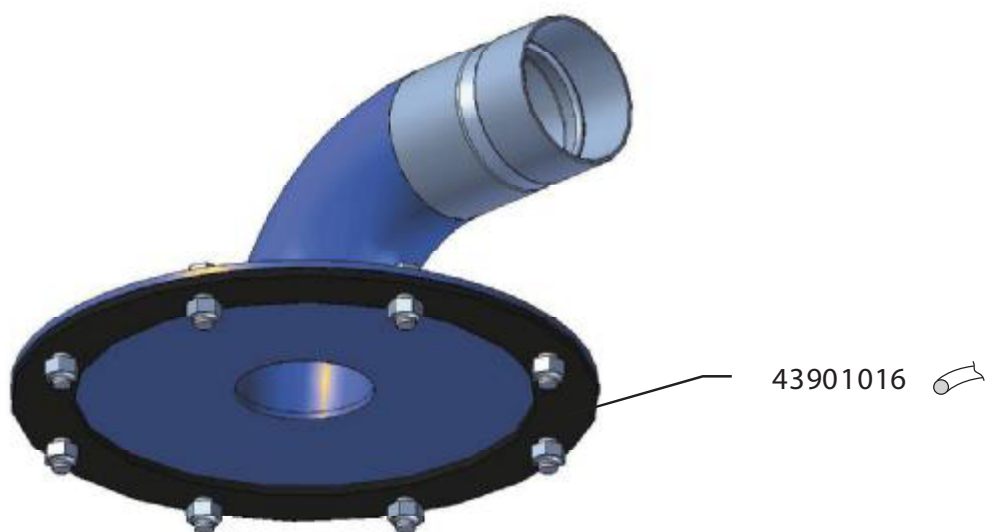
43885001



43999012

43999028

43901052  







MAX 1.5 bar

