

Air driven ATEX series

500A EX - NE52, S200, ATEX Ex II 2GD

42250016

Original manual

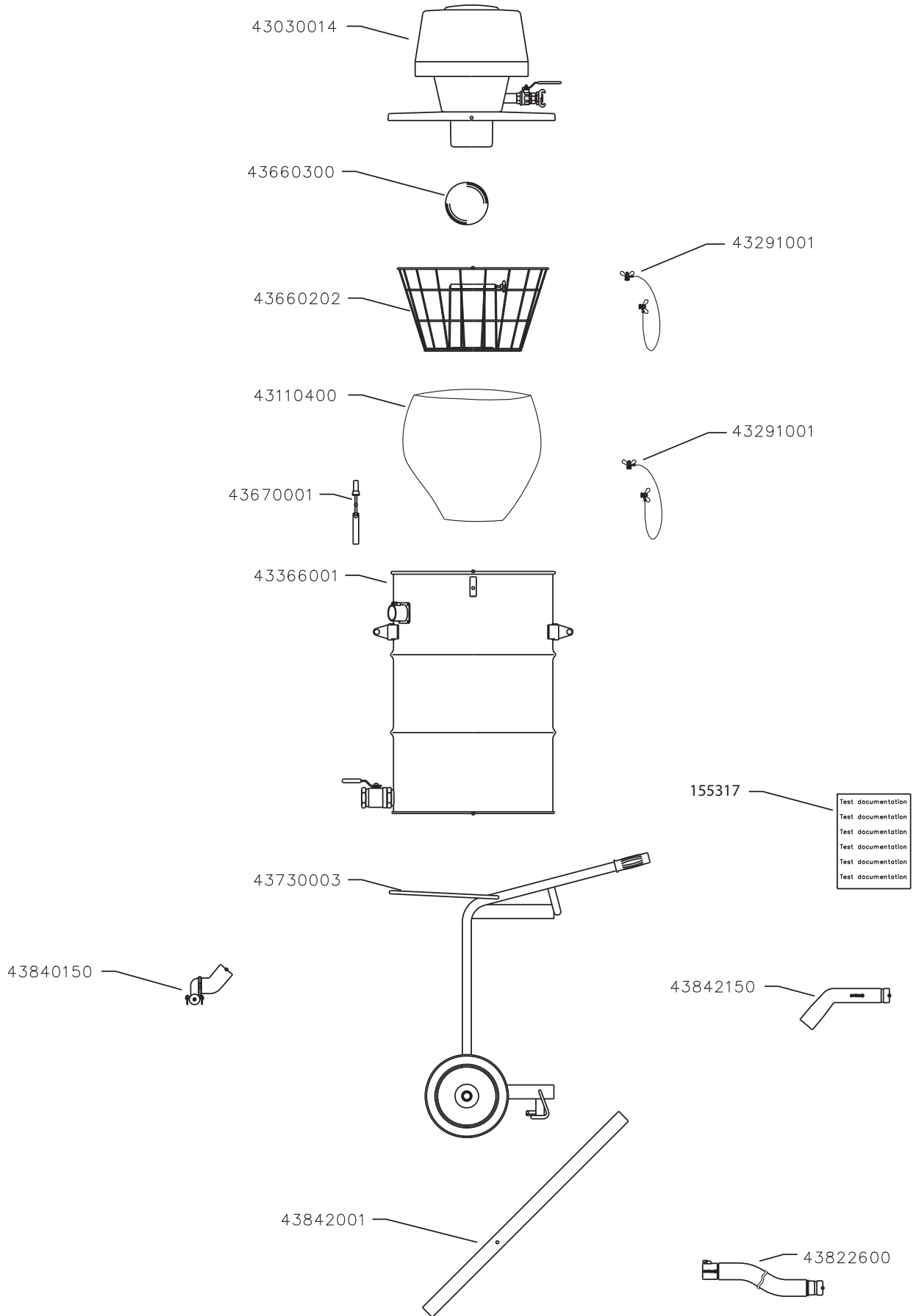
EN MODEL SPECIFICATION AND SPARE PARTS

Model Specification

Description: 500A EX – NE52, S200, ATEX Ex II 2GD

Model: 42250016

Code no.	Description	Qty.	Page
43030014	NE52, S200 antistatic	1	4
43110400	Filter bag S200 antistatic	1	-
43291001	Earthingkit	2	-
43366001	Container S200 inlet d51	1	6
43670001	Fastener complete	1	-
43660300	Float ball S50/200	1	-
43730003	Trolley S200 w/2 wheels Antistatic	1	7
43660202	Basket S200 galvanized	1	8
43840150	Floor suct head d51/500	1	9
43842001	Suction pipe d51 PEHD-el 1m	1	-
43842150	Pipe bend d51 antistatic	1	-
43822600	Hose PVC-51 L=7,5m incl couplings	1	-
155317	Test protocol	1	-





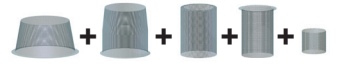
MAX 8 bar



43904101 ■

43937006 ☒

43904102 ■



43905020

43903010



43909001

43937010 ☒

43909008



43615001

43901053 □ + ■

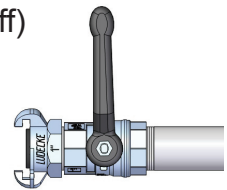
43901051 ■

43621001

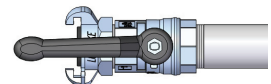
43908003

43905004

0 (Off)

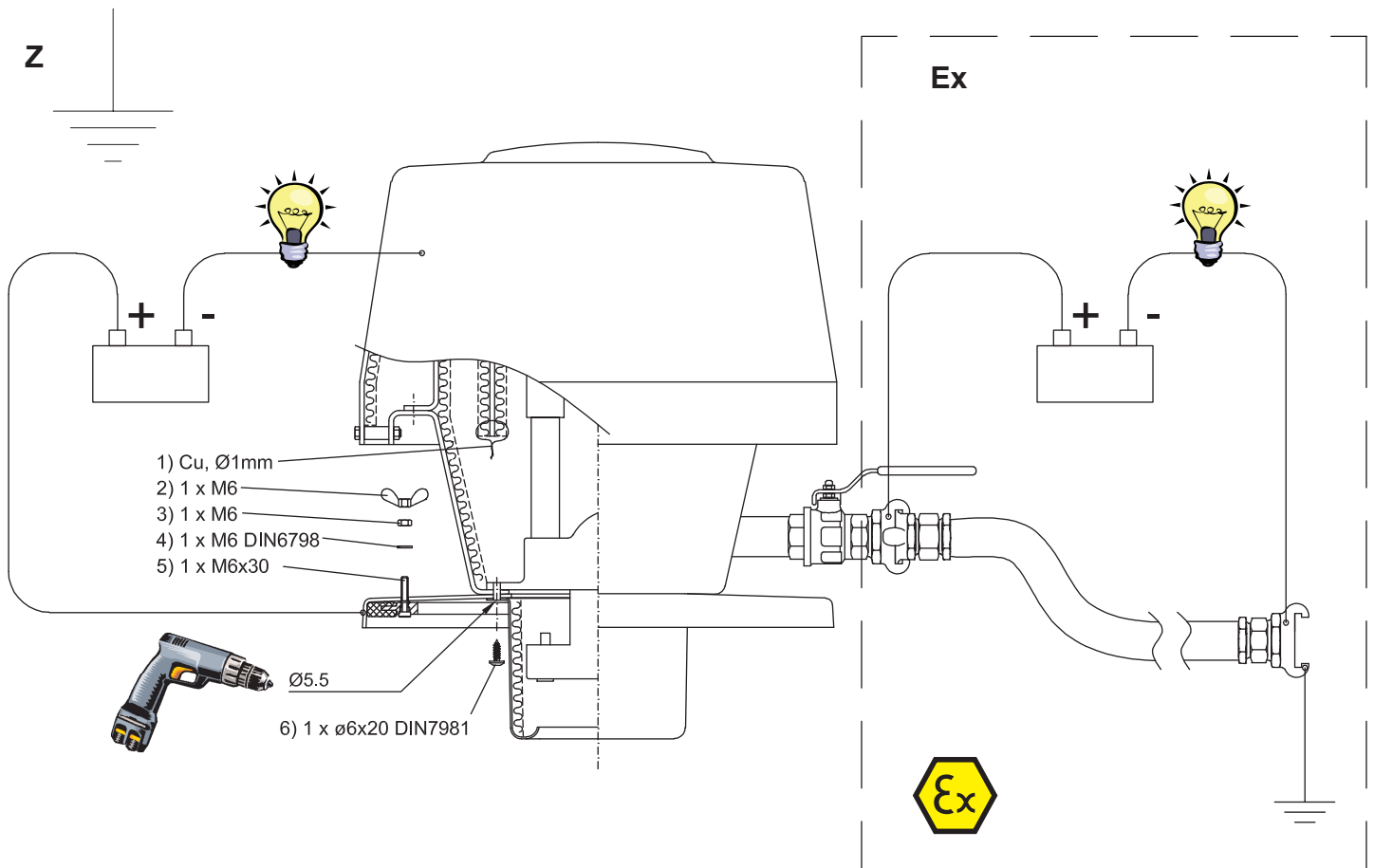


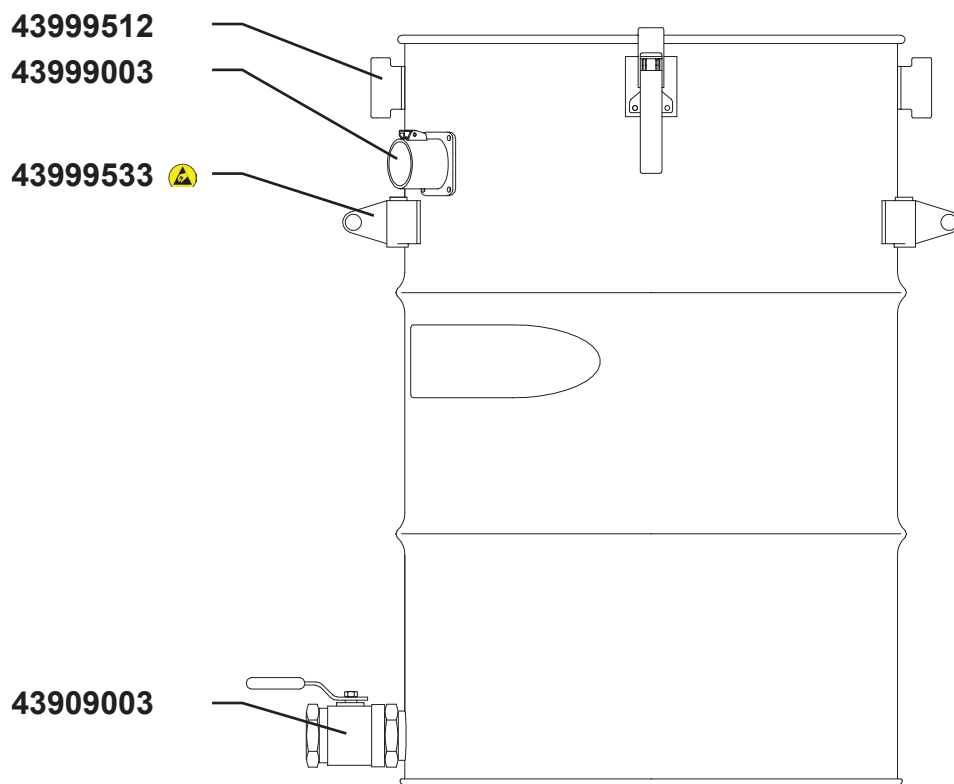
1 (On)

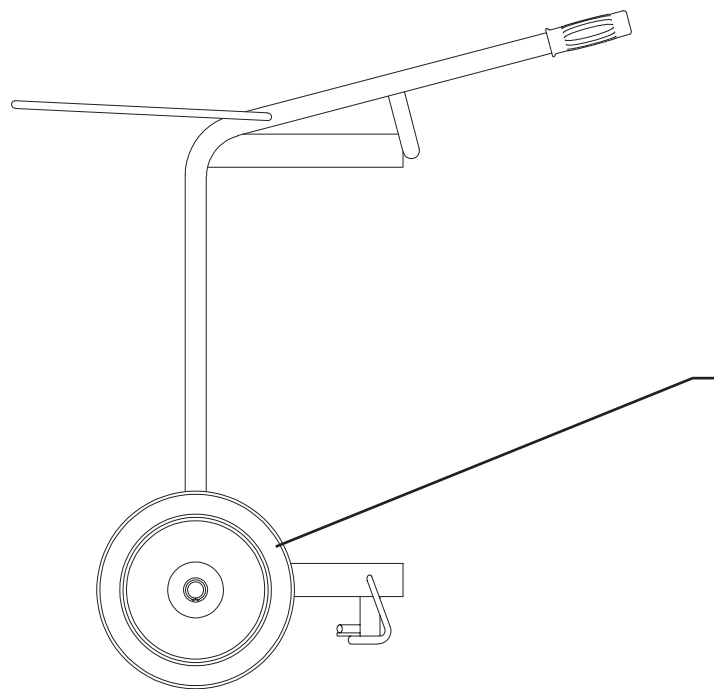
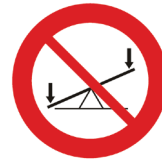




MAX 8 bar







43907015 



43908004



43660202

