

Air driven series

216A - NE52, S50 wo/accessories

42121683

Original manual

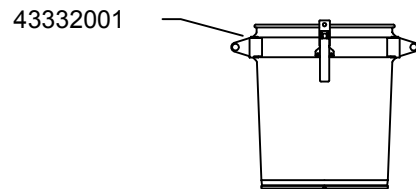
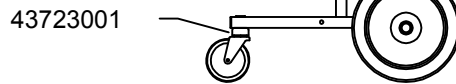
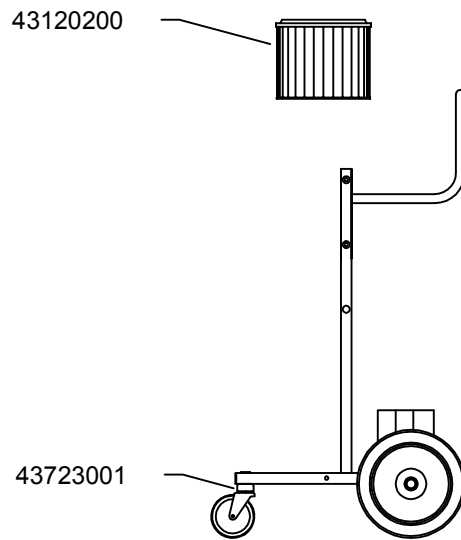
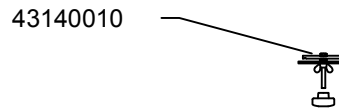
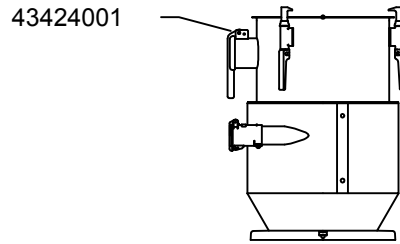
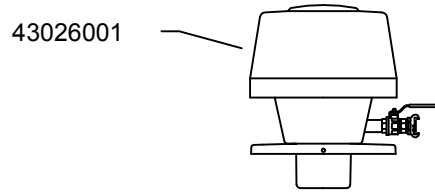
EN MODEL SPECIFICATION AND SPARE PARTS

Model Specification

Description: 216A - NE52, S50 wo/accessories

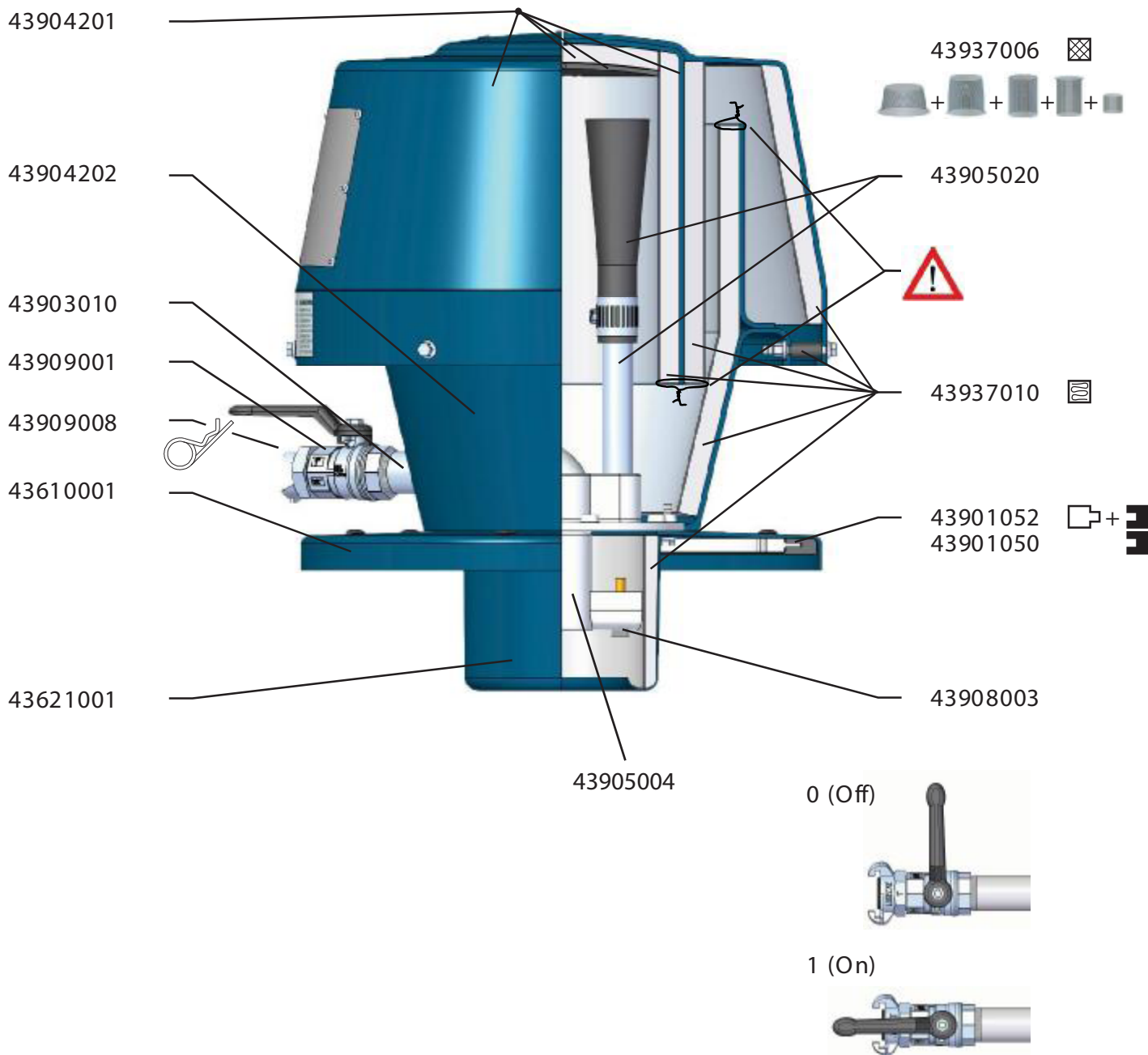
Model: 42121683

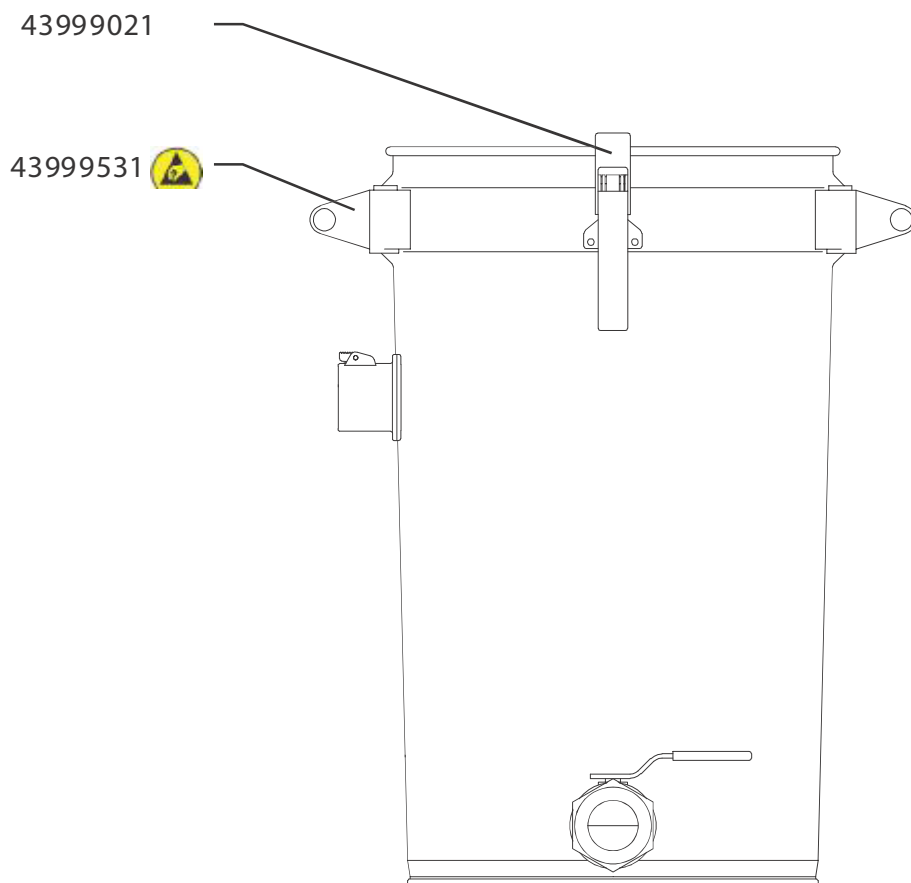
Code no.	Description	Qty.	Page
43026001	NE52, S50	1	4
43120200	Absolute filter L=220 A=1.56m ²	1	-
43140010	Clamp f/cartr.filter M10 L=90 El-Zn	1	-
43332001	Container S50 47l w/ecc fastners	1	5
43424001	Silo S50 w/rev air clean d51	1	6
43723001	Trolley S50 f/silo	1	7





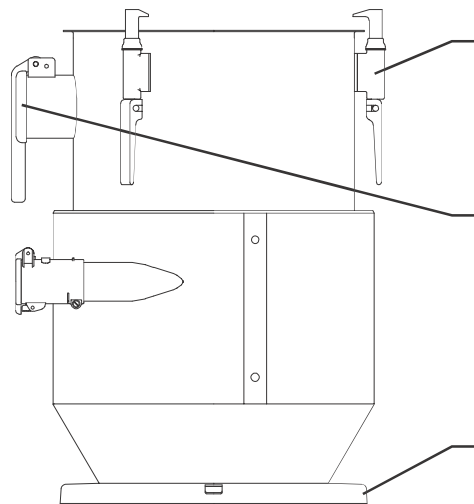
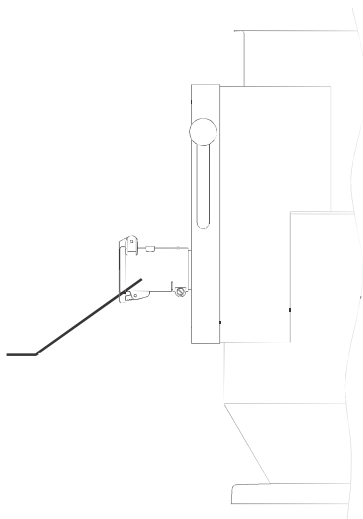
MAX 8 bar







43885001



43999012

43999028

43901052



