

Air driven series

216A - NE74, S50 wo/accessories

42121684

Original manual

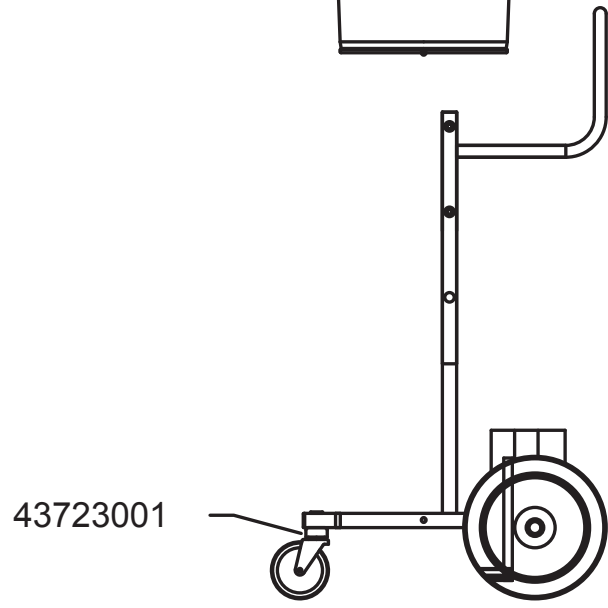
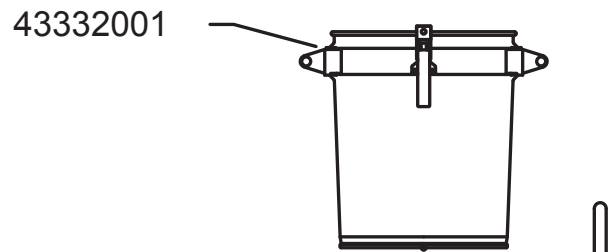
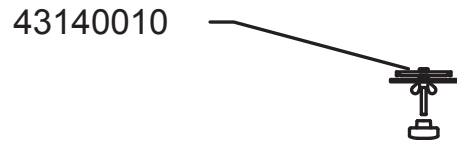
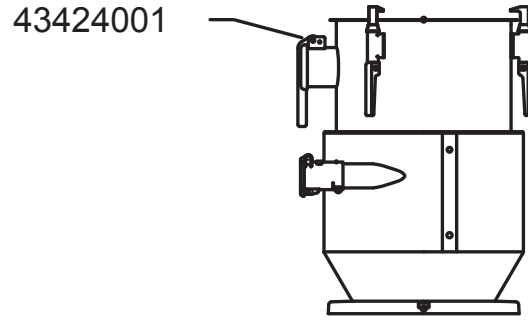
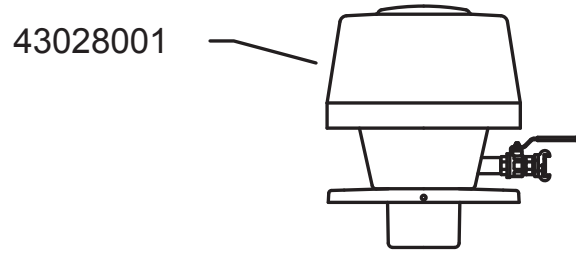
EN MODEL SPECIFICATION AND SPARE PARTS

Model Specification

Description: 216A – NE74, S50 wo/accessories

Model: 42121684

Code no.	Description	Qty.	Page
43028001	NE74, S50	1	4
43120200	Absolute filter L=220 A=1.56m ²	1	-
43140010	Clamp f/cartr.filter M10 L=90 El-Zn	1	-
43332001	Container S50 47l w/ecc fastners	1	5
43424001	Silo S50 w/rev air clean d51	1	6
43723001	Trolley S50 f/silo	1	7



42121684



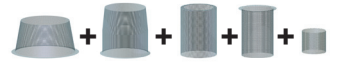
MAX 8 bar



43904201

43937006 

43904202



43905020

43903010




43909001

43937010 

43909008

43610001

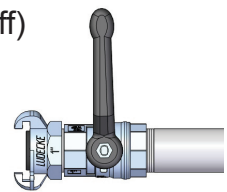
43901052  + 

43621001

43908003

43905008

0 (Off)



1 (On)

