

Air driven ATEX series

**510A EX - NE52, S200, ATEX Ex II 2GD**

42251035

---

**Original manual**

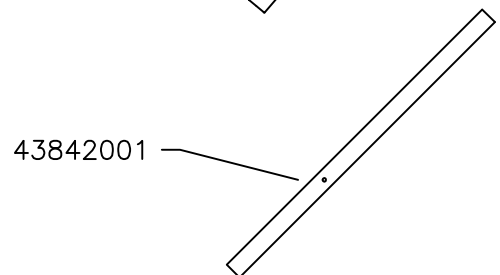
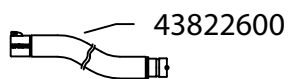
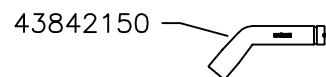
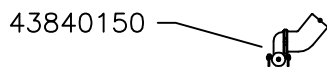
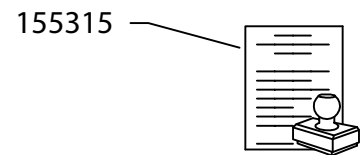
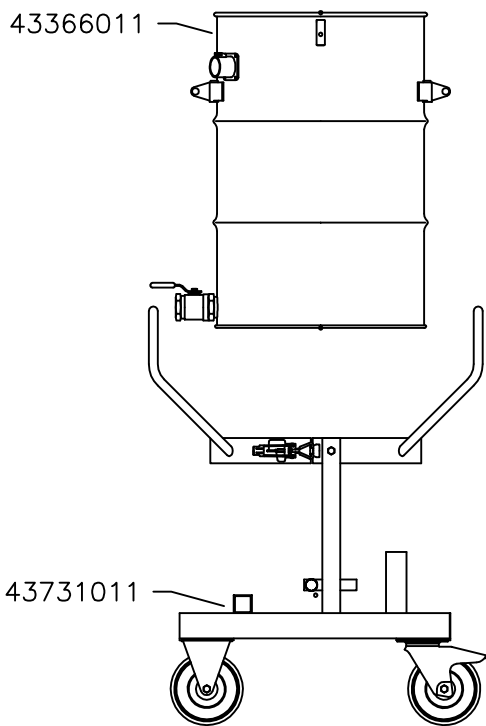
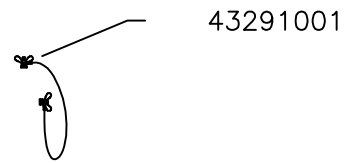
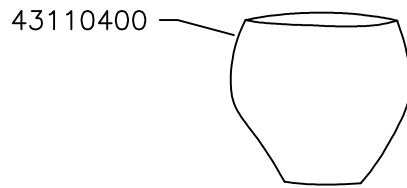
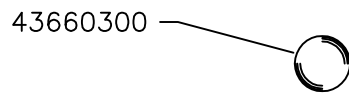
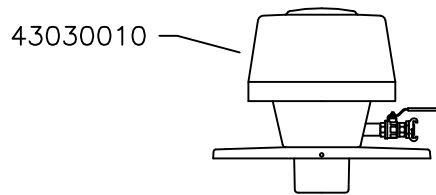
EN MODEL SPECIFICATION AND SPARE PARTS

## Model Specification

**Description:** 510A Ex - NE52, S200, ATEX Ex II 2 GD

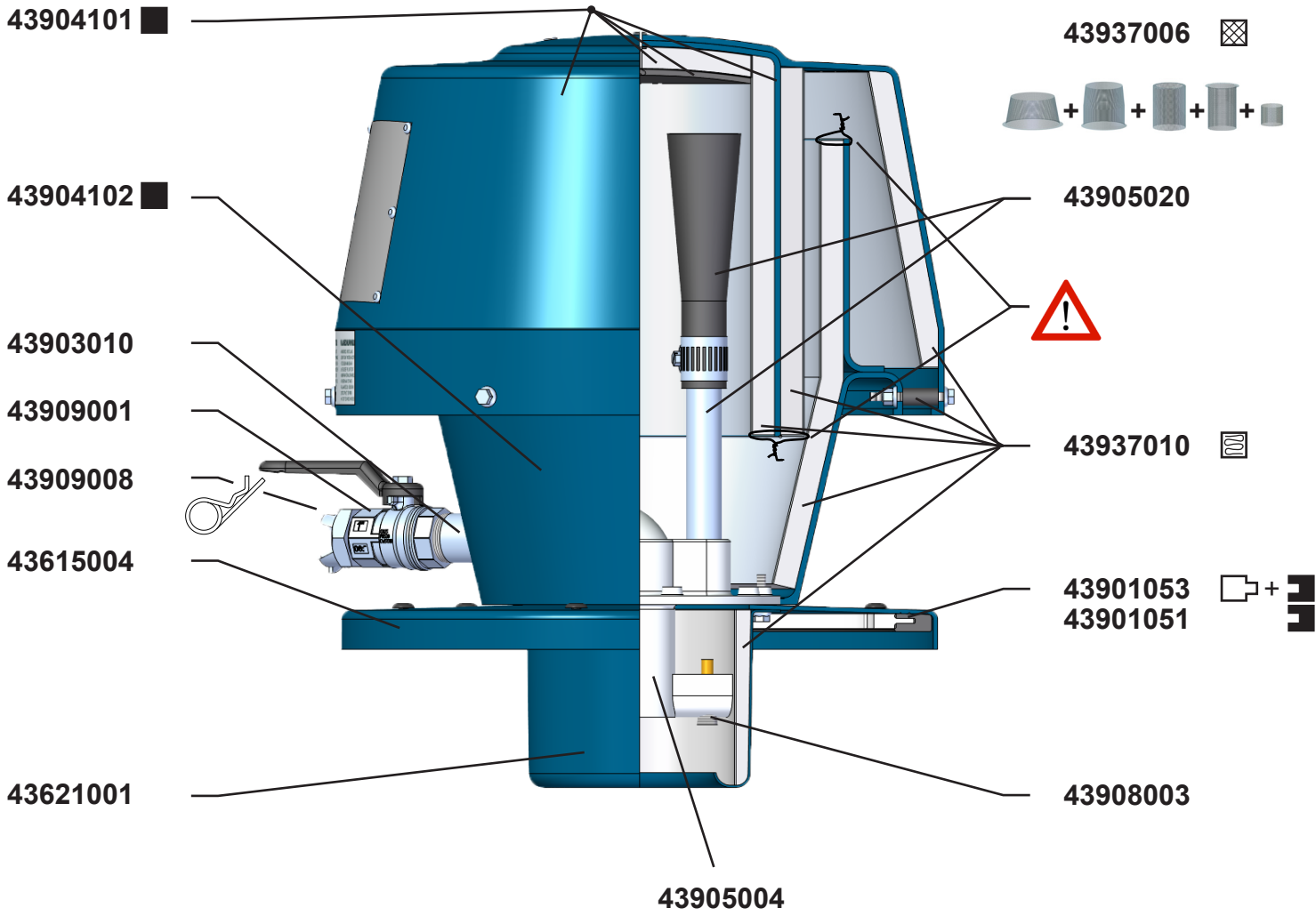
**Model:** 42251035

Code no.	Description	Qty.	Page
43030010	NE52, S200 antistatic,w/hooks	1	4
43110400	Filter bag S200 antistatic	1	-
43291001	Earthingkit	1	-
43366011	Container S200 inlet d51	1	5
43660202	Basket S200 galvanized	1	6
43660300	Float ball S50/200	1	-
43731011	Trolley tippable S200 Antistatic	1	7
43822600	Hose PVC-51 L=7,5m incl couplings	1	-
43840150	Floor suct head d51/500	1	8
43842001	Suction pipe d51 PEHD-el 1m	1	-
43842150	Pipe bend d51 antistatic	1	-
155315	Test protocol Ab510Ex 422510XX	1	-





MAX 8 bar



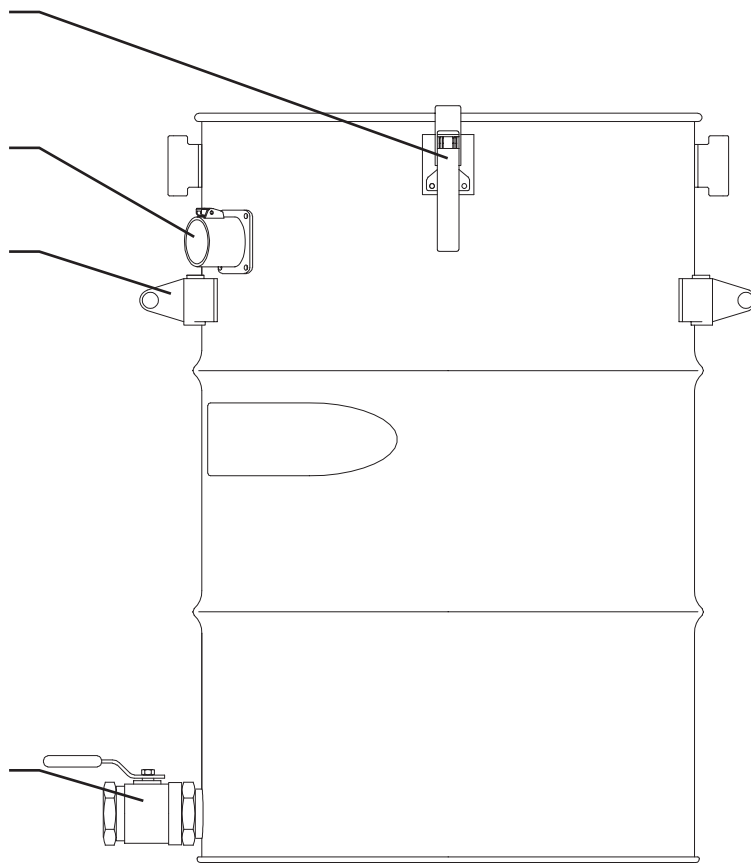


**43999021**

**43999003**

**43999531** ⚠

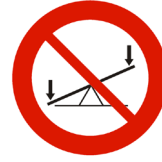
**43909003**





43908004





**43999014**

**43907108** 

**43907107** 

