

Air driven ATEX series

**216A EX - NE42, S50, ATEX Ex II 2GD**

42221625

---

**Original manual**

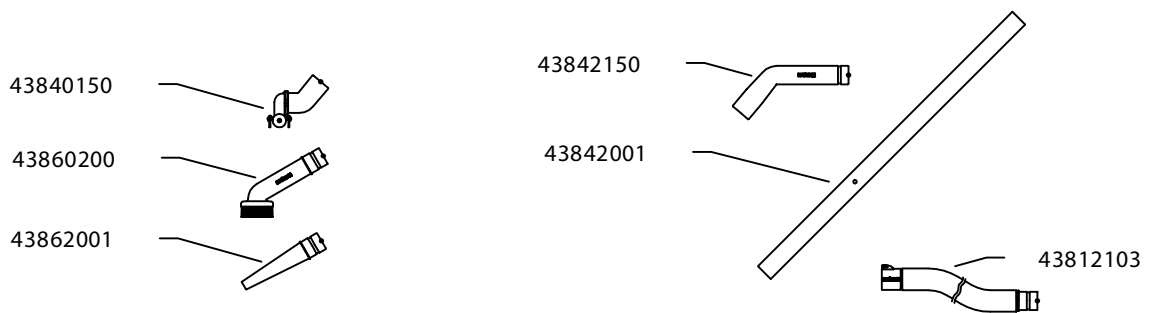
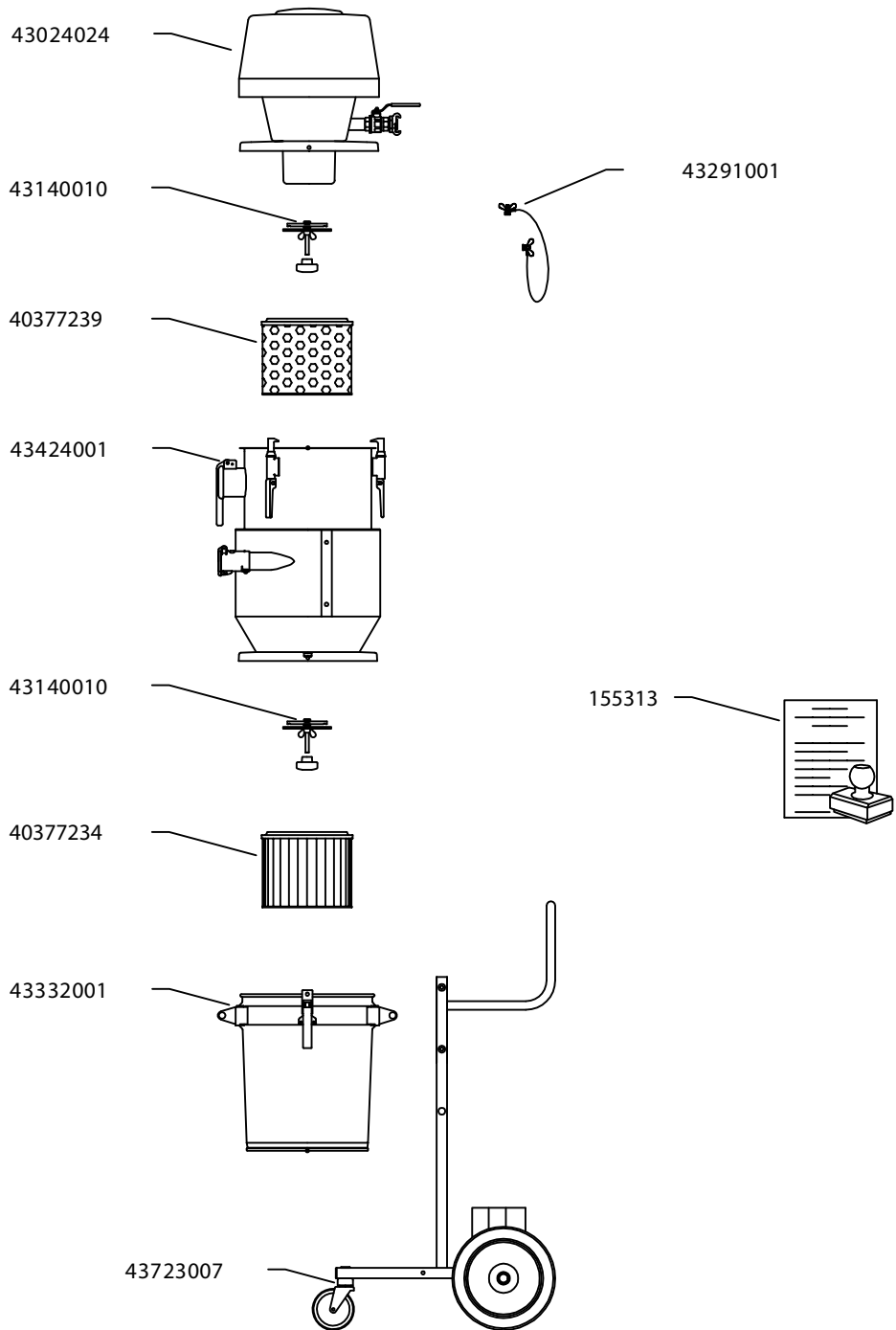
EN MODEL SPECIFICATION AND SPARE PARTS

## Model Specification

**Description:** 216A EX - NE42, S50, ATEX Ex II 2 GD

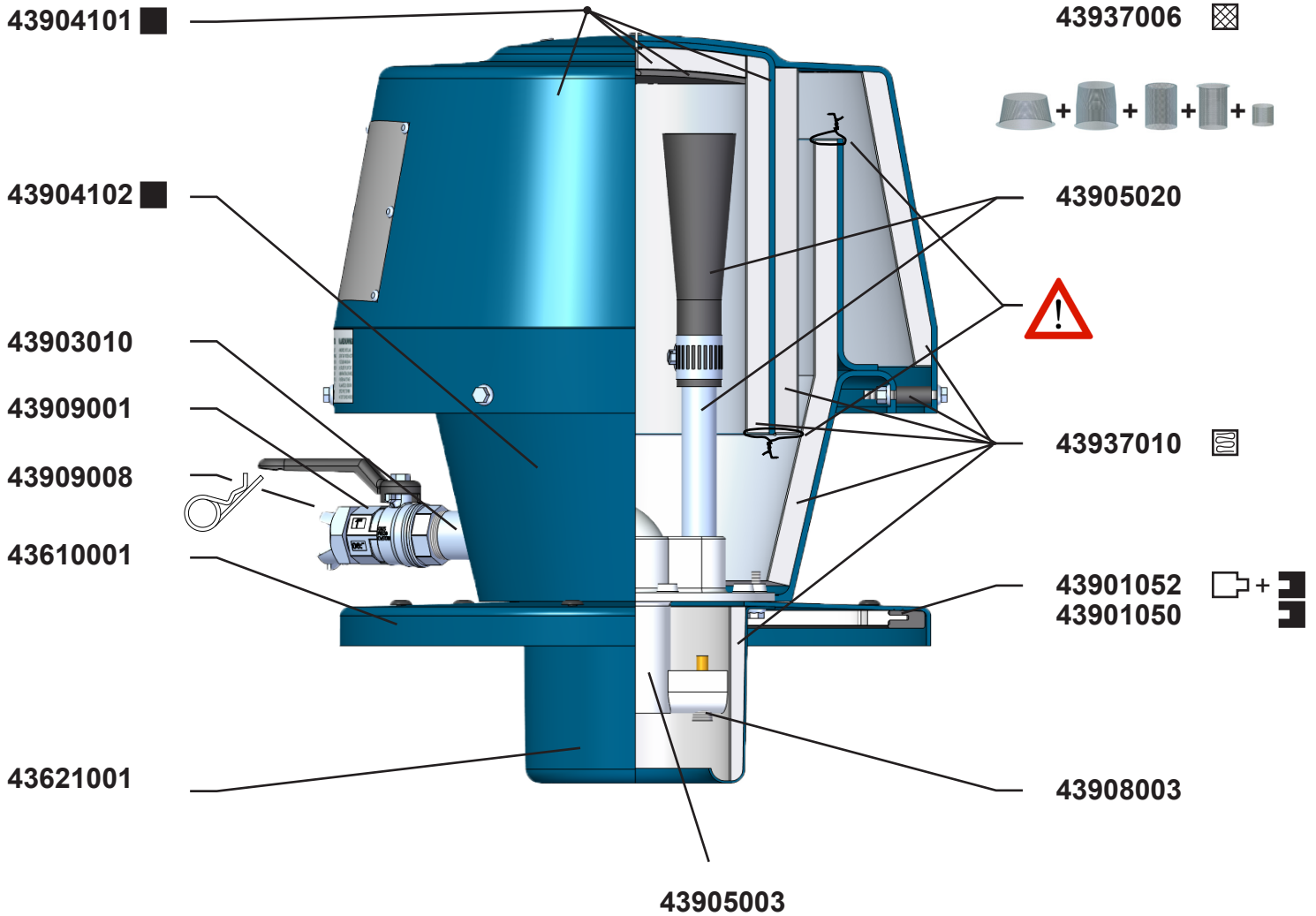
**Model:** 42221625

Code no.	Description	Qty.	Page
43024024	NE42, S50 antistatic	1	4
40377234	Cartridge filter L=220 A=2.38m <sup>2</sup>	1	-
40377239	Absolute filter L=220 A=1.56m <sup>2</sup> w/pe	1	-
43140010	Clamp f/cartr.filter M10 L=90 El-Zn	2	-
43291001	Earthingkit	1	-
43332001	Container S50 47l w/ecc fastners	1	5
43424001	Silo S50 w/rev air clean	1	6
43723007	Trolley S50 f/silo	1	7
43812103	Hose PE/C-51 L=7,5m	1	-
43840150	Floor suct head d51/500	1	8
43842001	Suction pipe d51 PEHD-el 1m	1	-
43842150	Pipe bend d51 antistatic	1	-
43860200	Brush nozzle d51 soft	1	-
43862001	Conical nozzle d51	1	-
155313	Test protocol Ab216Ex 422216XX	1	-





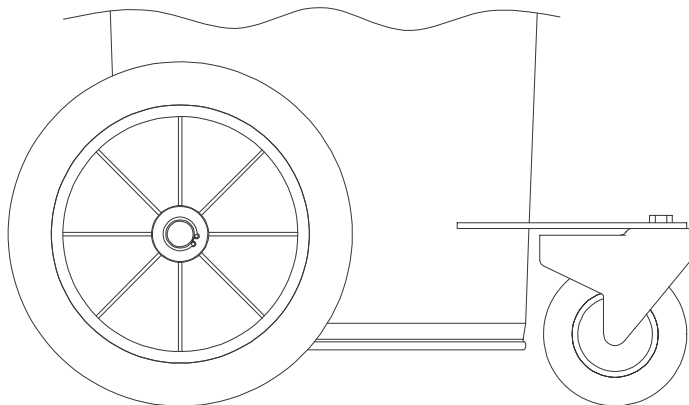
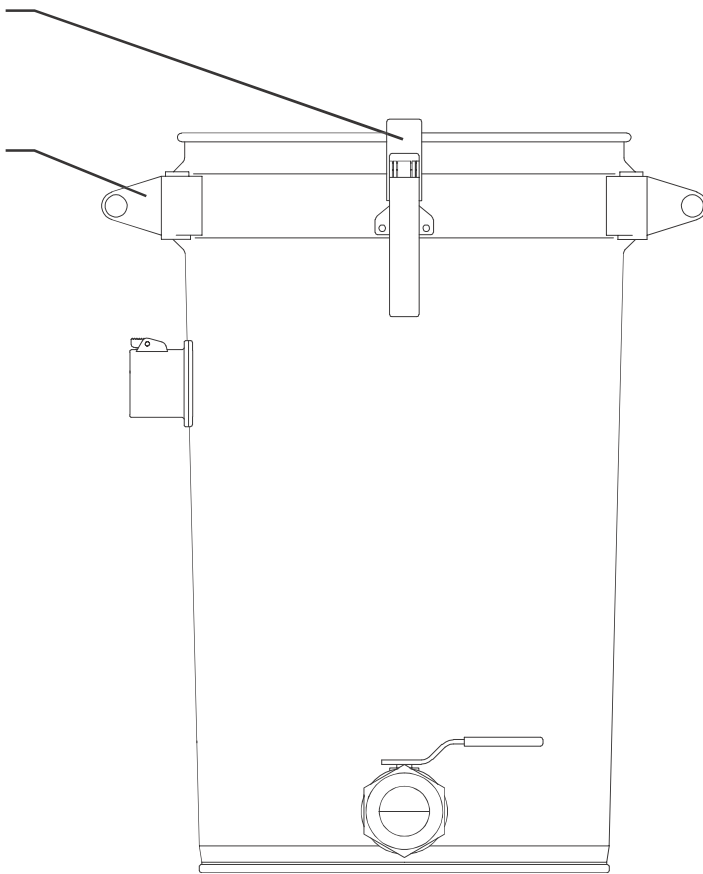
MAX 8 bar

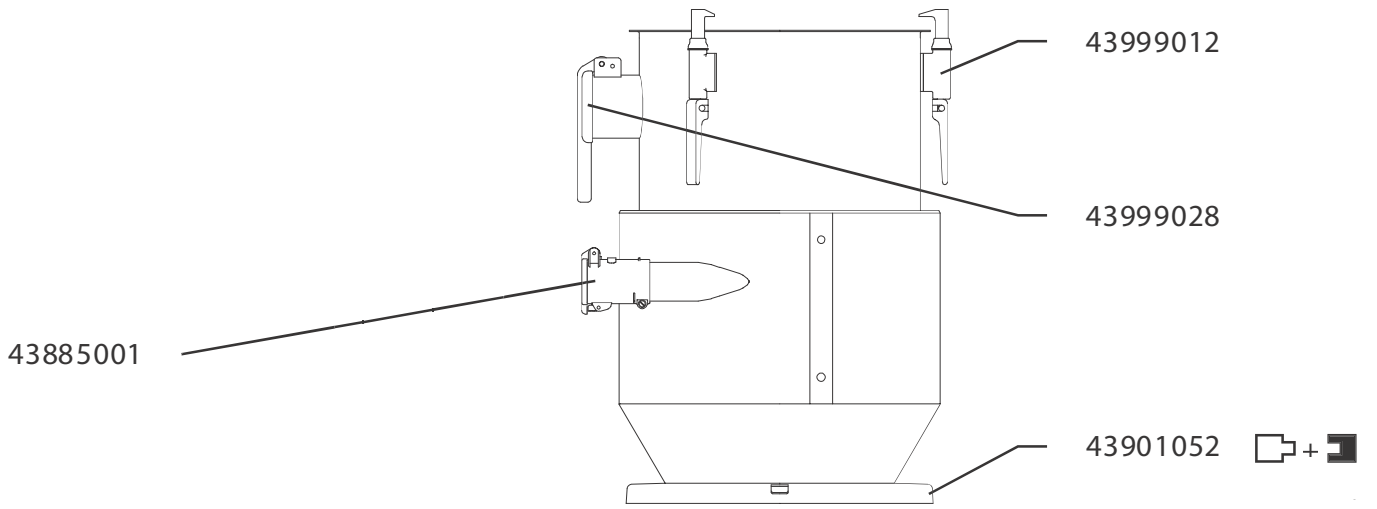




43999021

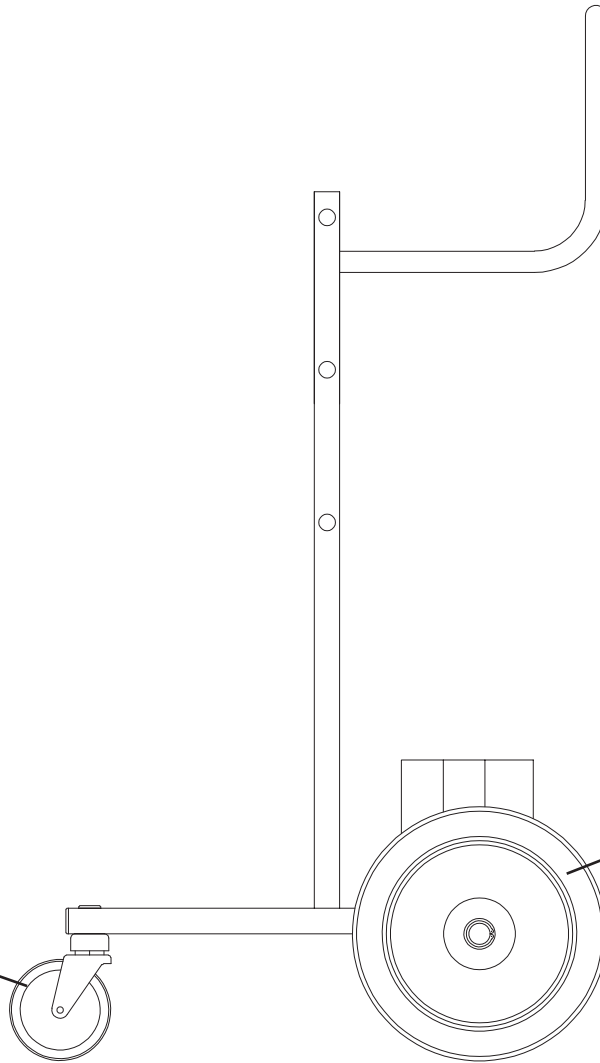
43999531







43907104 



43907015 



43907001

43999007

43902011

